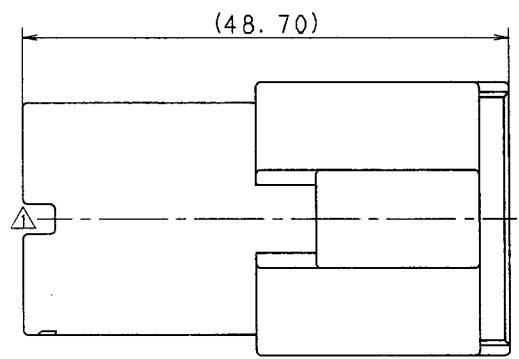


1

2

3

SUB ASSEMBLY PART NO. AND CH. CODE	NO.	PART NO. AND CH. CODE	MATERIAL
7222-6234-40. $\square$	①	7122-6234-40	PBT
	②	7137-2430-80	SILICONE RUBBER

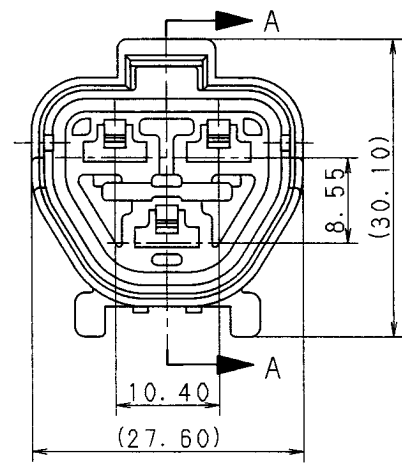
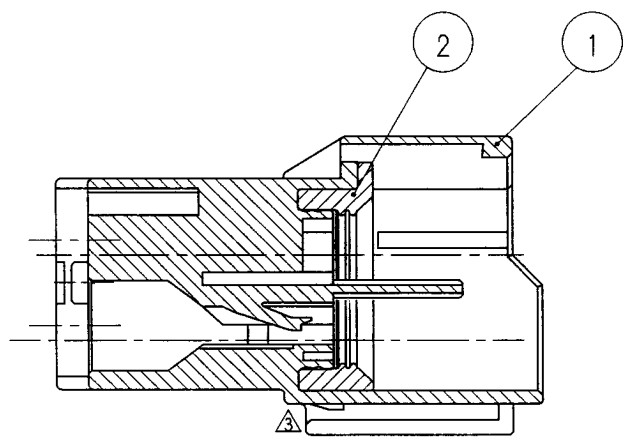


注記

- 1. 嵌合相手品番: 7123-6234-40
- ② 2. 適用端子品番: 7114-2873, 7114-2874 ETC.
- ③ 3. 適用リヤホルダ品番: 7157-6730-30, 7157-6730

NOTES

- 1. MATING PART NO. : 7123-6234-40
- ② 2. APPLICABLE TERMINAL NO. : 7114-2873, 7114-2874 ETC.
- ③ 3. APPLICABLE REAR HOLDER NO. : 7157-6730-30, 7157-6730



ISSUE MARK
------------

③ 00.02.02	CHANGED FORM. $\square$	C00-L145	M. K	CUSTOMER	MATL. SPEC.	SEE TABLE	TREAT. & FIN.	
③ 99.06.18	CHANGED NOTE	C99-L831	O. S	CUSTOMER PART NO.	CUSTOMER DWG NO.			
③ 89.06.19	CHANGED FORM	C89-6971	M. K					
87.11.12	NEW	7MC-4118	T. M	OFFICE	TRIAL PART NO.			
LET	DATE	REVISION RECORD NO.	CHKD	VENDOR				
GENERAL TOLERANCE				VENDOR NO.				
	10MAX	50MAX	100MAX	250MAX	2500VR	ANGLE	ECCENT	
A	$\pm 0.15$	$\pm 0.2$	$\pm 0.3$	$\pm 0.5$	$\pm 0.75$	$\pm 30'$	0.1	
B	$\pm 0.2$	$\pm 0.3$	$\pm 0.55$	$\pm 0.95$	$\pm 1.4$	$\pm 30'$	0.1	
C	$\pm 0.3$	$\pm 0.5$	$\pm 0.8$	$\pm 1.4$	$\pm 2$	$\pm 30'$	0.15	
SPECIFIED							MASS	
							g	00-02.14
				APPROVED	CHECKED	CHECKED	DESIGN	
				<i>HT</i>	—	<i>極小</i>	T. MASUDA	
							T. YOSHIDA	
							池谷	
				00.02.14		'00.02.14	87.11.12	
							00.02.02	
PART NO. CH. CODE						7222-6234-40. $\square$		
DWG NO.						7222-6234-40:R		
SET DWG NO.								
YAZAKI CORPORATION								

1

2

3

