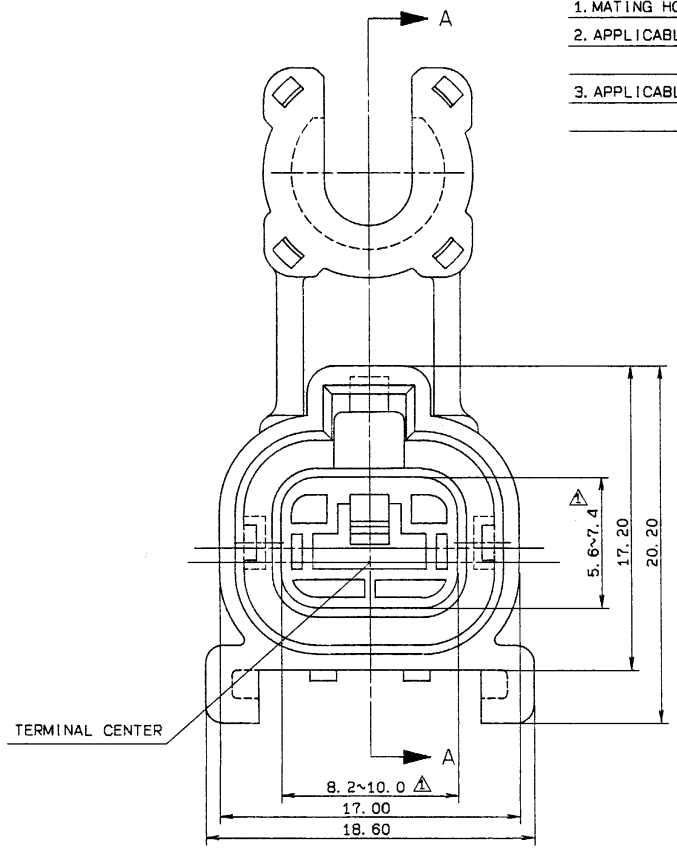
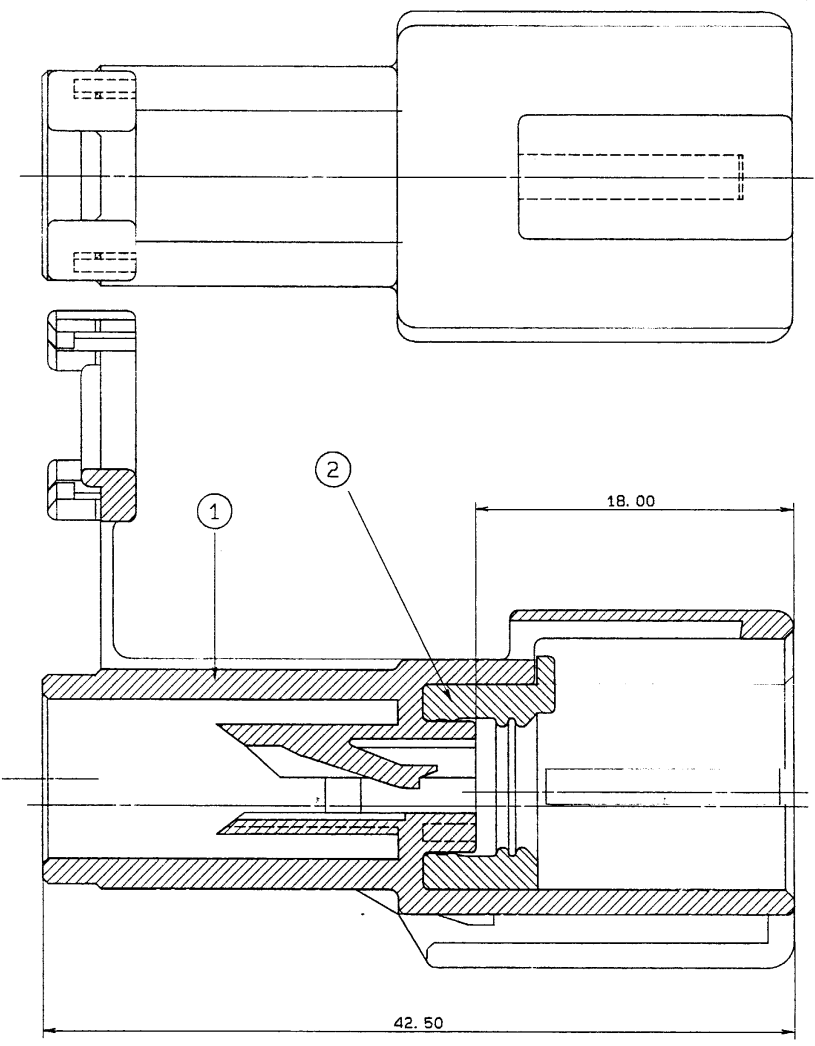


SUB ASS'Y PART NO.	SUB ASS'Y NAME	NO.	PART NO.	NAME	MATL.	COLOR
7222-6214-40	X-TYPE CONNECTOR 1P-M ASS'Y	①	7122-6214-40	X-TYPE CONNECTOR HOUSING 1P-M(GY)	PBT	GRAY
		②	7137-2410-80	X-TYPE CONNECTOR 1P PACKING	SILICONE RUBBER	BROWN

- 注記
- 適合ハウジング品番: 7123-6214-40
  - 適用ターミナル品番: 7114-2873, -2874
  - 適用ゴムパッキン品番: 7157-3570, -3571-80

- △ NOTES
- MATING HOUSING NO. : 7213-6214-40
  - APPLICABLE TERMINAL NO. : 7114-2873  
: 7114-2874
  - APPLICABLE SEAL RUBBER NO. : 7157-3570  
: 7157-3571-80



LET	DATE	REVISION RECORD	NO.	CHKD
△	90.10.29	ADDED ENGLISH NOTES	C90-7576	M. K
△	87.11.25	CHANGED DIM.	7MC-4120	T. M
	87.02.27	NEW	7MC-4027	T. M

GENERAL TOLERANCE						
	10MAX	50MAX	100MAX	250MAX	2500VR	ANGLE
A	±0.15	±0.2	±0.3	±0.5	±0.75	±30'
B	±0.2	±0.3	±0.55	±0.95	±1.4	±30'
◎	±0.3	±0.5	±0.8	±1.4	±2	±30'

CUSTOMER		MATL. SPEC.	TREAT. & FIN.
CUSTOMER PART NO.	CUSTOMER DWG NO.		
OFFICE	STDLIB NO.	NAME X TYPE CONNECTOR ASS'Y	
VENDOR	VENDOR NO.	1PM(GY)	
PART NO. 7222-6214-40		TRIAL PART NO.	
DWG NO. 7222-6214-40:R		YAZAKI CORPORATION	