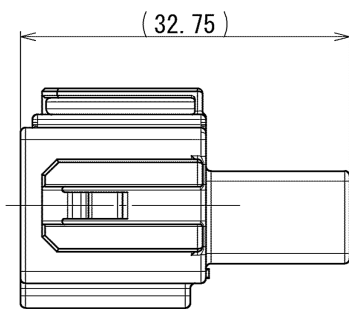
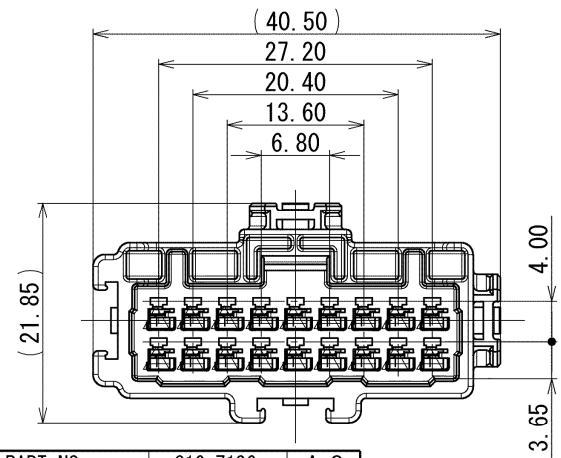
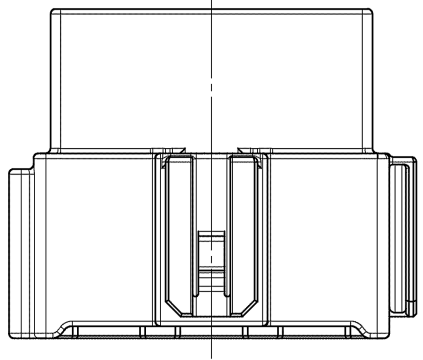


GENERAL TOLERANCE											
	10 MAX	50 MAX	100 MAX	250 MAX	250 OVR	R5 MAX	R10 MAX	R20 MAX	R20 OVR	ANGLE	ECCENT
A	±0.15	±0.2	±0.3	±0.5	±0.75					±3°	0.1
B	±0.2	±0.3	±0.55	±0.95	±1.4	±0.2	±0.3	±0.5	±2.5	±3°	0.1
◎	±0.3	±0.5	±0.8	±1.4	±2					±3°	0.15



△	PART NO. AND CH. CODE	MATERIAL	COLOR
△2	7186-8851, [A]	PBT	NATURAL
△2	7186-8851-60, [A]		GREEN
△3	7186-8851-30, [A]		BLACK
△3	7186-8851-80, [A]		BROWN
△4	7186-8851-90, [A]		BLUE

注記

- 1. かん合相手品番 : 7187-8856 ETC.
- 2. 適用端子品番 : 7114-7386-02 ETC.

NOTES

- 1. MATING PART NO. : 7187-8856 ETC.
- 2. APPLICABLE TERMINAL PART NO. : 7114-7386-02 ETC.

△4	2016/02/04	ADDED PART NO.	C16-Z126	A. Q
△3	2015/04/07	ADDED COLOR PART NO.	C15-Z136	A. Q
△2	2014/09/16	ADDED COLOR NO. , ETC.	C14-Z544	A. Q
△1	2012/01/11	CHANGED FORM, [A]	C12-Z053	J. C
	2011/12/01	NEW	C11-Z971	J. C
LET	DATE	REVISION RECORD	NO.	CHKD

CUSTOMER		MATL. SPEC.	△SEE TABLE		TREAT. & FIN.
CUSTOMER PART NO.		CUSTOMER DWG NO.		NAME 060 18P HLC HOUSING MALE	
OFFICE		TRIAL PART NO.		VENDOR	
VENDOR		VENDOR NO.		ISSUE MARK	

GENERAL TOLERANCE													
	10MAX	50MAX	100MAX	250MAX	250OVR	ANGLE	ECCENT	DWG TYPE	DWG SOURCE	DWG DATE	UNIT	SCL	ANGLE
A	±0.15	±0.2	±0.3	±0.5	±0.75	±30'	0.1	R	NEW	2011/12/01	mm	2:1	3
B	±0.2	±0.3	±0.55	±0.95	±1.4	±30'	0.1	APPROVED	CHECKED	CHECKED	DESIGN	DRAWN	
C	±0.3	±0.5	±0.8	±1.4	±2	±30'	0.15	T. MATSUNAGA			K. MATSUMURA	A. QUIROL	
SPECIFIED							MASS	2016/02/04			2011/09/05	2016/02/04	

PART NO. CH. CODE	△7186-8851 ETC.		SET DWG NO.
DWG NO.	7186-8851:R		
YAZAKI CORPORATION			

1

2

3

