

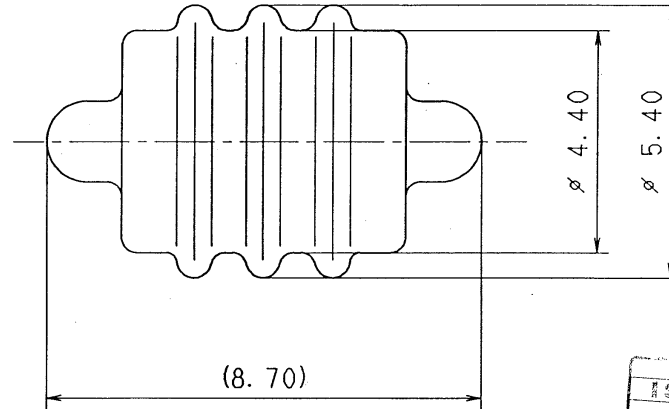
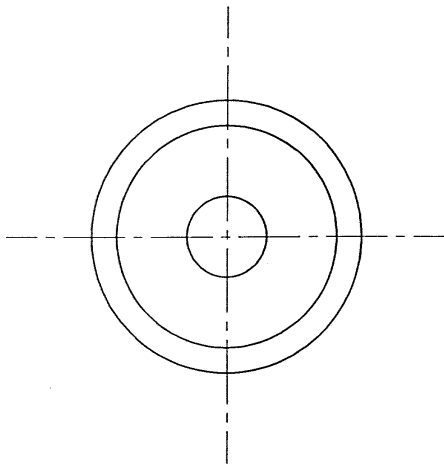
1

2

3

NOTES

- 1. MATERIAL: SILICONE RUBBER  
COLOUR: GREEN (RAL 6010)
- 2. APPLICABLE FOR CAVITY DIAMETER 4.80mm.
- 3. RUBBER PARTS GENERAL TOLERANCE ±0.2mm.



ISSUED  
KCT 826

ISSUED  
24 FEB 1999  
TO:

ISSUE MARK

										CUSTOMER			MATL. SPEC.			TREAT. & FIN.		
										CUSTOMER PART NO.			CUSTOMER DWG NO.			NAME 1.5 SEALED SYSTEM CONNECTOR		
										OFFICE YKE			TRIAL PART NO.			BLIND PLUG		
										VENDOR			7F9457-9345			PART NO. 7158-3032-60		
										VENDOR NO.						CH. CODE 7158-3032-60:R		
GENERAL TOLERANCE										DWG TYPE			DWG DATE			DWG NO.		
										R			NEW			DESIGN		
										APPROVED			CHECKED			DRAWN		
										TOMITA			NOETHEN			YAZAKI CORPORATION		
SPECIFIED										99.02.23			99.02.23			99/02/23		
										95/01/20			99/02/22					

LET	DATE	REVISION RECORD	NO.	CHKD	10MAX	50MAX	100MAX	250MAX	2500VR	ANGLE	ECCENT
	99/02/23	NEW	C99-E013	G. N.	±0.15	±0.2	±0.3	±0.5	±0.75	±30'	0.1
					±0.2	±0.3	±0.55	±0.95	±1.4	±30'	0.1
					±0.3	±0.5	±0.8	±1.4	±2	±30'	0.15