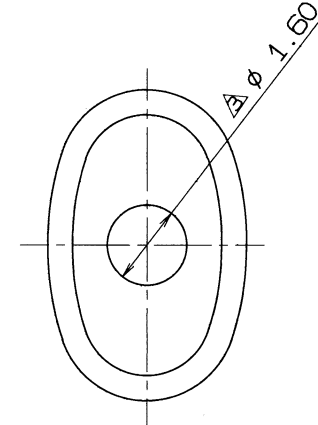
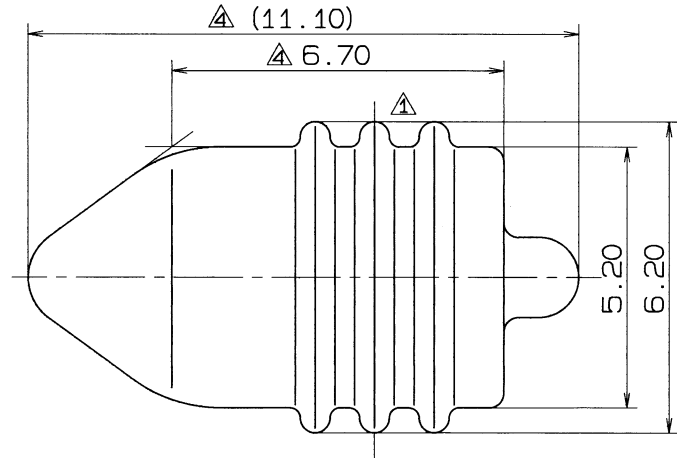
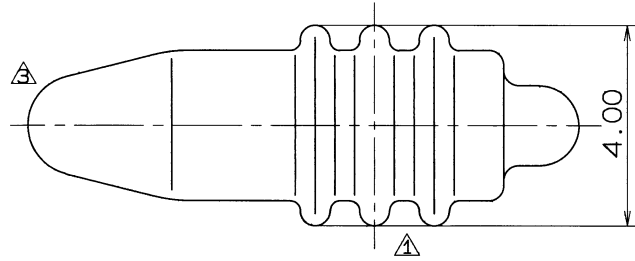


1

2

3

RUBBER PART GENERAL TOLERANCE				
PART DIM.	1	2	③	
0 TO 3	± 0.2	± 0.3	± 0.4	
3 TO 6	± 0.2	± 0.4	± 0.5	
6 TO 10	± 0.3	± 0.5	± 0.6	
10 TO 18	± 0.3	± 0.6	± 0.8	
18 TO 30	± 0.4	± 0.8	± 1.0	
30 TO 50	± 0.5	± 1.0	± 1.5	
50 TO 80	± 0.6	± 1.2	± 2.0	
80 TO 120	± 0.7	± 1.4	± 2.5	
120 TO 180	± 0.8	± 1.6	± 3.0	
180 TO 250	± 1.0	± 2.0	± 4.0	
250 TO 315	± 1.2	± 2.5	± 5.0	
315 TO 400	± 1.5	± 3.0	± 6.0	
400 TO 500	± 1.8	± 3.5	± 7.0	
500 OVER	± 0.4 %	± 0.8 %	± 1.5 %	



注記  
 1. 適用ハウジング品番 : 7182-8710-30~7182-8780-30  
 : 7283-8710-30~7283-8780-30  
 2. 材質 : シリコンゴム (ベンガラ)

NOTES  
 1. APPLICABLE HOUSING NO.: 7182-8710-30~7182-8780-30  
 : 7283-8710-30~7283-8780-30  
 2. MATERIAL : SILICONE RUBBER (RED IRON)

B

B

A

A

△ 95.12.13	CHANGED FORM	C95-N069	H.K							ISSUE MARK	
△ 95.10.04	CHANGED FORM, B	C95-M607	Y.Y	CUSTOMER		MATERIAL SPEC.		SEE NOTES		TREAT. & FIN.	
△ 95.03.06	CHANGED COLOR, A	C95-L456	K.S	CUSTOMER PART NO.		CUSTOMER DWG NO.		NAME		SSD CONNECTOR	
△ 92.10.07	CHANGED FORM & RENEW	C92-6992	M.A	OFFICE		TRIAL PART NO.		PLUGGING RUBBER STOPPER			
90.09.25	NEW	C90-L993	S.I	VENDOR		VENDOR NO.		PART NO.		△7157-3952-80, B	
LET	DATE	REVISION RECORD	NO.	CHKD	APPROVED		CHECKED	CHECKED	DESIGN	DRAWN	DWG NO.
GENERAL TOLERANCE				DWG TYPE		DWG SOURCE	DWG DATE	UNIT	SCL	ANGLE	
A	±0.15	±0.2	±0.3	±0.5	±0.75	±30'	0.1	R	NEW	90.08.03	mm
B	±0.2	±0.3	±0.55	±0.95	±1.4	±30'	0.1	APPROVED	CHECKED	CHECKED	DESIGN
C	±0.3	±0.5	±0.8	±1.4	±2	±30'	0.45	手帳	久利	鯉島	ISHIZUKA
SPECIFIED				MASS		g		95.12.19		95.12.18	
								90.08.03		95.12.13	
										SATOH	
										N. SATO	
										YAZAKI CORPORATION	

1

2

3

