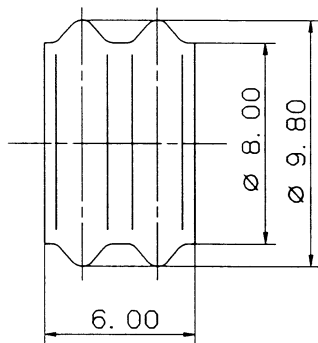
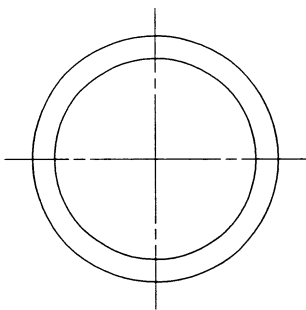


1

2

3

RUBBER PART GENERAL TOLERANCE			
PART DIM.	1	②	3
0 TO 3	± 0.2	± 0.3	± 0.4
3 TO 6	± 0.2	± 0.4	± 0.5
6 TO 10	± 0.3	± 0.5	± 0.6
10 TO 18	± 0.3	± 0.6	± 0.8
18 TO 30	± 0.4	± 0.8	± 1.0
30 TO 50	± 0.5	± 1.0	± 1.5
50 TO 80	± 0.6	± 1.2	± 2.0
80 TO 120	± 0.7	± 1.4	± 2.5
120 TO 180	± 0.8	± 1.6	± 3.0
180 TO 250	± 1.0	± 2.0	± 4.0
250 TO 315	± 1.2	± 2.5	± 5.0
315 TO 400	± 1.5	± 3.0	± 6.0
400 TO 500	± 1.8	± 3.5	± 7.0
500 OVER	± 0.4 %	± 0.8 %	± 1.5 %

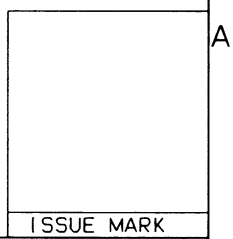


注記

1. 適用口本ワケ品番: 7122-6224-40 ETC.
: 7223-6224-40 ETC.

NOTE

1. APPLICABLE PART NO. : 7122-6224-40 ETC.
: 7223-6224-40 ETC.



										CUSTOMER		MATL. SILICONERUBBER		TREAT.													
										CUSTOMER PART NO.		CUSTOMER DWG NO.		SPEC. (BROWN)		& FIN.											
										OFFICE		STDLIB NO.		NAME X TYPE CONNECTOR													
										VENDOR		VENDOR NO.		RUBBER STOPPER													
GENERAL TOLERANCE										DWG TYPE		DWG SOURCE		DWG DATE		UNIT		SCL		ANGLE							
10MAX		50MAX		100MAX		250MAX		250OVR		ANGLE		ECCENT		R		NEW		90.07.25		mm		5/1		3			
A ±0.15		±0.2		±0.3		±0.5		±0.75		±30'		0.1		APPROVED		CHECKED		CHECKED		DESIGN		DRAWN		PART NO. 7157-3572-80			
B ±0.2		±0.3		±0.55		±0.95		±1.4		±30'		0.1		J. Endo		K. Abe		ISHIZUKA		S. IANBA		DWG NO. 7157-3572-80:R		TRIAL PART NO.			
C ±0.3		±0.5		±0.8		±1.4		±2		±30'		0.15		90.7.25		90.7.25		83.01.07		90.07.25		YAZAKI CORPORATION					
SPECIFIED RUBBER PART GENERAL TOLERANCE 2										WEIGHT		9															

1

2

3