

RUBBER PART GENERAL TOLERANCE				
PART DIM.	1	2	③	
0 TO 3	± 0.2	± 0.3	± 0.4	
3 TO 6	± 0.2	± 0.4	± 0.5	
6 TO 10	± 0.3	± 0.5	± 0.6	
10 TO 18	± 0.3	± 0.6	± 0.8	
18 TO 30	± 0.4	± 0.8	± 1.0	
30 TO 50	± 0.5	± 1.0	± 1.5	
50 TO 80	± 0.6	± 1.2	± 2.0	
80 TO 120	± 0.7	± 1.4	± 2.5	
120 TO 180	± 0.8	± 1.6	± 3.0	
180 TO 250	± 1.0	± 2.0	± 4.0	
250 TO 315	± 1.2	± 2.5	± 5.0	
315 TO 400	± 1.5	± 3.0	± 6.0	
400 TO 500	± 1.8	± 3.5	± 7.0	
500 OVER	± 0.4 %	± 0.8 %	± 1.5 %	

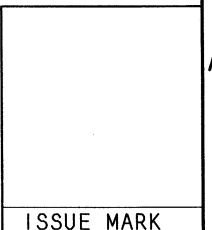
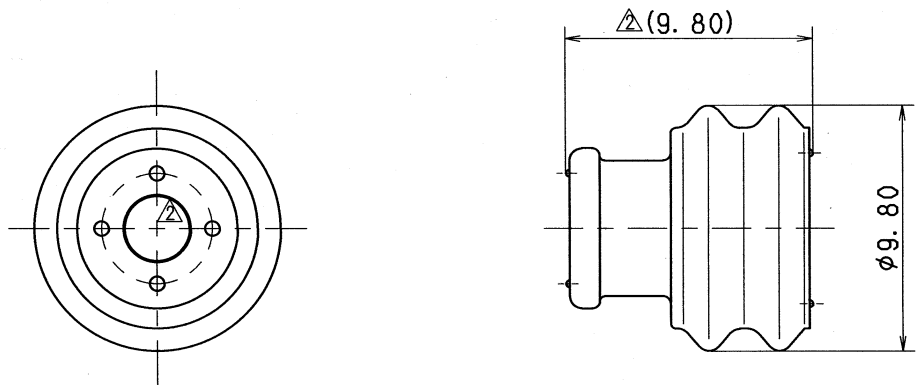
SEAL RUBBER PART NO.	COLOR	APPLICABLE WIRE SIZE
7157-3570	BLACK	(AVS) (AVS) AV 0.5 ~ AV 1.25
7157-3571-80	BROWN	(AVS) AV 2 ~ AV 3

△ 注

- 1) 適用ターミナル品番: 7114-2873 ETC.
: 7116-2873 ETC.
- 2) 適用ハウジング品番: 7122-6224-40, 7223-6224-40 ETC.

△ NOTES

- 1) APPLICABLE TERMINAL PART NO: 7114-2873 ETC.
: 7116-2873 ETC.
- 2) APPLICABLE HOUSING NO. : 7122-6224-40, 7223-6224-40 ETC.



				CUSTOMER				MATL. SPEC. △ SILICONE RUBBER				TREAT. & FIN.			
				CUSTOMER PART NO.				CUSTOMER DWG NO.							
△	05/02/09	CHANGED TOLERANCE ETC.		C05-Z201	K. I					NAME X-TYPE CONNECTOR					
△	90/07/20	RENEW		C90-6847	A. H	OFFICE				TRIAL PART NO.					
LET	DATE	REVISION RECORD		NO.	CHKD	VENDOR				SEAL RUBBER					
GENERAL TOLERANCE						VENDOR NO.									
	10MAX	50MAX	100MAX	250MAX	250OVR	ANGLE	ECCENT	DWG TYPE	DWG SOURCE	DWG DATE	UNIT	SCL	ANGLE	PART NO.	7157-3570 ETC.
A	±0.15	±0.2	±0.3	±0.5	±0.75	±30'	0.1	R	RENEW	90/07/02	mm	5:1	3	CH. CODE	
B	±0.2	±0.3	±0.55	±0.95	±1.4	±30'	0.1	APPROVED	CHECKED	CHECKED	DESIGN	DRAWN	DWG NO.	7157-3570:R	SET DRW NO.
C	±0.3	±0.5	±0.8	±1.4	±2	±30'	0.15	杉山 池谷謙 105.02.14 05.02.14 05.02.14		ISHIZUKA	D. GABRIEL	YAZAKI CORPORATION			
SPECIFIED						MASS		9		83/01/06		05/02/09			

1

2

3

