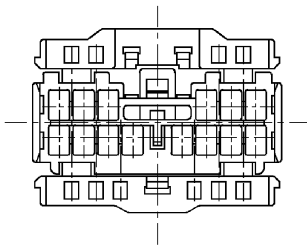
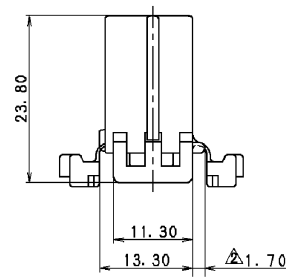
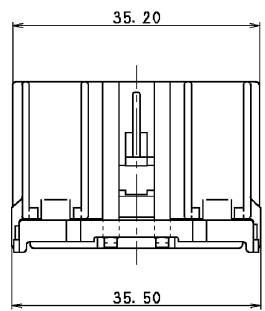
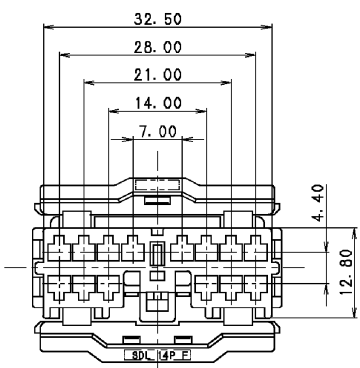


YAZAKI PART NO.	COLOR
7123-8346	NATURAL
7123-8346-30	BLACK
7123-8346-80	BROWN

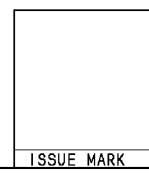


注 記

1. かん合相手は、7122-8346 ETC.
2. 使用ターミナルは、7116-1473, 7116-1473-08.
7116-1474, 7116-1474-08.

NOTES

1. MATCHING HOUSING NO. :7122-8346 ETC.
2. MATCHING TERMINAL NO. 7116-1473, 7116-1473-08.
7116-1474, 7116-1474-08.



LET	DATE	REVISION RECORD	NO.	CHKD
△	10.11.15	CHANGED PART NAME	C10-ZA96	R. M
△	08.11.21	ADDED DIMENSION AND ETC.	C08-Z831	E. S
△	91.01.14	ADDED PART NO. & RENEW	C91-6039	S. I
	88.02.24	NEW	BMC-0255	H. T

GENERAL TOLERANCE							
	10MAX	50MAX	100MAX	250MAX	2500VR	ANGLE	ECCENT
A	±0.15	±0.2	±0.3	±0.5	±0.75	±30'	0.1
B	±0.2	±0.3	±0.55	±0.95	±1.4	±30'	0.1
◎	±0.3	±0.5	±0.8	±1.4	±2	±30'	0.15

CUSTOMER		P. B. T		MTRL. SPEC.		TREAT. & FIN.	
CUSTOMER PART NO.		CUSTOMER DWG NO.		NAME		△SDL TYPE HOUSING	
OFFICE		STDLIB NO.		NAME		14P FEMALE	
VENDOR		VENDOR NO.		PART NO.		7123-8346 ETC.	
DWG TYPE		DWG SOURCE		DWG DATE		UNIT	
R		NEW		88.02.24		7777 2/1 3	
APPROVED		CHECKED		CHECKED		DESIGN	
S. MI ZUSE		R. CABANGAL		H. SAITOH		R. MAJERANO	
DWG NO.		7123-8346:R		TRIAL PART NO.		087823-4145	
10.11.15		10.11.15		87.12.24		10.11.15	
YAZAKI CORPORATION							