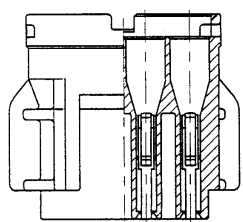
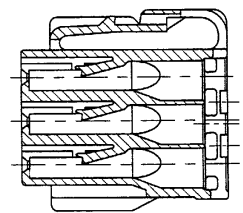
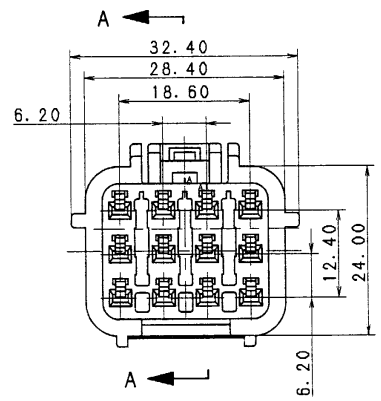
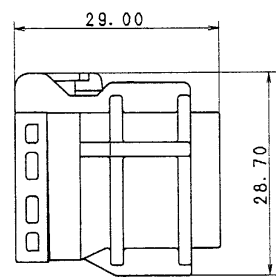
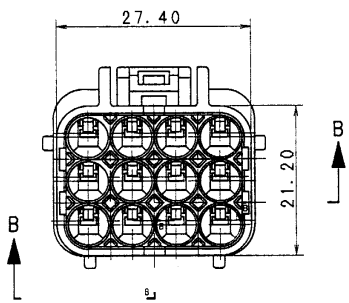
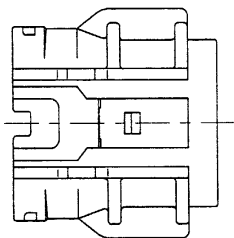


YAZAKI PART NO.	COLOR
7123-7923	NATURAL
7123-7923-30	BLACK
7123-7923-40	GRAY

注記
 △ 1) 適合相手品番: 7222-7923-40 ETC.
 NOTE
 △ 1) MATING PART NO. : 7222-7923-40 ETC.



SEC. B-B

SEC. A-A

ISSUE MARK

LET	DATE	REVISION RECORD	NO.	CHKD
△	96.10.02	ADDED PART NO.	C96-M280	H. K
	88.04.22	NEW	8MC-0452	I. O

GENERAL TOLERANCE								
	10MAX	50MAX	100MAX	250MAX	2500VR	ANGLE	ECCENT	
A	±0.15	±0.2	±0.3	±0.5	±0.75	±30'	0.1	
B	±0.2	±0.3	±0.55	±0.95	±1.4	±30'	0.1	
◎	±0.3	±0.5	±0.8	±1.4	±2	±30'	0.15	
SPECIFIED							MASS	g

CUSTOMER		MATL. SPEC.	TREAT. & FIN.
CUSTOMER PART NO.	CUSTOMER DWG NO.	PBT	
OFFICE	TRIAL PART NO.	NAME SWP-TYPE CONNECTOR	
VENDOR	VENDOR NO.	HOUSING 12P F	
DWG TYPE	DWG SOURCE	DWG DATE	UNIT
R	NEW	88.04.22	mm
APPROVED	CHECKED	CHECKED	DESIGN
	石井 謙	小野田	KODAMA
	88.10.11	96.10.11	88.04.22
PART NO.		7123-7923-40 ETC.	
CH. CODE			
DWG NO.		7123-7923-30:R	
YAZAKI CORPORATION			

1

2

3

4

5