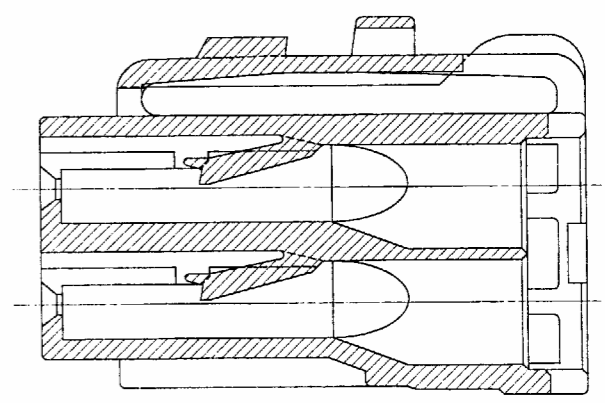
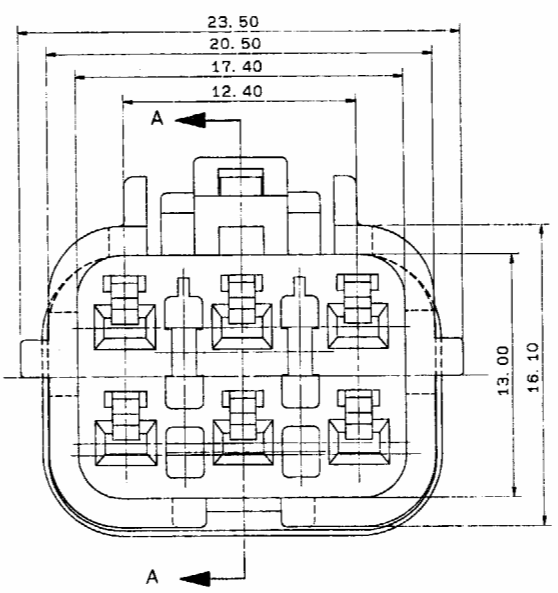
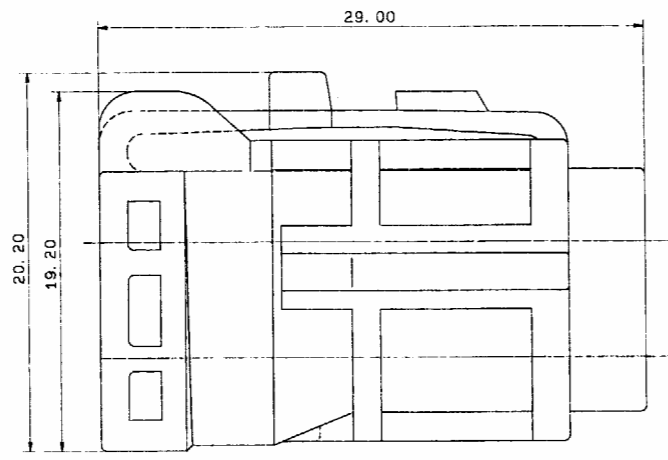
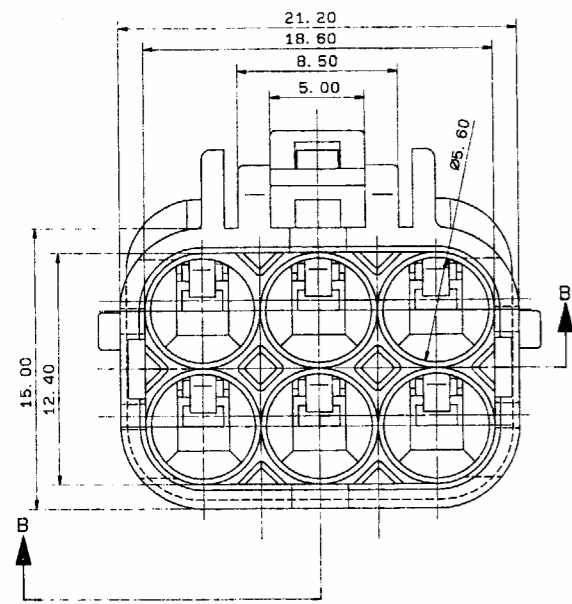
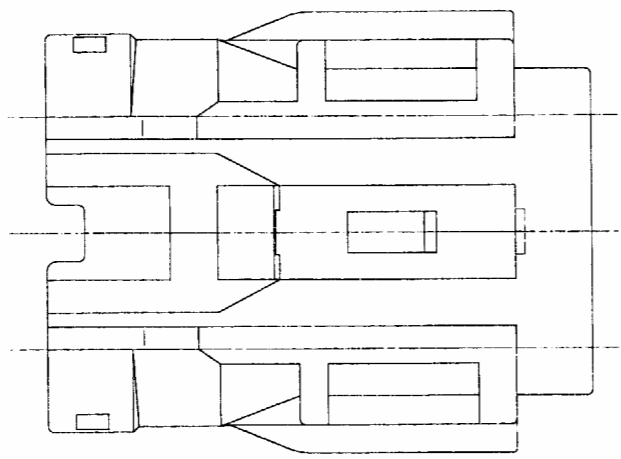
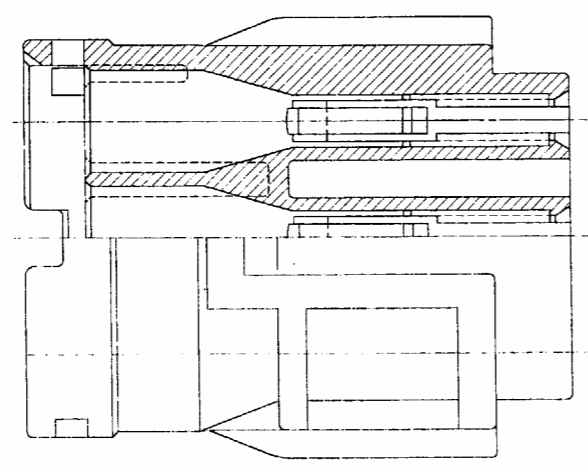


量取区分	YAZAKI. P. NO.	NOTE
量取	7123-7464-30	BLACK
量取	7123-7464-40	GRAY



SEC. A-A



SEC. B-B

LET	DATE	REVISION RECORD	NO.	CHKD
	87.04.11	新設	7MC-0179	S. K

GENERAL TOLERANCE						
	10MAX	50MAX	100MAX	250MAX	250OVR	ANGLE
A	±0.15	±0.2	±0.3	±0.5	±0.75	±30°
B	±0.2	±0.3	±0.55	±0.95	±1.4	±30°
C	±0.3	±0.5	±0.8	±1.4	±2	±30°

CUSTOMER		CUSTOMER DWG. NO.		MATERIAL		TREAT.	
CUSTOMER PART NO.		CUSTOMER DWG. NO.		SPEC.		& FIN.	
OFFICE		STDLIB NO.		NAME			
VENDOR		VENDOR NO.		SWP-TYPE CONNECTOR			
VENDOR NO.		VENDOR NO.		HOUSING 6P F			
DWG TYPE	DWG SOURCE	DWG DATE	UNIT	SCL	ANGLE	PART NO.	
寸	新設	87.04.11	mm	5/1	3	7123-7464-40 ETC.	
APPROVED	CHECKED	CHECKED	DESIGN	DRAWN		DWG NO.	
山田	山田	山田	山田	山田		7123-7464-40-R	
WEIGHT		DATE		DATE		TRIAL PART NO.	
g		87.04.23		87.04.11		086123-0270	
		YAZAKI		YAZAKI		YAZAKI CORPORATION	

ISSUE MARK