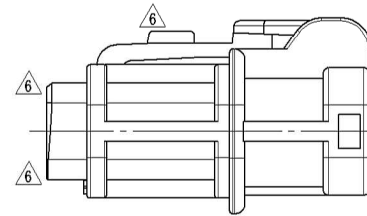
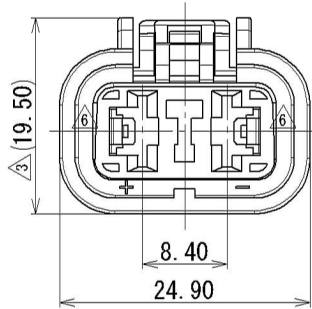
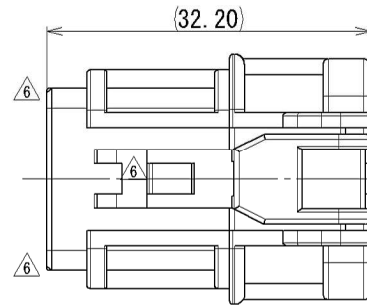


1

2

3

△6 PART NO. AND CH. CODE	△6 PART NAME	COLOR
△6 7123-6423-30, A	X TYPE HOUSING 2PF (B)	BLACK
△6 7123-6423-50, A	X TYPE HOUSING 2PF (OR)	ORANGE



### 注記

- △4 1. かん合相手品番 : 7222-6423-30  
7222-6423-50
- △4 2. 適用端子品番 : 7116-2873, 7116-2874 △1
- △4 3. 適用リヤホルダ品番 : 7157-6720

### △1 NOTES

- △4 1. MATING PART NO. : 7222-6423-30  
7222-6423-50
- △4 2. APPLICABLE TERMINAL PART NO. : 7116-2873, 7116-2874
- △4 3. APPLICABLE REAR HOLDER PART NO. : 7157-6720

△6	2015/03/19	CHANGED FORM ETC. .A	C15-Z048	E. E
△6	2010/11/15	CHANGED PART NAME	C10-ZB06	G. M
△4	2001/06/11	ELIMINATE REAR HOLDER COLOR NO. & CHANGED NOTE	C01-X577	H. Y
△3	2001/02/21	CORRECTED AN ERROR	C01-P163	K. U
△2	1999/04/23	ADDED REAR HOLDER NO.	C99-L600	O. S
△1	1991/01/29	ADD PART NO.	C91-6166	M. K
	1987/12/01	NEW	7MC-4121	M. K
LET	DATE	REVISION RECORD	NO.	CHKD

CUSTOMER	CUSTOMER PART NO.	CUSTOMER DWG NO.
OFFICE	TRIAL PART NO.	
VENDOR	VENDOR NO.	

MATL. SPEC.	PBT	TREAT. & FIN.
NAME	△6 X TYPE HOUSING 2PF	

GENERAL TOLERANCE										PART NO.					
	IOMAX	50MAX	100MAX	250MAX	2500VR	ANGLE	ECCENT	DWG TYPE	DWG SOURCE	DWG DATE	UNIT	SCL	ANGLE	CH. CODE	
A	±0.15	±0.2	±0.3	±0.5	±0.75	±30'	O. 1	R	NEW	1987/12/01	mm	2:1	3	7123-6423-30 ETC.	
B	±0.2	±0.3	±0.55	±0.95	±1.4	±30'	O. 1	APPROVED	CHECKED	CHECKED	DESIGN	DRAWN		7123-6423-30:R	
③	±0.3	±0.5	±0.8	±1.4	±2	±30'	O. 15	T. YAMAWAKI	S. NEMOTO		MATSUNAGA	E. EUGENIO		SET DWG NO.	
SPECIFIED	MASS														
								2015/03/19	2015/03/19		1987/12/01	2015/03/19		YAZAKI CORPORATION	

1

2

3

ISSUE MARK