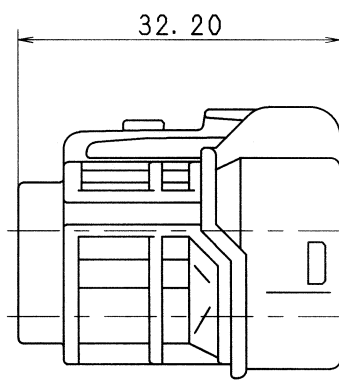
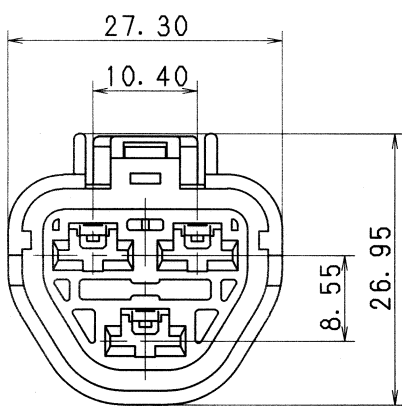
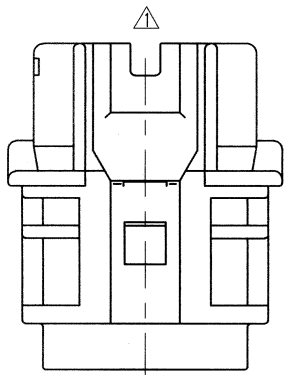


1

2

3

PART NO. AND CH. CODE	COLOR
7123-6234-40	GRAY
\triangle 7123-6234-50	ORANGE

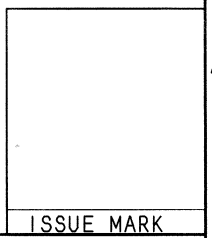


注記

- 1. 嵌合相手品番 : 7222-6234-40, -6530-40
- \triangle 2. 適用端子品番 : 7116-2873, -2874 ETC.
- \triangle 3. 適用リヤホルダ品番 : 7157-6730

NOTES

- 1. MATING PART NO. : 7222-6234-40, -6530-40
- \triangle 2. APPLICABLE TERMINAL NO. : 7116-2873, -2874 ETC.
- \triangle 3. APPLICABLE REAR HOLDER NO. : 7157-6730



\triangle 06/03/09	CORRECTION OF CLERICAL ERROR	C06-Z243	K. U					MATERIAL SPEC.		TREAT. & FIN.						
\triangle 01/06/11	ELIMINATE REAR HOLDER COLOR NO.	C01-X588	H. Y	CUSTOMER				PBT								
\triangle 99/07/19	ADD. REAR HOLDER NO. ETC.	C99-M050	O. S	CUSTOMER PART NO.				CUSTOMER DWG NO.								
\triangle 89/07/10	CHANGED FORM	C89-7100	M. K					NAME \triangle 250 3PF HOUSING \triangle								
87/11/12	NEW	7MC-4118	T. M	OFFICE				TRIAL PART NO.								
LET	DATE	REVISION RECORD	NO.	CHKD	VENDOR											
GENERAL TOLERANCE				VENDOR NO.												
	10MAX	50MAX	100MAX	250MAX	2500VR	ANGLE	ECCENT	DWG TYPE	DWG SOURCE	DWG DATE	UNIT	SCL	ANGLE	PART NO.	7123-6234-40 ETC. \triangle	
A	± 0.15	± 0.2	± 0.3	± 0.5	± 0.75	$\pm 30'$	0.1	R	NEW	89/07/10	mm	2:1	3	CH. CODE		
B	± 0.2	± 0.3	± 0.55	± 0.95	± 1.4	$\pm 30'$	0.1	APPROVED	CHECKED	CHECKED	DESIGN	DRAWN		DWG NO.	7123-6234-40:R	
(C)	± 0.3	± 0.5	± 0.8	± 1.4	± 2	$\pm 30'$	0.15	T. MASUDA		S. SANTOS		DWG NO.		7123-6234-40:R		
SPECIFIED			MASS	g	106.3.10		—		浦野		ROMER GALICA		YAZAKI CORPORATION		SET DWG NO.	
												87/11/12 06/03/09				

1

2

3