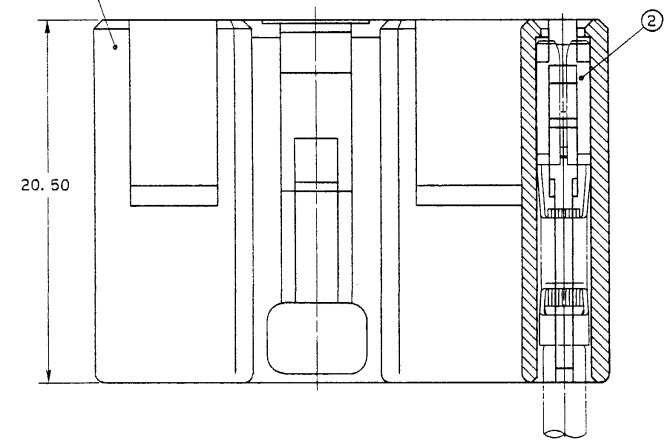
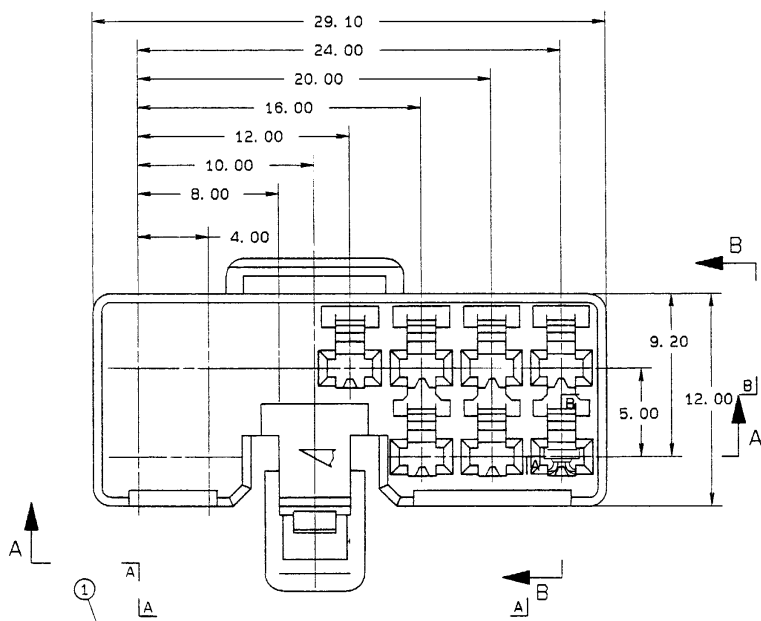


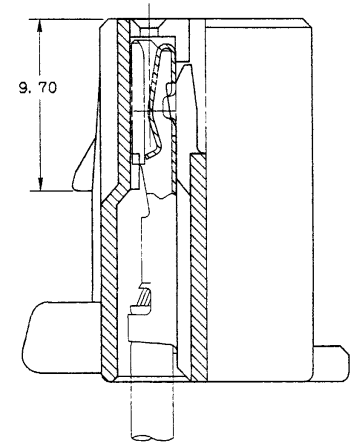
DWG NO.

NO.	YAZAKI NO.	NAME	MATL&SPEC	REMARKS.	LET	DATE	REVISION RECORD	NO.	CHKD
①	7123-1210 ETC.	12P 090 FEMALE HOUSING	NYLON-66			83.08.20	NEW		C83-6081 T. Y
②	7116-1180 ETC.	090 TERMINAL FEMALE	BSR T=0.25	(WIRE SIZE) 0.2-1.25	△	88.04.05	ADDED PART NO.		SMC-0402 H. Y

YAZAKI NO.	COLOR
7123-1210	NATURAL
7123-1210-30	BLACK
7123-1210-40	GRAY
7123-1210-50	ORANGE
7123-1210-60	GREEN
7123-1210-70	YELLOW
7123-1210-80	BROWN
7123-1210-90	BLUE
7123-1210-10 △	DARK GRAY



SEC. A-A



SEC. B-B

NOTE
 1) MATING PART NO. 7122-1210ETC.
 注記
 1) 適合相手品番 7122-1210ETC.

APPROVED	CHKD	CHKD	DESIGN	DRAWN			
<i>[Signature]</i>	加藤	藤岡	KANEKO	敏真			
88.08.04	88.08.04	88.08.03	82.05.10	88.07.28			
GENERAL TOLERANCE							
	10MAX	50MAX	100MAX	250MAX	2500VR	ANGLE	ECCENT
A	±0.15	±0.2	±0.3	±0.5	±0.75	±30'	0.1
B	±0.2	±0.3	±0.55	±0.95	±1.4	±30'	0.1
∅	±0.3	±0.5	±0.8	±1.4	±2	±30'	0.15
SPECIFIED							
DWG SOURCE	NEW		DWG DATE	83.08.20			
OFFICE							
CUSTOMER							
CUSTOMER PART NO.				CUSTOMER DWG NO.			
VENDOR							
VENDOR NO.				TRIAL PART NO.			
DWG TYPE	R	UNIT	MM	SCALE	5/1	ANGLE	3
MATL&SPEC NYLON-66				TREATMENT&FINISH			
NAME 12P 090 FEMALE HOUSING							
YAZAKI NO.				7123-1210 ETC.			
DWG NO.				7123-1210-R			
YAZAKI CORPORATION							