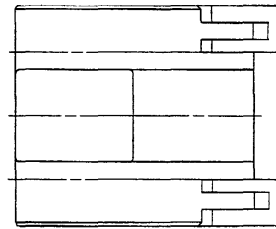
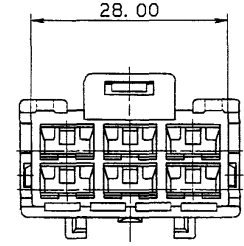
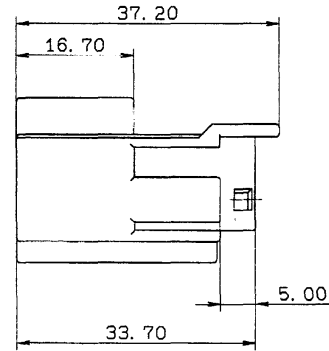
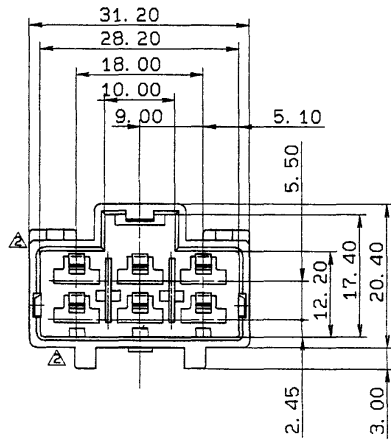


△	YAZAKI PART NO.	COLOR
	7122-6060	NATURAL
	7122-6060-40	GRAY



- 注 記
1. 適用オスターミナル品番: 7114-2870 ETC.
  2. 適合メスハウジング品番: 7123-6060
  3. 適用リヤヘルダ品番 : 7157-6260-30

- △ NOTES
1. APPLICABLE MALE TERMINAL NO. : 7114-2870 ETC.
  2. MATING FEMALE HOUSING NO. : 7123-6060
  3. APPLICABLE REAR HOLDER NO. : 7157-6260-30



△	90.02.20	RENEW AND ADDED FORM etc.	C89-M286	H. Y
LET	DATE	REVISION RECORD	NO.	CHKD

GENERAL TOLERANCE						
	10MAX	50MAX	100MAX	250MAX	2500VRI	ANGLE
A	±0.15	±0.2	±0.3	±0.5	±0.75	±30'
B	±0.2	±0.3	±0.55	±0.95	±1.4	±30'
◎	±0.3	±0.5	±0.8	±1.4	±2	±30'

ECCENT 0.1, 0.1, 0.15

SPECIFIED WEIGHT g

CUSTOMER		MATERIAL		TREAT.	
CUSTOMER PART NO.		NYLON 6		& FIN.	
OFFICE		NAME		M TYPE CONNECTOR	
VENDOR		STDLIB NO.		HOUSING 6PM(W)	
VENDOR NO.		PART NO.		7122-6060 ETC.	
DWG TYPE		DWG SOURCE		DWG DATE	
R		RENEW		83.03.04	
APPROVED		CHECKED		DESIGN	
S. INABA		H. YABE		DRAWN	
DWG NO.		TRIAL PART NO.		7122-6060:R	
YAZAKI CORPORATION		YAZAKI CORPORATION		YAZAKI CORPORATION	

1

2

3

4

5