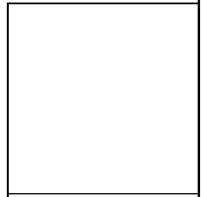
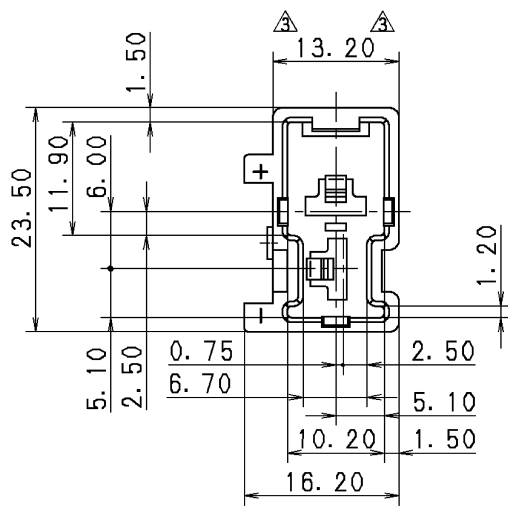
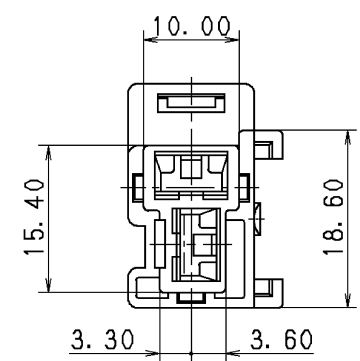
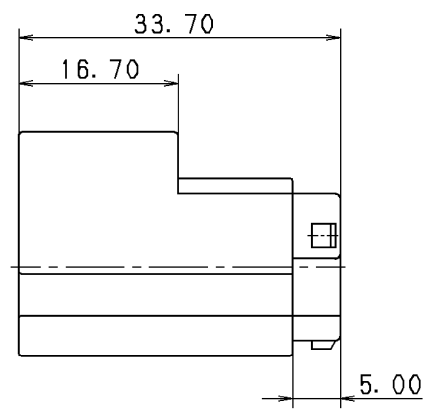
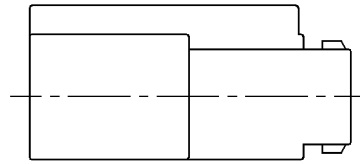


3	△ YAZAKI PART NO.	COLOR
	7122-6020, ㊦	NATURAL
	7122-6020-40, ㊦	GRAY

- 注記
1. 適用オスターミナル品番 : 7114-2870 ETC.
 2. かん合メスハウジング品番 : 7123-6020
 3. 適用リヤホルダ品番 : 7157-6220-30

- △ NOTES
1. APPLICABLE MALE TERMINAL NO. : 7114-2870 ETC.
 2. MATING FEMALE HOUSING NO. : 7123-6020
 3. APPLICABLE REAR HOLDER NO. : 7157-6220-30



						CUSTOMER △				MTRL. SPEC. NYLON 6		TREAT. & FIN.		
△	11.01.14	CHANGED PART NAME	C11-ZA30	C. S	CUSTOMER PART NO.				CUSTOMER DWG NO.					
△	96.04.12	CHANGED FORM, ㊦	C96-L671	H. K	△									
△	90.02.20	RENEW	C89-M290	H. Y	OFFICE △				TRIAL PART NO.					
LET	DATE	REVISION RECORD	NO.	CHKD	VENDOR									
GENERAL TOLERANCE					VENDOR NO.									
	10MAX	50MAX	100MAX	250MAX	250OVR	ANGLE	ECCENT	DWG TYPE	DWG SOURCE	DWG DATE	UNIT	SCL	ANGLE	PART NO. CH. CODE
A	±0.15	±0.2	±0.3	±0.5	±0.75	±30'	0.1	R	RENEW	83.03.04	mm	2:1	3	7122-6020 ETC.
B	±0.2	±0.3	±0.55	±0.95	±1.4	±30'	0.1	APPROVED	CHECKED	CHECKED	DESIGN	DRAWN	DWG NO.	△ 7122-6020:R
©	±0.3	±0.5	±0.8	±1.4	±2	±30'	0.15	S. MIZUSE		R. DE GUZMAN	S. INABA	C. SANJOAQUIN		YAZAKI CORPORATION
SPECIFIED							MASS	11.01.14		11.01.14	83.03.03	11.01.14		

1 2 3

