

1

2

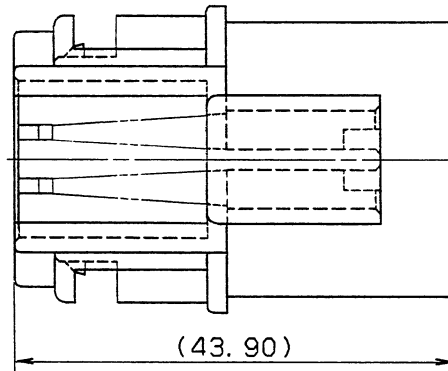
3

注 記

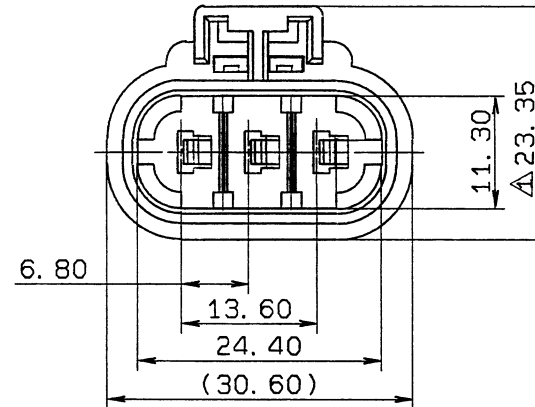
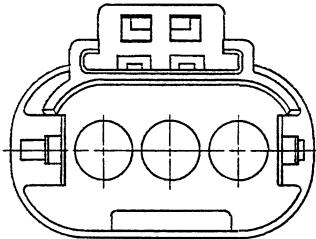
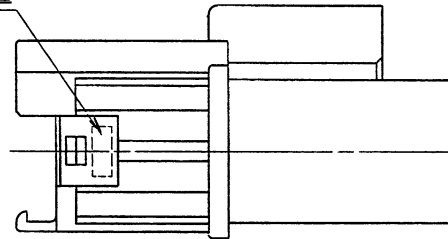
- 1. 適用オスターミナル品番: 7114-1232 ETC.
- 2. 適用リヤホルダ'品番: 7157-6530-30
- 3. 嵌合メスハウジング'品番: 7123-1834-40

△ NOTES

- 1. APPLICABLE MALE TERMINAL NO. : 7114-1232 ETC.
- 2. APPLICABLE REAR HOLDER NO. : 7157-6530-30
- 3. MATING FEMALE HOUSING NO. : 7123-1834-40



STAMPED POSITION
刻印位置



ISSUE MARK

| | | | | | | | | | | | | | | | | |
|-------------------|-------|-----------------|--------|----------|--------|-------|--------|-------------------|------------|------------|---------|-------------------------|--|-----------------------|-------------------|--|
| | | | | | | | | CUSTOMER | | | | MATT. NYLON 66(GRAY) | | TREAT. & FIN. | | |
| | | | | | | | | CUSTOMER PART NO. | | | | CUSTOMER DWG NO. | | | | |
| △ 90.03.20 | | RENEW | | C90-L036 | | M. K | | OFFICE | | STDLIB NO. | | NAME △ W TYPE CONNECTOR | | | | |
| LET DATE | | REVISION RECORD | | NO. | | CHKD | | VENDOR | | VENDOR NO. | | HOUSING 3PMW | | | | |
| GENERAL TOLERANCE | | | | | | | | | | | | | | | | |
| | 10MAX | 50MAX | 100MAX | 250MAX | 250OVR | ANGLE | ECCENT | DWG TYPE | DWG SOURCE | DWG DATE | UNIT | SCL | ANGLE | PART NO. 7122-1834-40 | | |
| A | ±0.15 | ±0.2 | ±0.3 | ±0.5 | ±0.75 | ±30' | 0.1 | R | RENEW | 85.06.12 | mm | 2/1 | 3 | | | |
| B | ±0.2 | ±0.3 | ±0.55 | ±0.95 | ±1.4 | ±30' | 0.1 | APPROVED | CHECKED | CHECKED | DESIGN | DRAWN | DWG NO. △7122-1834-40:R TRIAL PART NO. | | | |
| ◎ | ±0.3 | ±0.5 | ±0.8 | ±1.4 | ±2 | ±30' | 0.15 | SAKAI | | M. KAI | | YAZAKI CORPORATION | | | | |
| SPECIFIED | | | | | | | WEIGHT | | g | | 90.3.21 | | 90.3.21 | | 85.06.12 90.03.20 | |

1

2

3

