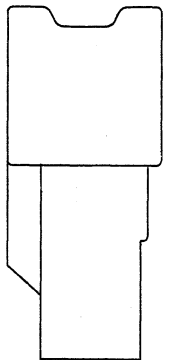
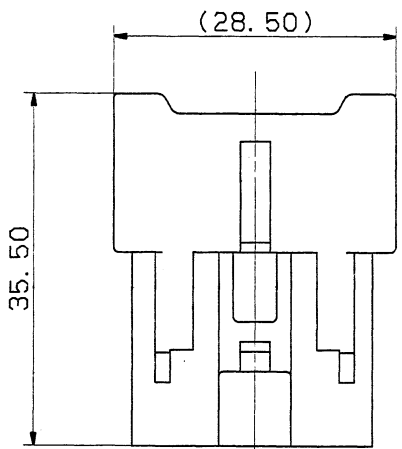
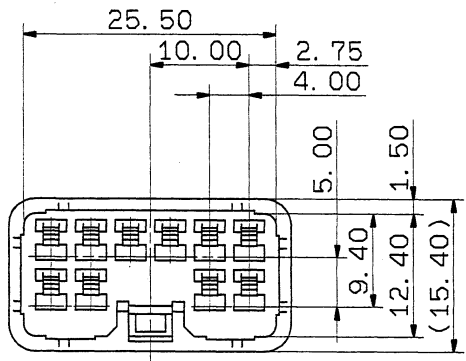


1

2

3

YAZAKI PART NO.	COLOR
7122-1300	NATURAL
7122-1300-10	DARK GRAY
7122-1300-30	BLACK
7122-1300-40	LIGHT GRAY
7122-1300-50	ORANGE
7122-1300-60	GREEN
7122-1300-70	YELLOW
7122-1300-80	BROWN
7122-1300-90	BLUE



注記

- 1. 適用端子品番: 7114-1170 ETC.
- 2. 嵌合相手品番: 7123-1300 ETC.

NOTES

- 1. APPLICABLE TERMINAL NO. : 7114-1170 ETC.
- 2. MATING PART NO. : 7123-1300 ETC.

ISSUE MARK

										CUSTOMER			MATL. SPEC.		TREAT. & FIN.							
										CUSTOMER PART NO.			CUSTOMER DWG NO.									
										OFFICE			TRIAL PART NO.		NAME							
										VENDOR					10P 090 MALE HOUSING							
										VENDOR NO.												
GENERAL TOLERANCE										DWG TYPE		DWG SOURCE		DWG DATE		UNIT		SCL		ANGLE		
		10MAX	50MAX	100MAX	250MAX	250OVR	ANGLE	ECCENT	R		NEW		94.05.26		mm		2/1		3			
A		±0.15	±0.2	±0.3	±0.5	±0.75	±30'	0.1	APPROVED		CHECKED		CHECKED		DESIGN		DRAWN		PART NO.			
B		±0.2	±0.3	±0.55	±0.95	±1.4	±30'	0.1	酒井		増田		竹下		KANEKO		KUZUNO		7122-1300 ETC.			
C		±0.3	±0.5	±0.8	±1.4	±2	±30'	0.15											DWG NO.			
SPECIFIED						MASS		g		94.5.30		94.5.30		94.5.27		82.04.05		94.05.26		7122-1300:R		
																					YAZAKI CORPORATION	

1

2

3

