

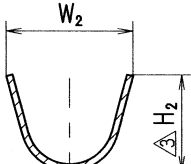
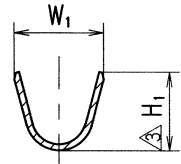
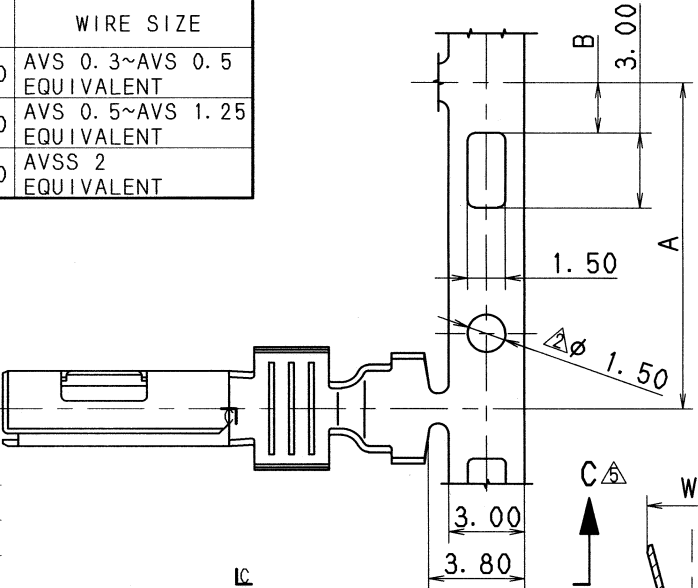
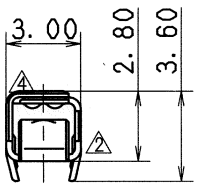
PART NO. AND CH. CODE	$\Delta W_1 \pm 0.4$	$\Delta W_2 \pm 0.4$	ΔH_1	ΔH_2	X	A	B	WIRE SIZE
7116-4025. Δ (7B16-4025 Δ)	2.30	5.20	(2.19)	(4.21)	0.50	12.50	3.00	AVS 0.3~AVS 0.5 EQUIVALENT
7116-4026. Δ (7B16-4026 Δ)	3.00	5.30	(2.91)	(4.08)	0.80	12.50	3.00	AVS 0.5~AVS 1.25 EQUIVALENT
7116-4027. Δ (7B16-4027 Δ)	4.20	6.00	(4.06)	(5.09)	1.00	13.00	2.00	AVSS 2 EQUIVALENT

注記

- Δ 1. () 内品番は、エアバック回路及び
特別管理回路に使用する時に適用すること。
- Δ 2. 適用ゴム栓品番: 7158-3006-90 ETC.
- Δ 3. 嵌合オスターミナル: 7114-4025 ETC. (7B14-4025 ETC.)

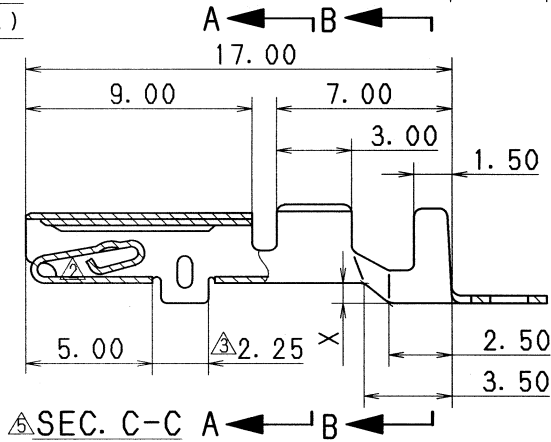
NOTES

- Δ 1. PART NUMBERS IN PARENTHESIS SHALL BE USED FOR
AIR BAG (A/B) CIRCUITS AND OTHER CIRCUITS
DESIGNATED FOR SPECIAL MONITORING.
- Δ 2. APPLICABLE RUBBER STOPPER NO.: 7158-3006-90 ETC.
- Δ 3. MATING MALE TERMINAL: 7114-4025 ETC. (7B14-4025 ETC.)



SEC. A-A

SEC. B-B



SEC. C-C A ← B

Δ	05/11/10	CHANGED PART NAME, ETC.	C05-ZF20	T. O
Δ	00/11/08	CHANGED FORM & DIMENSION	C00-M342	Y. S
Δ	98/07/14	ADDED DIMENSION	C97-N456	H. K
Δ	97/05/26	CHANGED FORM & ADDED A/B PART NO.	C97-L981	S. S
Δ	96/01/09	CHANGED DIMENSION	C95-M905	T. M
Δ	88/07/18	NEW	8MC-0809	Y. S
LET	DATE	REVISION RECORD	NO.	CHKD

CUSTOMER		MATL. COPPER ALLOY	TREAT. TIN PLATING
CUSTOMER PART NO.	CUSTOMER DWG NO.	SPEC. (t=0.25)	& FIN.
OFFICE	TRIAL PART NO.	NAME Δ 2.3II SEALED TERMINAL	
VENDOR		FEMALE	
VENDOR NO.		ISSUE MARK	

GENERAL TOLERANCE								DWG TYPE	DWG SOURCE	DWG DATE	UNIT	SCL	ANGLE	PART NO.
A	±0.15	±0.2	±0.3	±0.5	±0.75	±30'	0.1	R	NEW	88/07/12	mm	5:1	3	7116-4025 ETC. (7B16-4025 ETC.) Δ
B	±0.2	±0.3	±0.55	±0.95	±1.4	±30'	0.1	APPROVED	CHECKED	CHECKED	DESIGN	DRAWN	DWG NO. 7116-4025:R	SET DWG NO.
(C)	±0.3	±0.5	±0.8	±1.4	±2	±30'	0.15				M. TSUJI	O. DAR		
SPECIFIED	MASS													YAZAKI CORPORATION

05.11.25	05.11.29	05.11.28	05.11.15	87/08/26	05/11/10
----------	----------	----------	----------	----------	----------