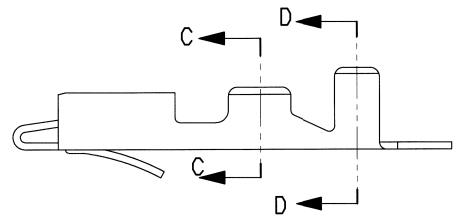
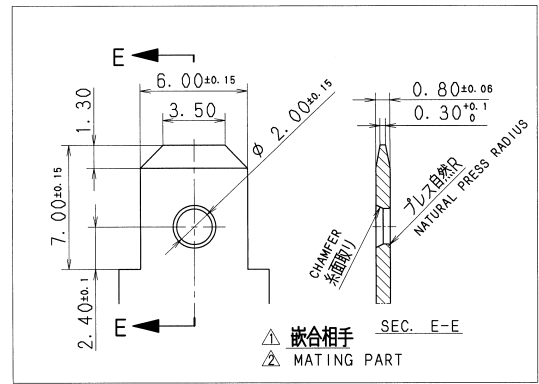
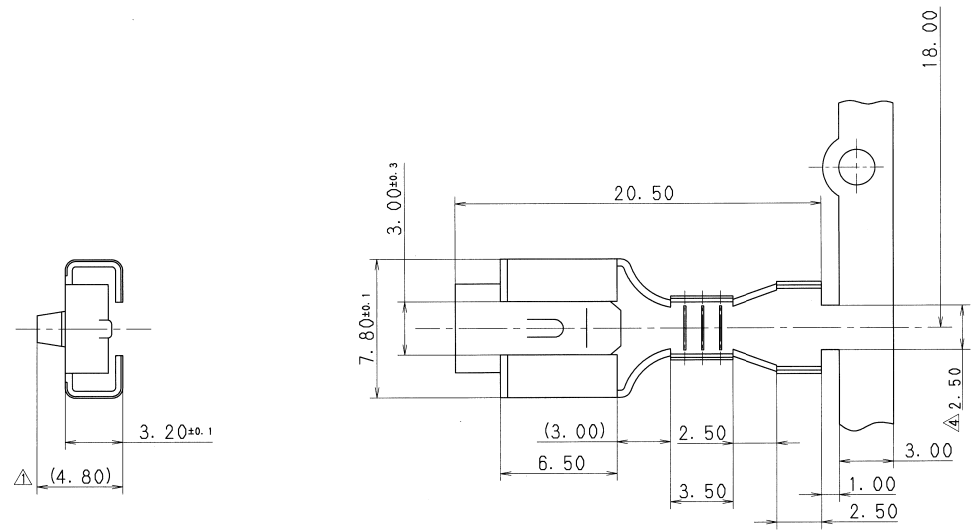


YAZAKI PART NO.	MATERIAL
7116-2030	BRASS t=0.4
7116-2030-02	BRASS t=0.4 TIN PLATED



注記
1) 適用電線サイズは 0.5~2とする。

NOTE
1) APPLICABLE WIRE SIZE: 0.5~2

ISSUE MARK

DATE	REVISION RECORD	NO.	CHKD
08.08.26	CHANGED PART NAME, ETC.	C08-2625	T. E
02.10.14	CORRECTION OF NOTES.	C02-0444	N. K
93.11.09	ADDED PART NO. ETC.	C93-7091	Y. I
92.11.25	CHANGED FORM & RENEW	C92-7228	I. K
79.07.25	NEW	C79-2366	T. I

GENERAL TOLERANCE						
	10MAX	50MAX	100MAX	250MAX	2500VR	ANGLE
A	±0.15	±0.2	±0.3	±0.5	±0.75	±30'
B	±0.2	±0.3	±0.55	±0.95	±1.4	±30'
C	±0.3	±0.5	±0.8	±1.4	±2	±30'
SPECIFIED						±0.2
ANGLE						±30°
ECCENT						±0.1
MASS						g

CUSTOMER		MATERIAL SPEC.		TREAT. & FIN.	
CUSTOMER PART NO.	CUSTOMER DWG NO.	SEE TABLE		SEE TABLE	
OFFICE	TRIAL PART NO.	NAME 250 TERMINAL FEMALE			
VENDOR	VENDOR NO.	DWG TYPE	DWG SOURCE	DWG DATE	UNIT
		R	NEW	79.07.25	mm
		APPROVED	CHECKED	CHECKED	DESIGN
		<i>T. MIWA</i>	<i>T. ENDO</i>	<i>J. GALLARES</i>	DRAWN
		08.08.25	08.08.27	08.08.27	08.08.26
PART NO.		7116-2030 ETC.			
DWG NO.		7116-2030-02:R			
YAZAKI CORPORATION					

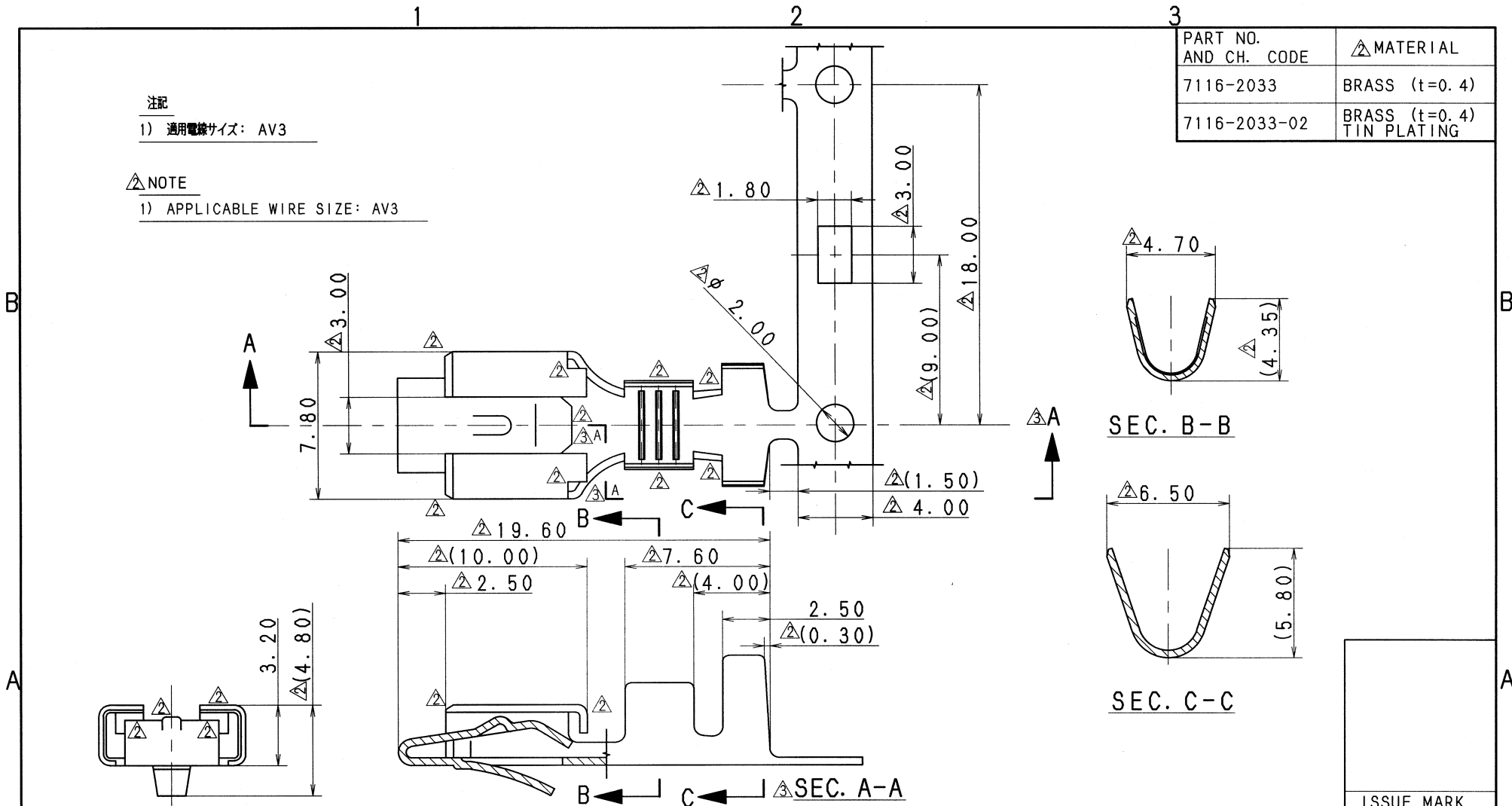
注記

1) 通用電線サイズ: AV3

△NOTE

1) APPLICABLE WIRE SIZE: AV3

PART NO. AND CH. CODE	△ MATERIAL
7116-2033	BRASS (t=0.4)
7116-2033-02	BRASS (t=0.4) TIN PLATING



ISSUE MARK

△ 05/11/30	ELIMINATED PART NO., ETC.	C05-ZF67	H. T	CUSTOMER	MATL. SPEC. △ SEE TABLE	TREAT. & FIN. △ SEE TABLE
△ 05/04/14	CHANGED FORM, ETC.	C05-Z662	N. T	CUSTOMER PART NO.	CUSTOMER DWG NO.	
△ 82/08/31	ADDED PART NO.	C82-2768	佐原	OFFICE	TRIAL PART NO.	
81/11/30	NEW	C81-2960	竹之内	VENDOR		
LET	DATE	REVISION RECORD	NO.	CHKD	VENDOR NO.	
△ GENERAL TOLERANCE				NAME △ 6.3 TERMINAL FEMALE		
				(USE FOR 1P)		
	10MAX	50MAX	100MAX	250MAX	2500VR	
A	±0.15	±0.2	±0.3	±0.5	±0.75	PART NO. 7116-2033 ETC.
B	±0.2	±0.3	±0.55	±0.95	±1.4	DWG NO. 7116-2033:R
◎	±0.3	±0.5	±0.8	±1.4	±2	SET DWG NO.
SPECIFIED				ANGLE ±30'	ECCENT 0.15	YAZAKI CORPORATION
MASS				g	05.12.20	05.12.19
				05/12/19	05/12/19	05/11/30