

1

2

3

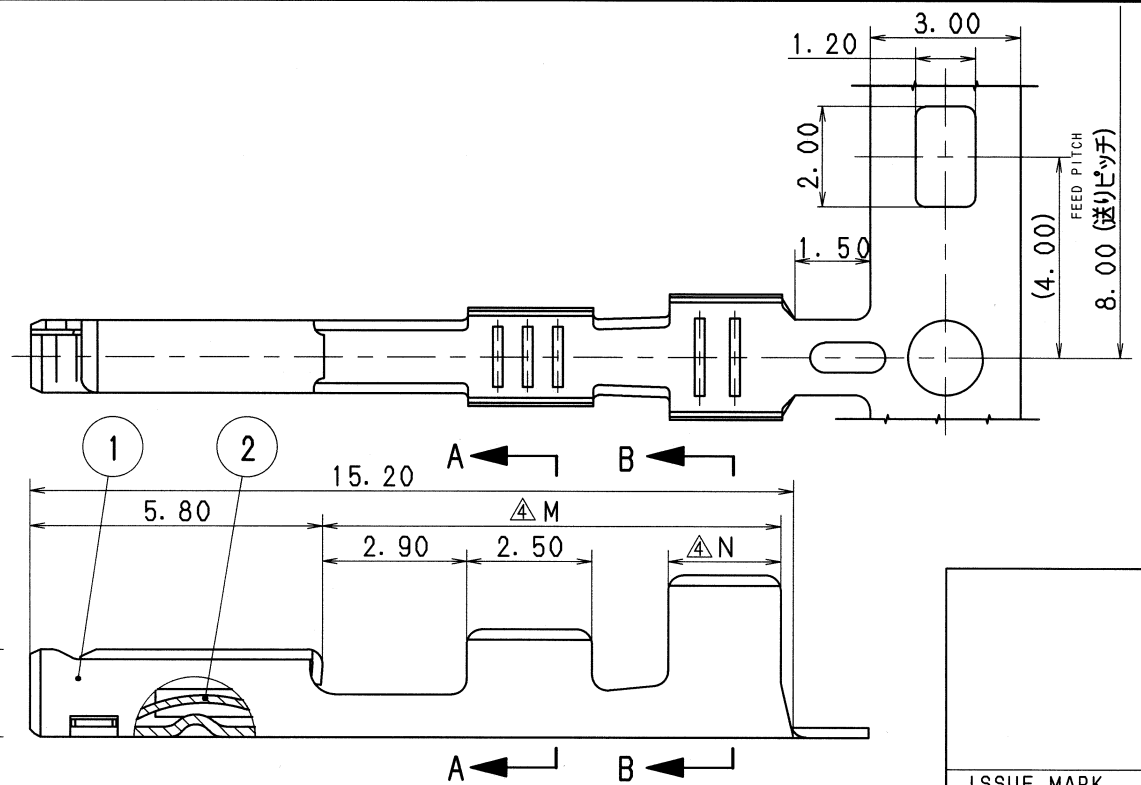
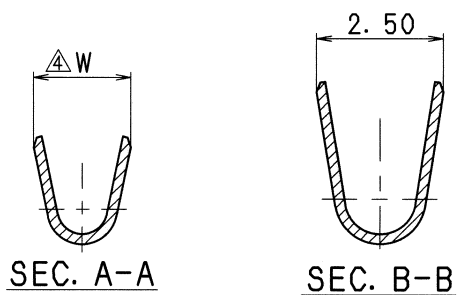
注記

- 1. 嵌合相手品番: 7114-1670-02 (7B14-1670-02)  
7114-1670-08  
7114-1800-02
- 2. ( ) 内品番は、A/B回路及び特別管理回路に使用する時に適用すること。

NOTES

- 1. MATING PART NO. : 7114-1670-02 (7B14-1670-02)  
7114-1670-08  
7114-1800-02
- 2. ( ) PART NO. IS USED FOR PARTS ASSOCIATED WITH A/B CIRCUITS OR OTHER SPECIFIED CIRCUIT.

PART NO. AND CH. CODE	M	N	W	NO.	MAT' L. & TREAT.	WIRE SIZE
7116-1670-02. (A) (7B16-1670-02. (A))	9. 15±0.1	2. 25	1. 95	①	BRASS (TIN PLATING)	CAVUS 0. 3~CAVS 0. 5
				②	BERYLLIUM COPPER (TIN PLATING)	
7116-1800-02. (A)	9. 00±0.1	2. 10	2. 10	①	BRASS (TIN PLATING)	CAVUS 0. 85
				②	BERYLLIUM COPPER (TIN PLATING)	
7116-1670-08. (A) (7B16-1670-08. (A))	9. 15±0.1	2. 25	1. 95	①	BRASS (GOLD PLATING)	CAVUS 0. 3~CAVS 0. 5
				②	BERYLLIUM COPPER (GOLD PLATING)	



06/04/13	CHANGED TABLE	C06-P359	Y. I
06/04/07	CHANGED TABLE	C06-Z364	Y. I
02/12/16	ADDED A/B PART NO.	C02-Y472	K. I
97/08/27	ADDED TOLERANCE	C97-7842	K. U
97/01/27	CHANGED FORM & ADDED A/B PART NO. (A)	C97-L103	M. T
93/04/23	ADDED PART NO. ETC.	C93-P068	H. F
92/06/09	ADDED PART NO.	C92-6540	H. Y
91/02/01	CHANGED FROM	C90-7609	H. Y
90/07/24	NEW	C90-6946	H. Y
LET	DATE	REVISION RECORD NO.	CHKD
GENERAL TOLERANCE			
	10MAX	50MAX	100MAX
A	±0. 15	±0. 2	±0. 3
B	±0. 2	±0. 3	±0. 55
C	±0. 3	±0. 5	±0. 8
	250MAX	250QVR	ANGLE
	±0. 5	±0. 75	±30'
	±0. 95	±1. 4	±30'
	±1. 4	±2	±30'
	0. 1	0. 1	0. 15
SPECIFIED			
MASS			
g			

CUSTOMER		MATL. SPEC.	SEE TABLE	TREAT. & FIN.
CUSTOMER PART NO.		CUSTOMER DWG NO.		
OFFICE		TRIAL PART NO.		NAME
VENDOR		VENDOR NO.		A-TYPE TERMINAL (F)
DWG TYPE		DWG SOURCE	DWG DATE	UNIT
R	NEW	90/07/24	mm	10:1
APPROVED	CHECKED	CHECKED	DESIGN	DRAWN
秋山	方塚		H. SAITOH	秋山
06. 4. 13	06. 04. 13		90/07/24	06/04/13
PART NO. CH. CODE		PART NO. CH. CODE		
7116-1670-02 (7B16-1670-02) ETC.		7116-1670-02 : R		
DWG NO.		SET DWG NO.		
7116-1670-02 : R				
YAZAKI CORPORATION				

1

2

3