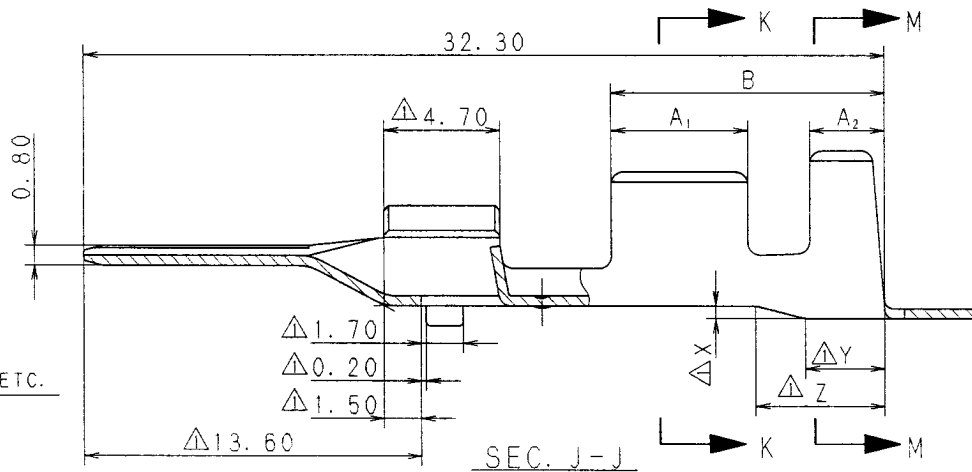
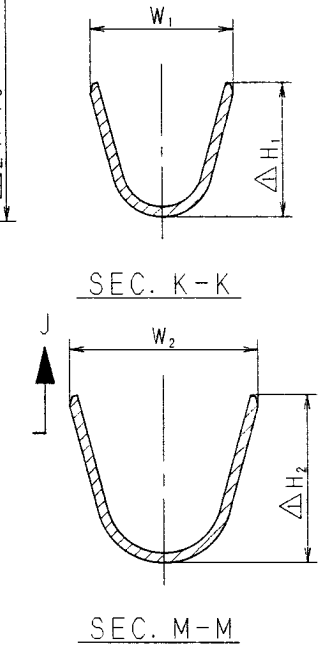
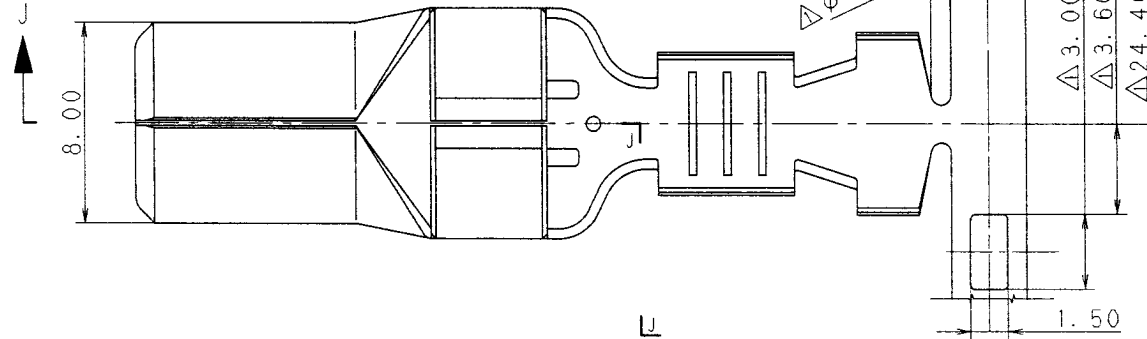
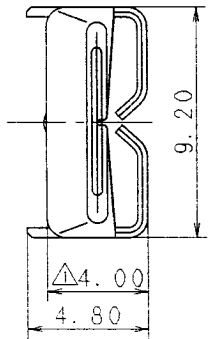


PART NO. AND CH. CODE	W ₁ ±0.4	W ₂ ±0.4	△H ₁	△H ₂	A ₁	A ₂	B	△X	△Y	△Z	WIRE SIZE
7114-6040	3.60	4.70	(3.34)	(4.20)	4.00	1.70	7.20	0	0	0	AVS 0.5~AVS 1.25 EQUIVALENT
7114-6041	4.90	6.40	(4.62)	(5.66)	4.00	1.70	7.20	0.50	1.90	2.90	AVS 2~AVS 3 EQUIVALENT
7114-6042	6.80	8.60	(6.48)	(7.53)	5.50	3.00	11.00	0.50	3.20	5.20	AVS 5~AV 8 EQUIVALENT



注記

△ 1. 嵌合相手品番: 7116-6040 ETC.

NOTE

△ 1. MATING PART NO. : 7116-6040 ETC.

ISSUE MARK

△ 98.08.04	ADDED DIMENSION & CHANGED NOTES	C97-N463	H. K	CUSTOMER		MATL. △C2600 (t=0.40)	TREAT. & FIN.
92.05.29	NEW	C92-L429	T. T	CUSTOMER PART NO.	CUSTOMER DWG NO.	SPEC. TIN PLATING	
LETI DATE	REVISION RECORD	NO.	CHKD	OFFICE	TRIAL PART NO.	NAME 312 TERMINAL MALE	
GENERAL TOLERANCE				VENDOR		VENDOR NO.	
A	±0.15	±0.2	±0.3	±0.5	±0.75	±30'	0.1
B	±0.2	±0.3	±0.55	±0.95	±1.4	±30'	0.1
◎	±0.3	±0.5	±0.8	±1.4	±2	±30'	0.15
SPECIFIED				APPROVED	CHECKED	CHECKED	DESIGN
MASS				加藤 山梨 孝福	MAEDA	M. YASUDA	遠藤友
				98.8.27	98.08.26	98.08.17	87.08.08
				98.08.04		98.08.04	
YAZAKI CORPORATION						7114-6040 ETC.	
						7114-6040:R	
						SET DWG NO.	