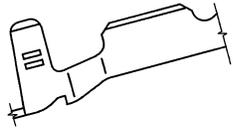
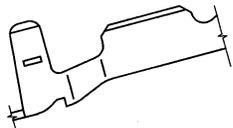


APPLICABLE WIRE SIZE MARK

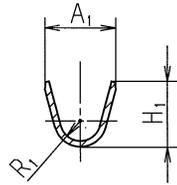


(7114-4103-02)

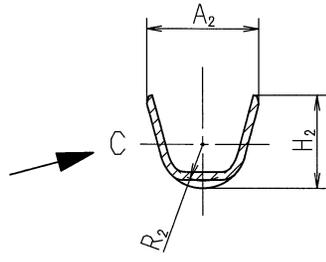


(7114-4102-02)

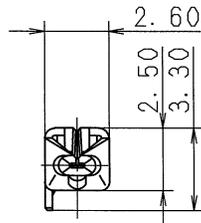
VIEW C



SEC. A-A



SEC. B-B



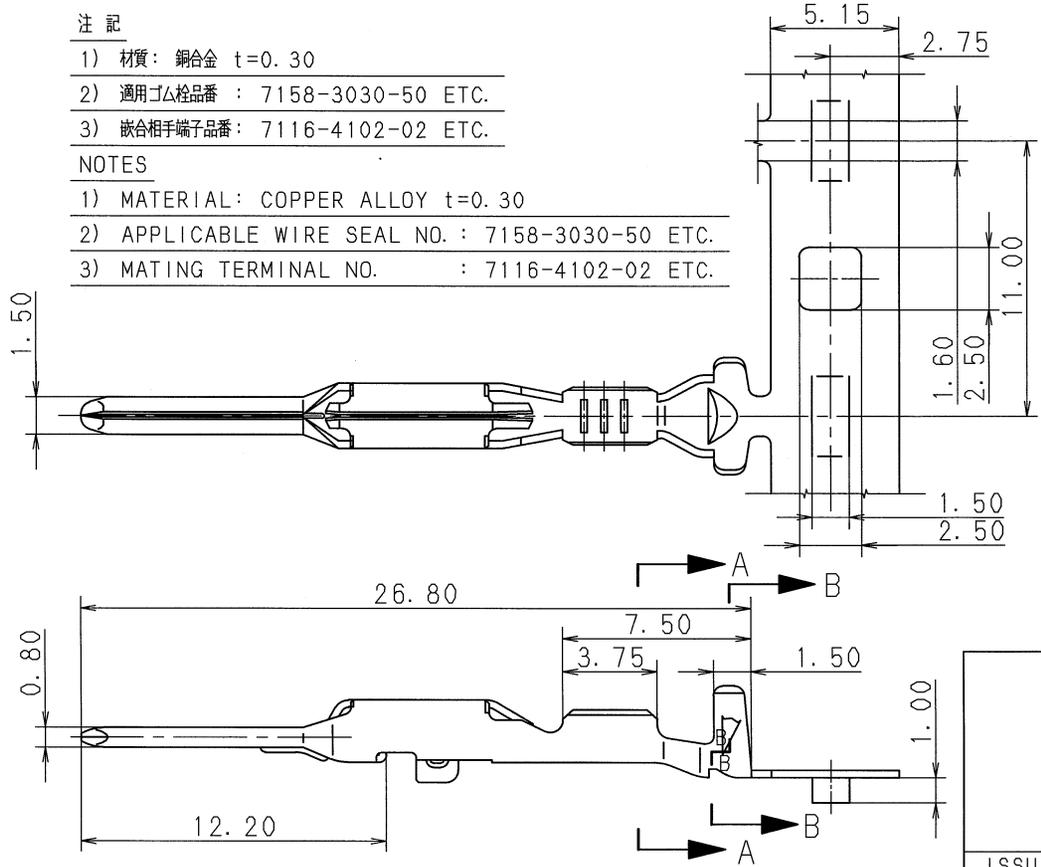
PART NO. AND CH. CODE	A <sub>1</sub>	A <sub>2</sub>	R <sub>1</sub>	R <sub>2</sub>	H <sub>1</sub>	H <sub>2</sub>	WIRE SIZE (mm <sup>2</sup> )
7114-4102-02	2.50	4.85	0.45	1.45	(2.40)	(4.20)	△ 0.3 ~ 0.5 EQUIVALENT
7114-4103-02	3.30	5.00	0.65		(3.20)	(4.45)	△ 0.6 ~ 1.25 EQUIVALENT

注記

- 1) 材質：銅合金 t=0.30
- 2) 適用ゴム栓品番：7158-3030-50 ETC.
- 3) 嵌合相手端子品番：7116-4102-02 ETC.

NOTES

- 1) MATERIAL: COPPER ALLOY t=0.30
- 2) APPLICABLE WIRE SEAL NO.: 7158-3030-50 ETC.
- 3) MATING TERMINAL NO.: 7116-4102-02 ETC.



ISSUE MARK

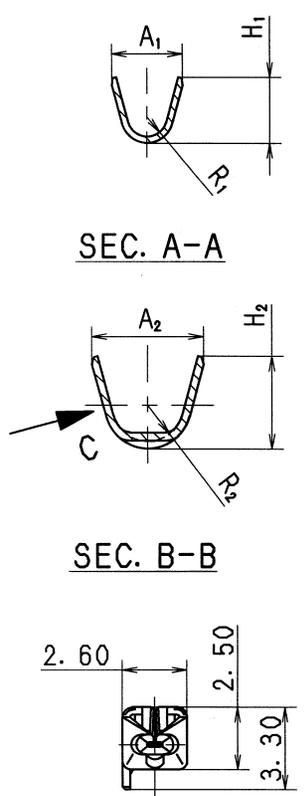
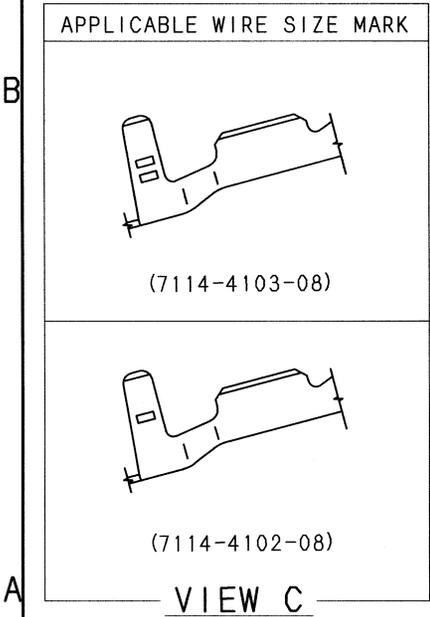
△	03.07.07	CHANGED WIRE SIZE & CORRECTION OF A CLERICAL ERROR	C03-X434	K. O	CUSTOMER	MATL. SPEC.	SEE NOTES	TREAT. & FIN.								
	96.04.16	NEW	C96-L509	H. K	CUSTOMER PART NO.											
LET	DATE	REVISION RECORD	NO.	CHKD	OFFICE	TRIAL PART NO.	NAME 1.5 SYSTEM SEALED CONNECTOR MALE TERMINAL (TIN PLATED)									
GENERAL TOLERANCE					VENDOR	VENDOR NO.										
	10MAX	50MAX	100MAX	250MAX	2500VR	ANGLE	ECCENT	DWG TYPE	DWG SOURCE	DWG DATE	UNIT	SCL	ANGLE	PART NO. CH. CODE	7114-4102-02 ETC.	
A	±0.15	±0.2	±0.3	±0.5	±0.75	±30'	0.1	R	NEW	96.04.16	mm	5/1	3	DWG NO.	7114-4102-02:R	
B	±0.2	±0.3	±0.55	±0.95	±1.4	±30'	0.1	APPROVED	CHECKED	CHECKED	DESIGN	DRAWN	Y. TOMITA	Y. OHKUBO	SET DWG NO.	
©	±0.3	±0.5	±0.8	±1.4	±2	±30'	0.15	Y. TOMITA			Y. OHKUBO		YAZAKI CORPORATION			
SPECIFIED							MASS	9		03.8.20	02.8.20	03.8.19	96.04.16	03.07.07		

1

2

3

1 GENERAL TOLERANCE											2 PART NO. AND CH. CODE		3						WIRE SIZE (mm <sup>2</sup> )	
	10MAX	50MAX	100MAX	250MAX	250OVR	R5MAX	R10MAX	R20MAX	R200OVR	ANGLE	ECCENT	A <sub>1</sub>	A <sub>2</sub>	R <sub>1</sub>	R <sub>2</sub>	H <sub>1</sub>	H <sub>2</sub>	M		
A	±0.15	±0.2	±0.3	±0.5	±0.75					±3°	0.1	7114-4102-08.□	2.50	4.85	0.45	1.45	(2.40)	(4.20)	0.55	△0.3 ~ 0.5 EQUIVALENT
B	±0.2	±0.3	±0.55	±0.95	±1.4	±0.2	±0.3	±0.5	±2.5	±3°	0.1	7114-4103-08.□	3.30	5.00	0.65		(3.20)	(4.45)	0.70	△0.6 ~ 1.25 EQUIVALENT
C	±0.3	±0.5	±0.8	±1.4	±2					±3°	0.15									



注記

1) 材質: 銅合金 t=0.30

2) 適用寸法検査番号: 7158-3030-50 ETC.

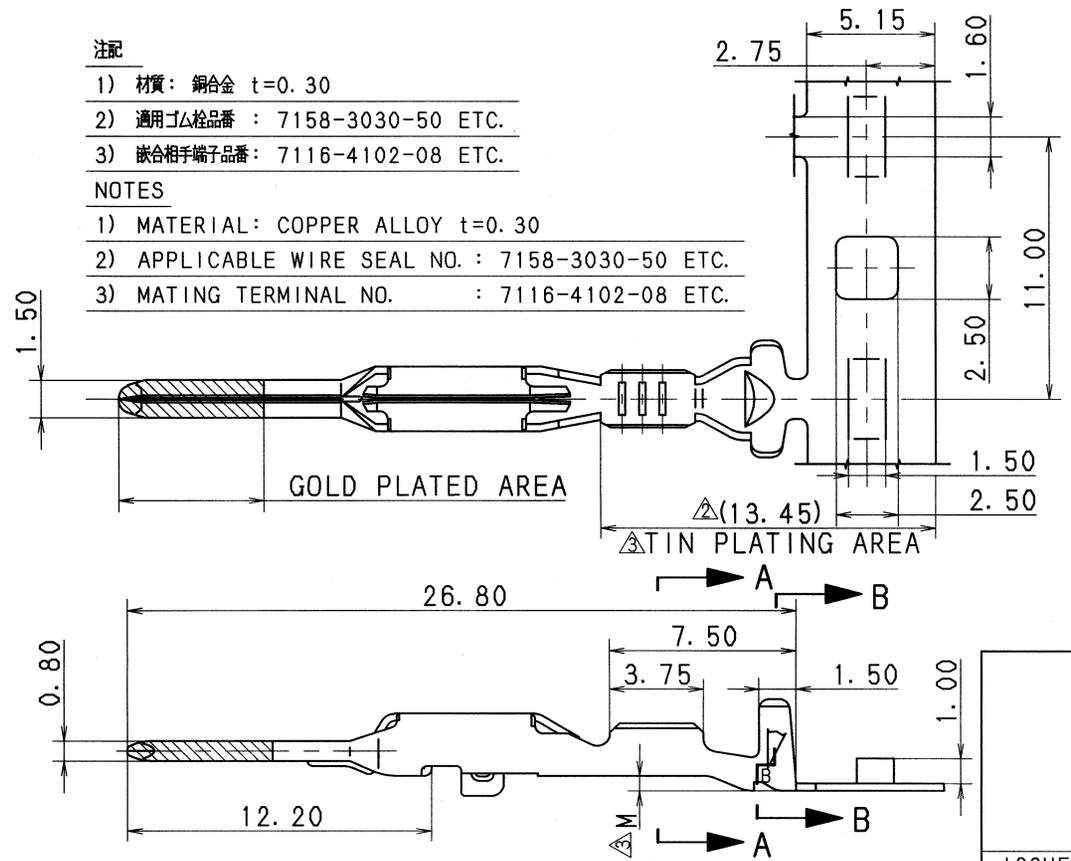
3) 嵌合相手端子品番: 7116-4102-08 ETC.

NOTES

1) MATERIAL: COPPER ALLOY t=0.30

2) APPLICABLE WIRE SEAL NO.: 7158-3030-50 ETC.

3) MATING TERMINAL NO.: 7116-4102-08 ETC.



△	05/12/14	DELETED SOLDER PLATING INSTRUCTION, ETC.	C05-ZG57	Y. W	CUSTOMER		MATL. SPEC.	SEE NOTES	TREAT. & FIN.	ISSUE MARK			
△	03/09/19	ADDED DIMENSION.□	C03-X584	H. T	CUSTOMER PART NO.		CUSTOMER DWG NO.						
△	03/07/07	CHANGED WIRE SIZE	C03-X434	K. O	OFFICE		TRIAL PART NO.		NAME 1.5 SYSTEM SEALED CONNECTOR				
	96/03/15	NEW	C96-6049	Y. T	VENDOR		VENDOR NO.		MALE TERMINAL (GOLD PLATED)				
LET	DATE	REVISION RECORD	NO.	CHKD	DWG TYPE	DWG SOURCE	DWG DATE	UNIT	SCL	ANGLE	PART NO. CH. CODE	7114-4102-08 ETC.	SET DWG NO.
GENERAL TOLERANCE					R	NEW	96/03/15	mm	5:1	3	DWG NO.	7114-4102-08:R	
A	±0.15	±0.2	±0.3	±0.5	±0.75	±30'	0.1	APPROVED	CHECKED	CHECKED	DESIGN	DRAWN	
B	±0.2	±0.3	±0.55	±0.95	±1.4	±30'	0.1	Y. TOMITA	O. DAR	YAZAKI CORPORATION			
C	±0.3	±0.5	±0.8	±1.4	±2	±30'	0.15	05.12.22	05.12.22	05.12.21	96/03/15	05/12/14	
SPECIFIED					MASS	g							