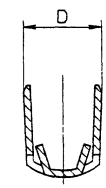
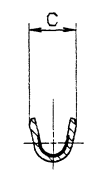
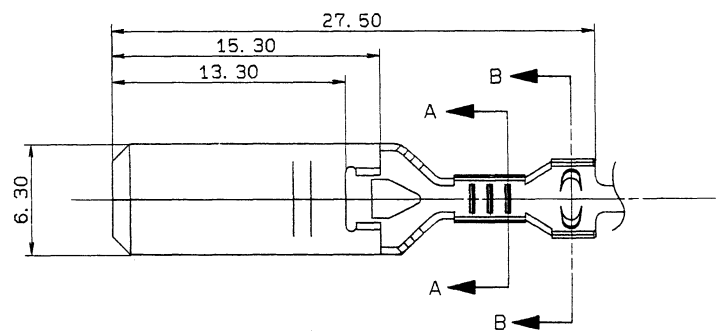
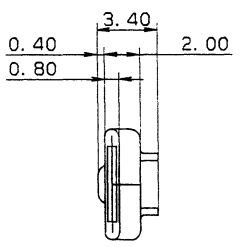
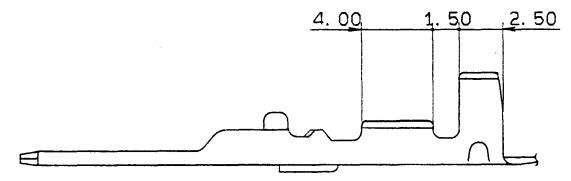


| 4            |     |     |                | 5           |                         |
|--------------|-----|-----|----------------|-------------|-------------------------|
| PART NO.     | C   | D   | MATERIAL       | TREAT & FIN | APPLICABLE WIRE SIZE    |
| 7114-2870    | 2.7 | 4.5 | C2680<br>t=0.4 |             | AV 0.5<br>AVS 0.3~0.5   |
| 7114-2870-02 | 2.7 | 4.5 |                | TIN PLATED  | AV 0.5<br>AVS 0.3~0.5   |
| 7114-2871    | 3.7 | 5.5 |                |             | AV 0.85~2<br>AVS 0.85~2 |
| 7114-2871-02 | 3.7 | 5.5 |                | TIN PLATED  | AV 0.85~2<br>AVS 0.85~2 |
| 7114-2872    | 4.7 | 6.5 |                |             | AV 3. AVS 3             |
| 7114-2872-02 | 4.7 | 6.5 |                | TIN PLATED  | AV 3. AVS 3             |



SECTION A-A

SECTION B-B



| LET | DATE     | REVISION RECORD | NO. | CHKD |
|-----|----------|-----------------|-----|------|
|     | 90.09.07 | NEW             | 1   | M. K |

| GENERAL TOLERANCE |       |       |        |        |        |       |
|-------------------|-------|-------|--------|--------|--------|-------|
|                   | 10MAX | 50MAX | 100MAX | 250MAX | 2500VR | ANGLE |
| A                 | ±0.15 | ±0.2  | ±0.3   | ±0.5   | ±0.75  | ±30°  |
| B                 | ±0.2  | ±0.3  | ±0.55  | ±0.95  | ±1.4   | ±30°  |
| ◎                 | ±0.3  | ±0.5  | ±0.8   | ±1.4   | ±2     | ±30°  |

|             |  |                   |  |                  |  |             |  |                     |  |
|-------------|--|-------------------|--|------------------|--|-------------|--|---------------------|--|
| CUSTOMER    |  | CUSTOMER PART NO. |  | CUSTOMER DWG NO. |  | MATL. SPEC. |  | TREAT. & FIN.       |  |
| OFFICE      |  | VENDOR            |  | STDLIB NO.       |  | NAME        |  | M TYPE TERMINAL (M) |  |
| DWG TYPE    |  | DWG SOURCE        |  | DWG DATE         |  | UNIT        |  | SCL                 |  |
| R           |  | NEW               |  | 90.09.07         |  | mm          |  | 5/1                 |  |
| APPROVED    |  | CHECKED           |  | DESIGN           |  | DRAWN       |  | PART NO.            |  |
| [Signature] |  | [Signature]       |  | SAKA!            |  | T. MAKITA   |  | 7114-2870 ETC.      |  |
| SPECIFIED   |  | WEIGHT            |  | 90.09.07         |  | 82.08.02    |  | 90.09.07            |  |
|             |  |                   |  |                  |  |             |  | YAZAKI CORPORATION  |  |