

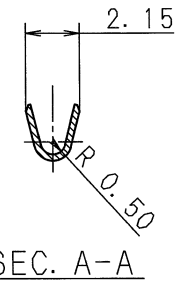
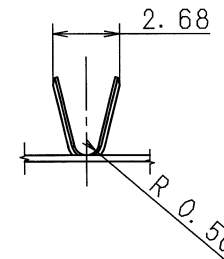
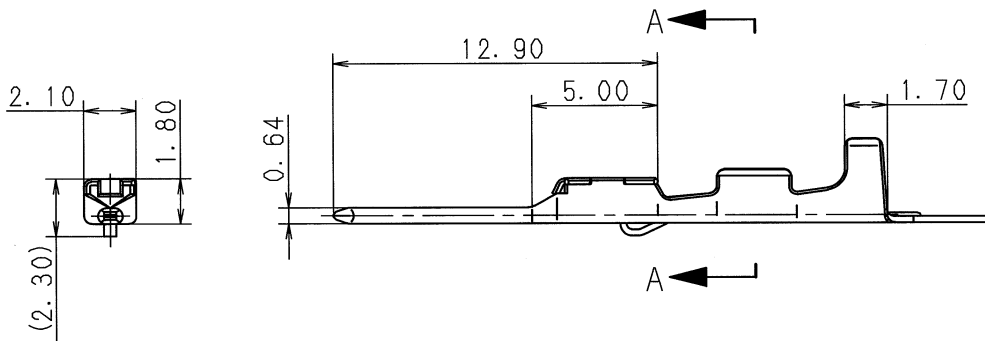
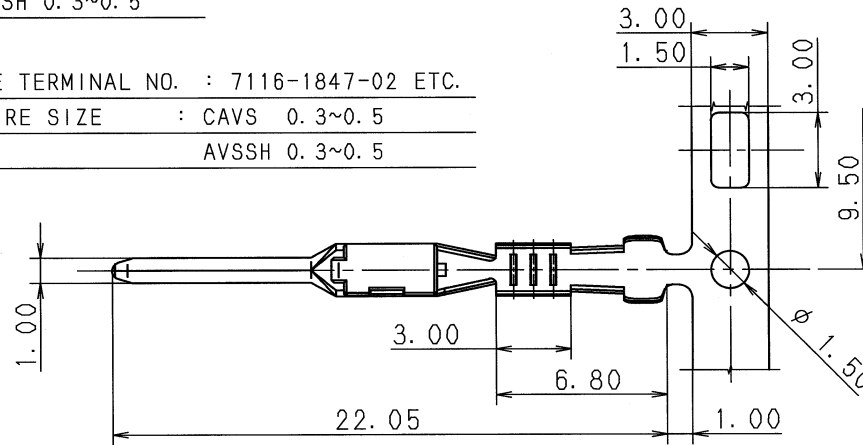
注記

- 1. 嵌合雌端子品番 : 7116-1847-02 ETC.
- 2. 適用電線サイズ : CAVS 0.3~0.5
AVSSH 0.3~0.5

NOTES

- 1. MATING FEMALE TERMINAL NO. : 7116-1847-02 ETC.
- 2. APPLICABLE WIRE SIZE : CAVS 0.3~0.5
AVSSH 0.3~0.5

PART NO.	MATERIAL
7114-1847-02	COPPER ALLOY TIN PLATING
7114-1847-08	COPPER ALLOY GOLD PLATING



SEC. A-A

ISSUE MARK

				CUSTOMER				MATL. SEE TABLE				TREAT. & FIN.													
				CUSTOMER PART NO.				CUSTOMER DWG NO.				SPEC. (t=0.25)													
02.11.04				NEW				C02-X569				T.H													
LET DATE				REVISION RECORD				NO. CHKD				OFFICE													
												TRIAL PART NO.													
												NAME RK-TYPE TERMINAL MALE													
												(MAT SEAL)													
GENERAL TOLERANCE								VENDOR NO.								PART NO. 7114-1847-02 ETC.									
10MAX		50MAX		100MAX		250MAX		2500VR		ANGLE		ECCENT		DWG TYPE		DWG SOURCE		DWG DATE		UNIT		SCL		ANGLE	
A ±0.15		±0.2		±0.3		±0.5		±0.75		±30'		0.1		R		NEW		02.11.04		mm		5/1		3	
B ±0.2		±0.3		±0.55		±0.95		±1.4		±30'		0.1		APPROVED		CHECKED		CHECKED		DESIGN		DRAWN			
C ±0.3		±0.5		±0.8		±1.4		±2		±30'		0.15		T. HAMAI		K. WACHI									
SPECIFIED								MASS								DWG NO. 7114-1847-02:R									
								g								SET DWG NO.									
																YAZAKI CORPORATION									

