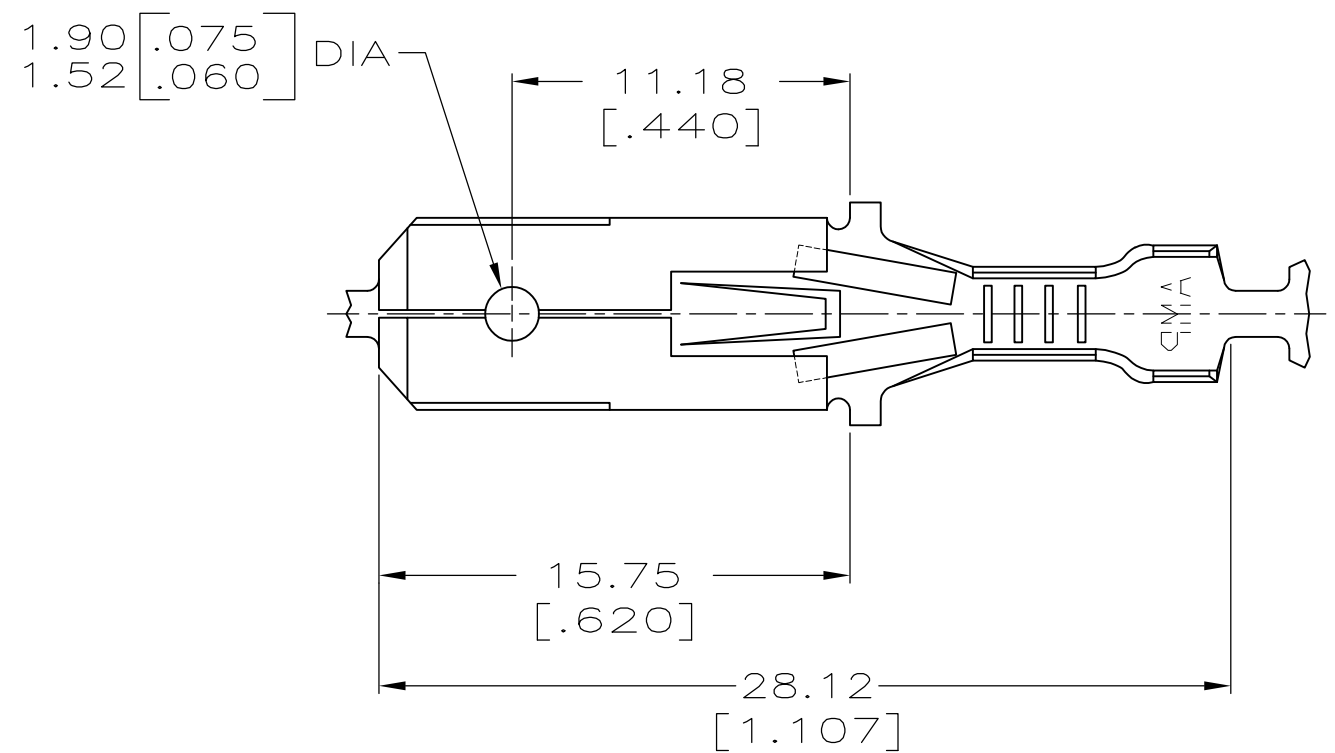
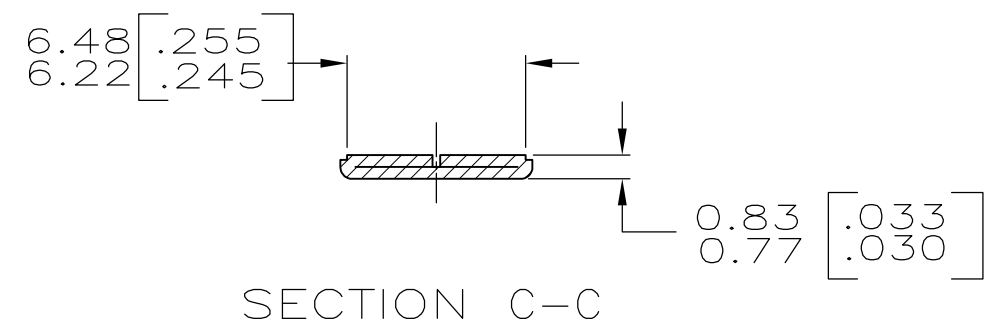


THIS DRAWING IS UNPUBLISHED. RELEASED FOR PUBLICATION
 © COPYRIGHT - By - ALL RIGHTS RESERVED.

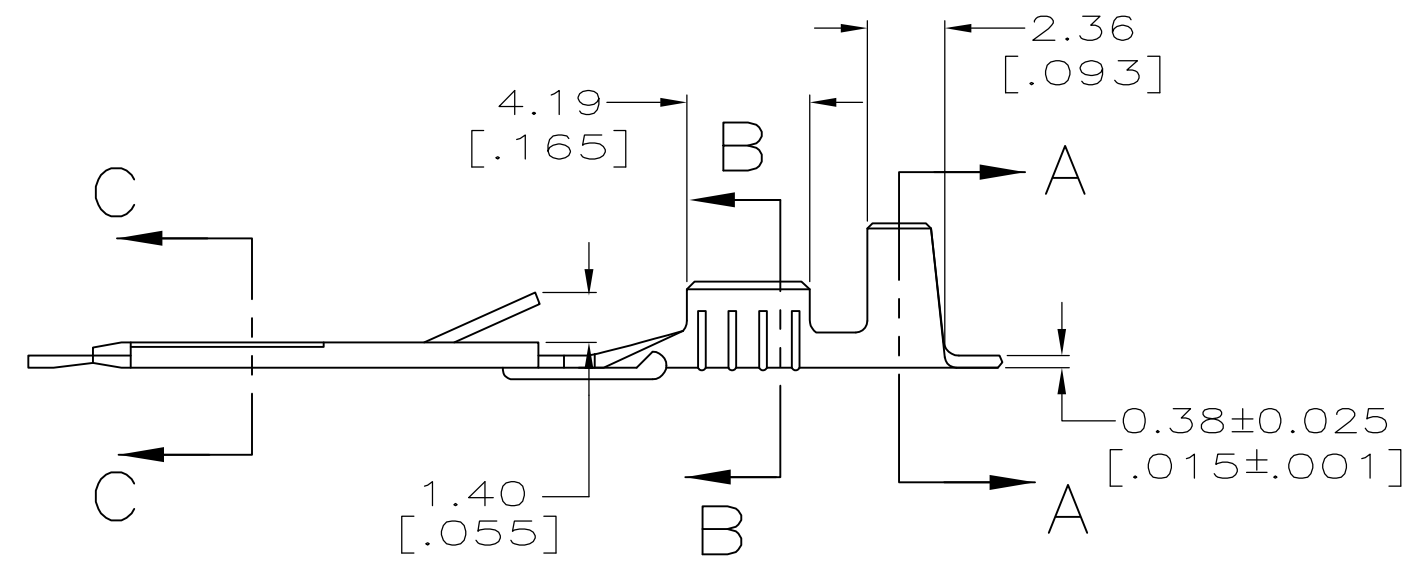
LOC	DIST	REVISIONS			
P	LTR	DESCRIPTION	DATE	DWN	APVD
AF	50	N	REVISED PER ECR-13-005733	28AUG2013	KH PD



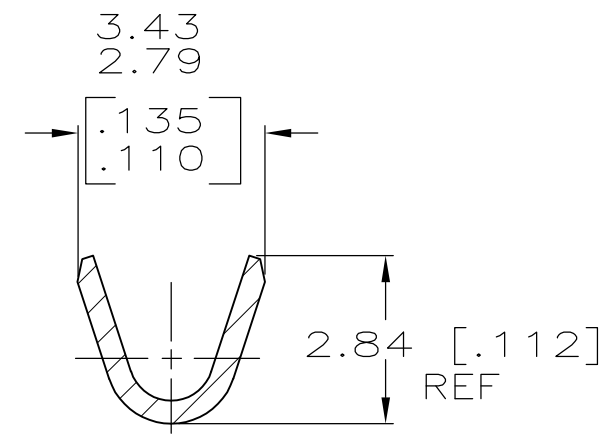
- CONTINUOUS STRIP ON REELS.
- WIRE SIZE [#22-#18] AWG.
- INSULATION RANGE IS 2.16-3.18 [.085-.125] DIA.



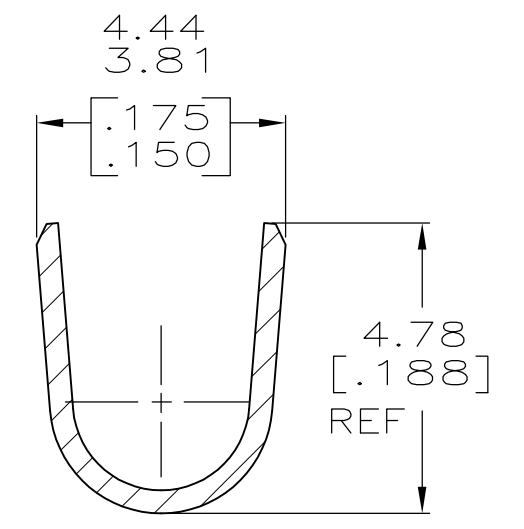
SECTION C-C



SECTION B-B
SCALE 8:1



SECTION A-A
SCALE 8:1



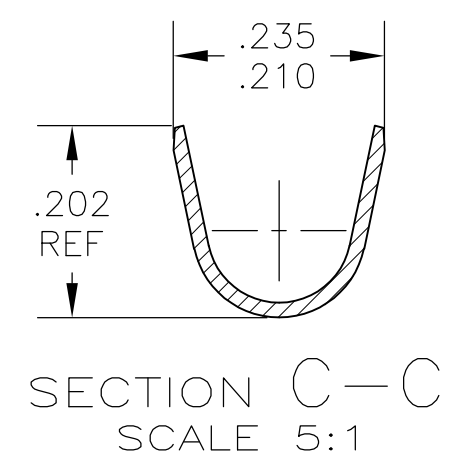
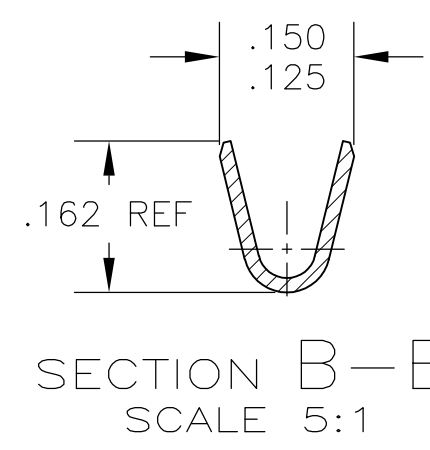
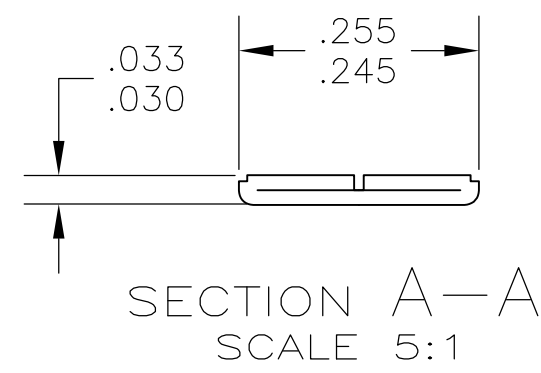
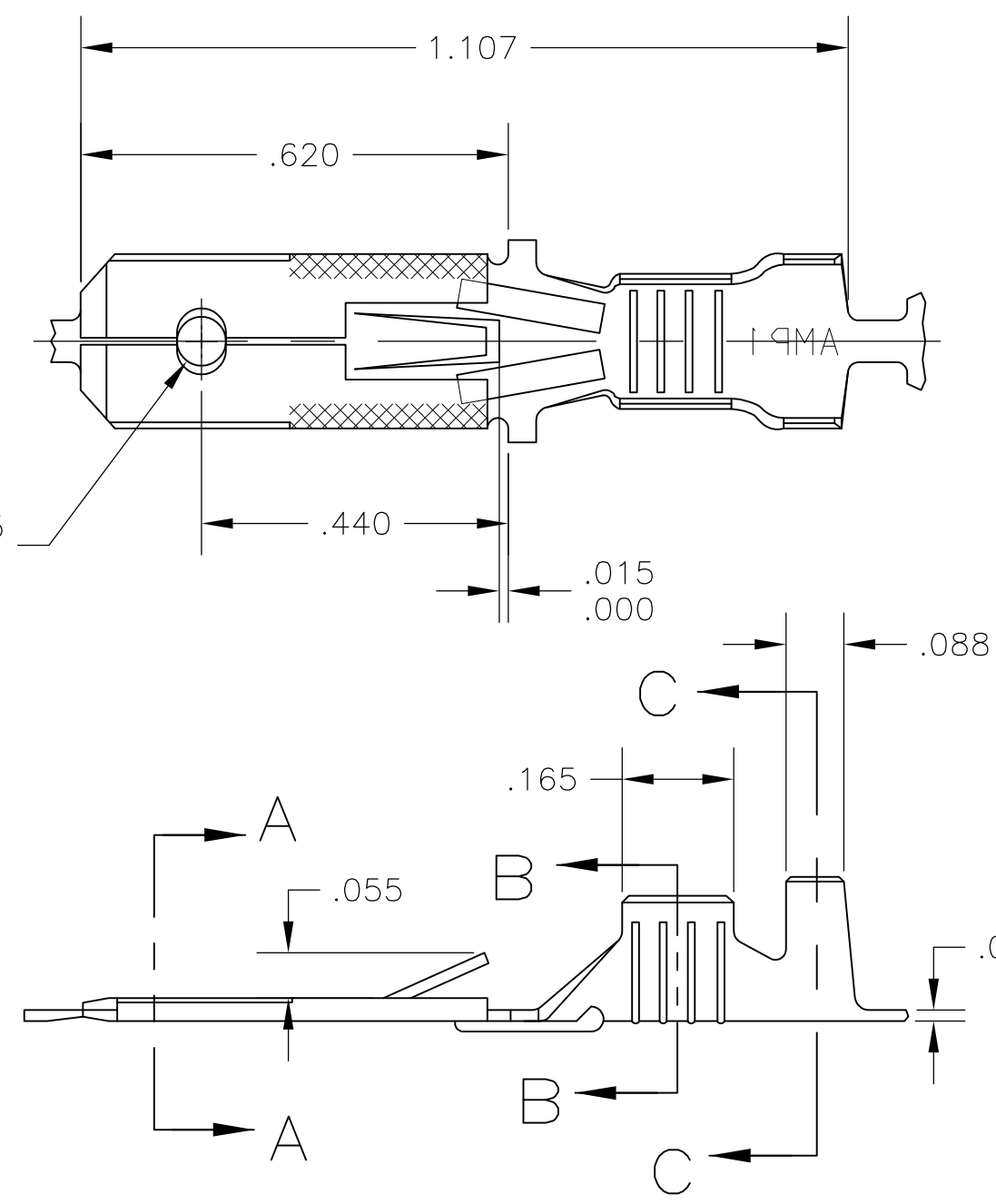
PRE-TIN	62553-4
TIN	62553-3
-	62553-1
FINISH	PART NO.

THIS DRAWING IS A CONTROLLED DOCUMENT.		DWN	JR RUTH	3/27/97	TE Connectivity NAME TAB, FASTIN-FASTON, 6.35 [.250] SERIES								
DIMENSIONS: mm [INCHES]		CHK	MS FEHER	3/27/97									
TOLERANCES UNLESS OTHERWISE SPECIFIED:		APVD	J GILLESPIE	3/27/97									
0 PLC ± - 1 PLC ± - 2 PLC ± 0.38 [.015] 3 PLC ± - 4 PLC ± - ANGLES ± -		PRODUCT SPEC	-										
MATERIAL	BRASS	FINISH	SEE TABLE	APPLICATION SPEC	114-2025	SIZE	A3	CAGE CODE	00779	DRAWING NO	C-62553	RESTRICTED TO	-
CUSTOMER DRAWING					WEIGHT	-	SCALE		4:1	SHEET	1 OF 1	REV	N

THIS DRAWING IS UNPUBLISHED. RELEASED FOR PUBLICATION
 © COPYRIGHT - By - ALL RIGHTS RESERVED.

LOC	DIST	REVISIONS			
P	LTR	DESCRIPTION	DATE	DWN	APVD
AF	50	AC	REVISED PER ECR-13-005733	22AUG13	KH PD

- 1 CONTINUOUS STRIP ON REELS.
- 2 WIRE SIZE IS #18-#14.
- 3 INSULATION RANGE IS .100-.170 DIA.
- 4 FOREIGN PRODUCTION ONLY.
- 5 PREPRODUCTION - FASR REQUIRED.
- 6 PRELIMINARY - NOT FOR PRODUCTION.



FINISH	MATERIAL	PART NO
NICKEL	BRASS	42460-9
PRE-TIN	BRASS	42460-8
OBSOLETE	SILVER .000120 MIN #2H BRASS	42460-7
-	#2H PHOS BRZ	42460-6
PRE-TIN	BRASS	42460-5
OBSOLETE	TIN .000080 MIN #2H PHOS BRZ	42460-4
SILVER .000120 MIN	BRASS	42460-3
TIN	BRASS	42460-2
-	BRASS	42460-1

THIS DRAWING IS A CONTROLLED DOCUMENT.		DWN	JR RUTH	9/17/90	TE Connectivity TAB, FASTIN-FASTON, .250 SERIES					
DIMENSIONS: INCHES		CHK	MS FEHER	9/17/90				NAME		
TOLERANCES UNLESS OTHERWISE SPECIFIED:		APVD	R KUZO	9/17/90				SIZE		
0 PLC ± - 1 PLC ± - 2 PLC ± - 3 PLC ± .015 4 PLC ± - ANGLES ± -		PRODUCT SPEC	-	CAGE CODE						
MATERIAL SEE TABLE		FINISH	SEE TABLE	WEIGHT	-	DRAWING NO				
SEE TABLE		SEE TABLE		CUSTOMER DRAWING		RESTRICTED TO				
				A3 00779		C-42460				
				SCALE 4:1		SHEET 1 OF 1				
						REV AC				