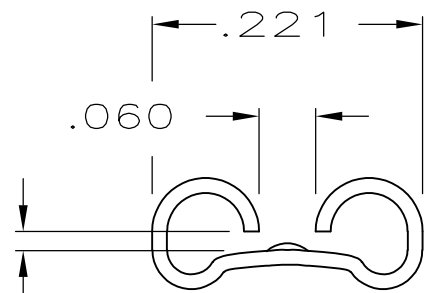
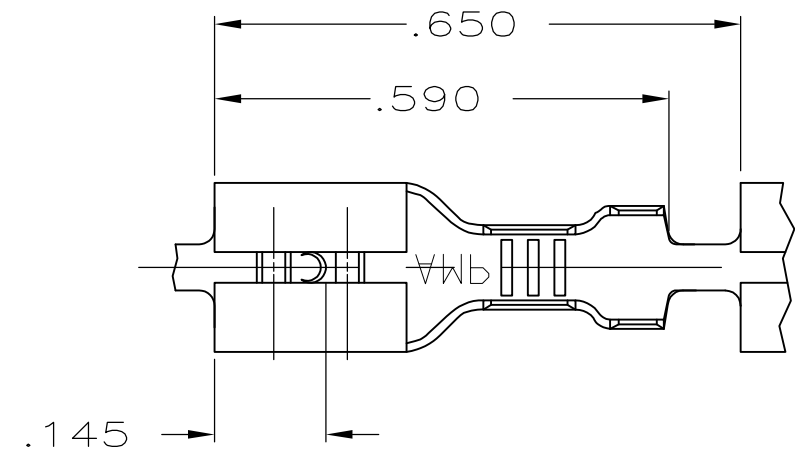


THIS DRAWING IS UNPUBLISHED. RELEASED FOR PUBLICATION
 © COPYRIGHT - By - ALL RIGHTS RESERVED.
 THIS DRAWING IS UNPUBLISHED. RELEASED FOR PUBLICATION ,19
 © COPYRIGHT 1965 BY AMP INCORPORATED, HARRISBURG, PA. ALL INTERNATIONAL RIGHTS RESERVED. AMP PRODUCTS MAY BE COVERED BY U.S. AND FOREIGN PATENTS AND/OR PATENTS PENDING.

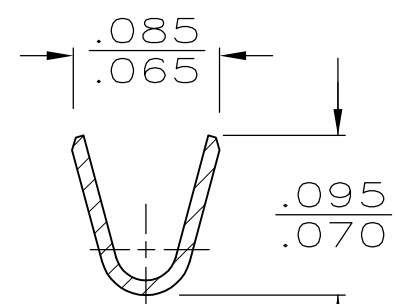
LOC	DIST	REVISIONS					
AF	50	P	LTR	DESCRIPTION	DATE	DWN	APVD
			AA	REVISED PER ECR-12-013445	27OCT12	KH	PD

1 CONTINUOUS STRIP ON REELS.

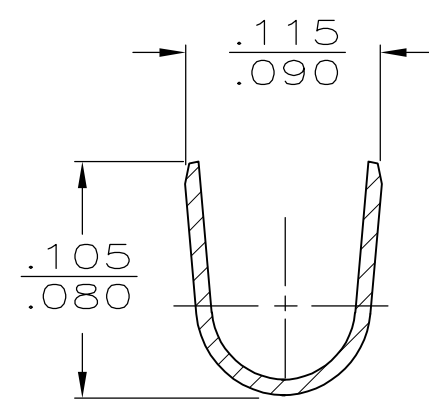


FITS .187 SERIES FASTON TAB

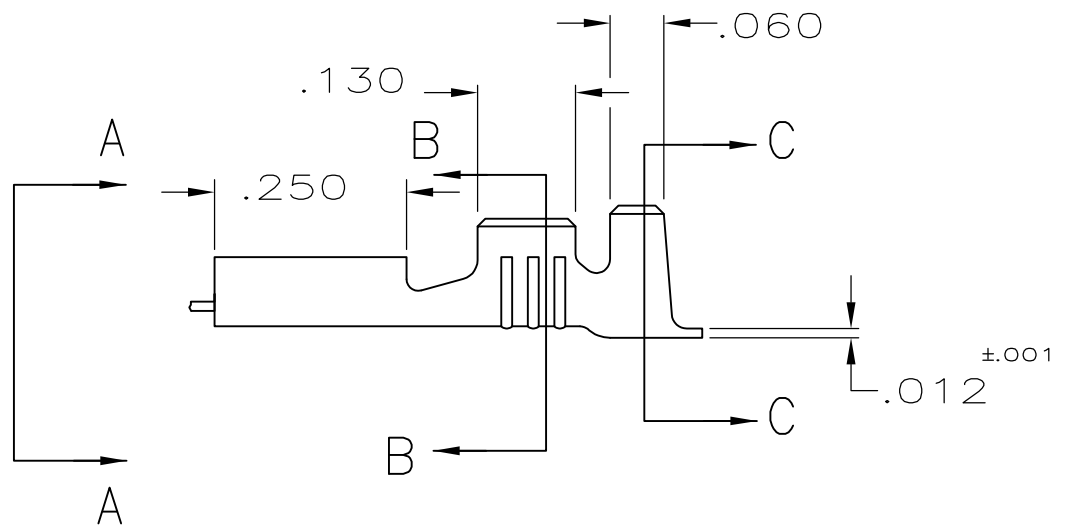
VIEW A-A



SECTION B-B



SECTION C-C



—	BRASS	.040-.070	24-20	.020 ±.001	60573-2
TIN	BRASS	.040-.070	24-20	.020 ±.001	60573-1
FINISH	MATERIAL	INSULATION RANGE	WIRE SIZE	TAB THK.	PART NO

THIS DRAWING IS A CONTROLLED DOCUMENT.		DWN	JR RUTH	10-3-86	STE TE Connectivity												
DIMENSIONS: INCHES		CHK	G YETTER	10/4/86													
TOLERANCES UNLESS OTHERWISE SPECIFIED:		APVD	C MEYERS	10/4/86													
<table border="0"> <tr><td>0 PLC</td><td>± -</td></tr> <tr><td>1 PLC</td><td>± -</td></tr> <tr><td>2 PLC</td><td>± -</td></tr> <tr><td>3 PLC</td><td>± .015</td></tr> <tr><td>4 PLC</td><td>± -</td></tr> <tr><td>ANGLES</td><td>± -</td></tr> </table>		0 PLC	± -	1 PLC		± -	2 PLC	± -	3 PLC	± .015	4 PLC	± -	ANGLES	± -	PRODUCT SPEC		NAME
0 PLC	± -																
1 PLC	± -																
2 PLC	± -																
3 PLC	± .015																
4 PLC	± -																
ANGLES	± -																
MATERIAL: SEE ABOVE		FINISH: SEE ABOVE		APPLICATION SPEC	RESTRICTED TO												
		WEIGHT		—	SIZE	CAGE CODE	DRAWING NO	—									
		CUSTOMER DRAWING		—	A3	00779	C-60573	—									
		SCALE		NTS	SHEET	1 OF 1	REV	AA									

THIS DRAWING IS UNPUBLISHED.

RELEASED FOR PUBLICATION

ALL RIGHTS RESERVED.

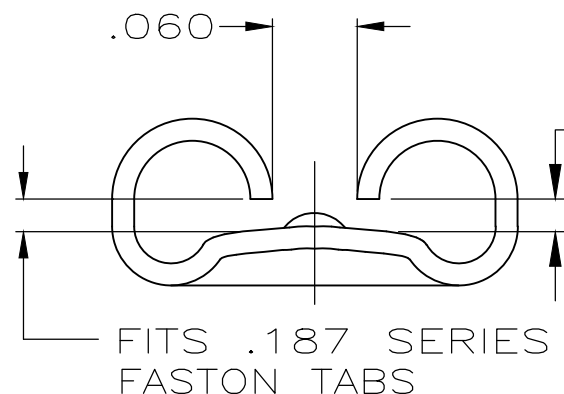
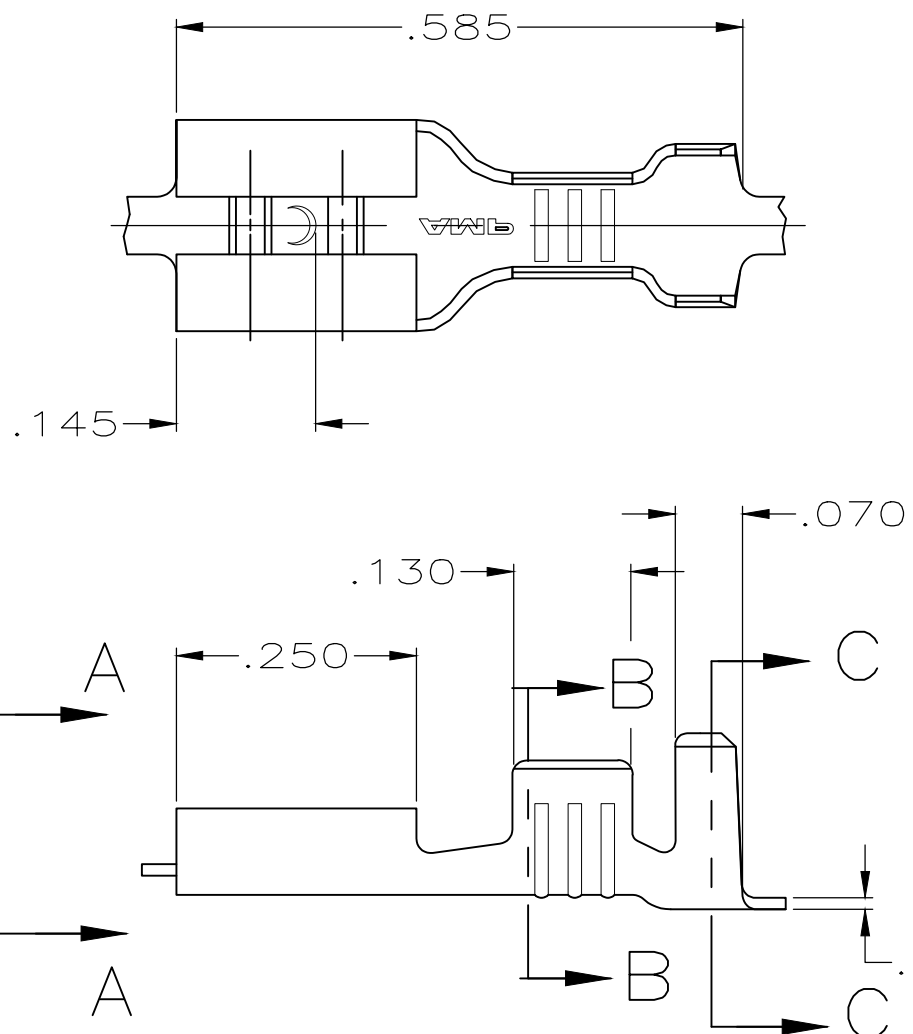
© COPYRIGHT - By -

LOC AF DIST 50

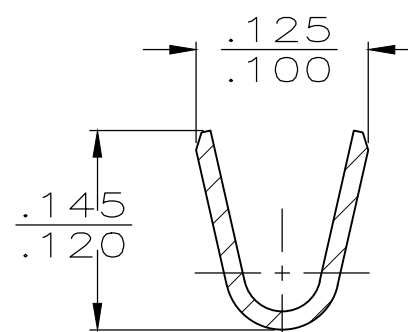
REVISIONS

P	LTR	DESCRIPTION	DATE	DWN	APVD
G1		REVISED PER ECR-20-009164	28JUL2020	MK	DH

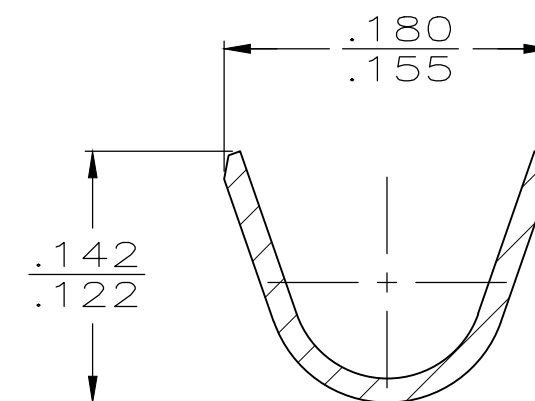
- 1 CONTINUOUS STRIP ON REELS.
- 2 FEED TO BE .650
- 3 PRELIMINARY - NOT FOR PRODUCTION



VIEW A-A
SCALE 10:1



SECTION B-B
SCALE 10:1



SECTION C-C
SCALE 10:1

.060-.110 DIA	#20-16 AWG	.021-.019	SILVER	3 62137-3
			TIN	62137-2
			-	62137-1
INSULATION RANGE	WIRE SIZE	MATING TAB THK	FINISH	PART NO.

THIS DRAWING IS A CONTROLLED DOCUMENT.		DWN JR RUTH 8/21/91	TE Connectivity RECEPTACLE, FASTON, .187 SERIES		
DIMENSIONS: INCHES		CHK MS FEHER 8/21/91			
TOLERANCES UNLESS OTHERWISE SPECIFIED:		APVD C MEYERS 8/21/91			
0 PLC ± - 1 PLC ± - 2 PLC ± - 3 PLC ± .015 4 PLC ± - ANGLES ± -		NAME			
MATERIAL BRASS		FINISH SEE TABLE	PRODUCT SPEC -	APPLICATION SPEC -	RESTRICTED TO -
CUSTOMER DRAWING			SIZE A3	CAGE CODE 00779	DRAWING NO C-62137
			SCALE 5:1	SHEET 1 OF 1	REV G1