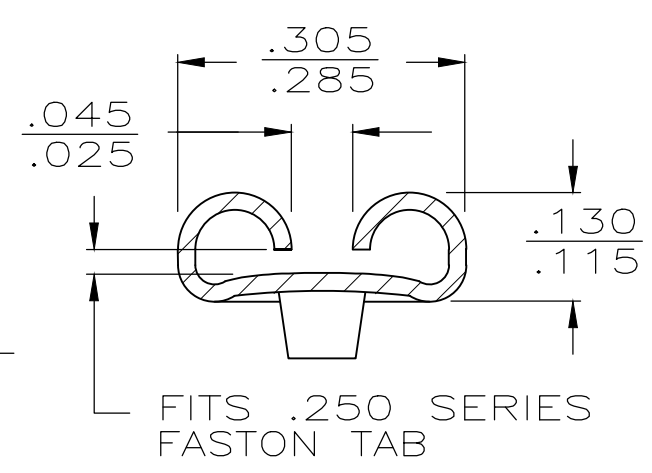
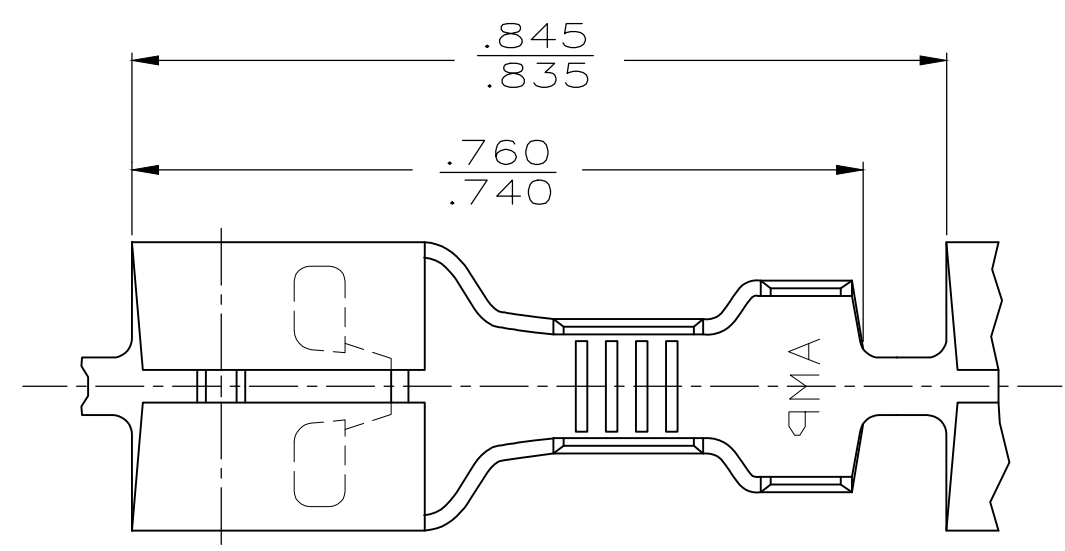


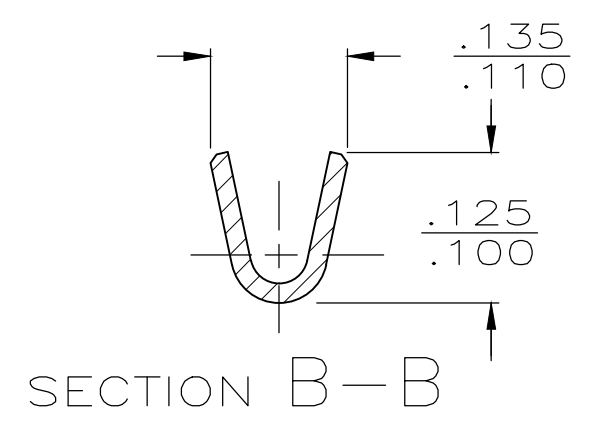
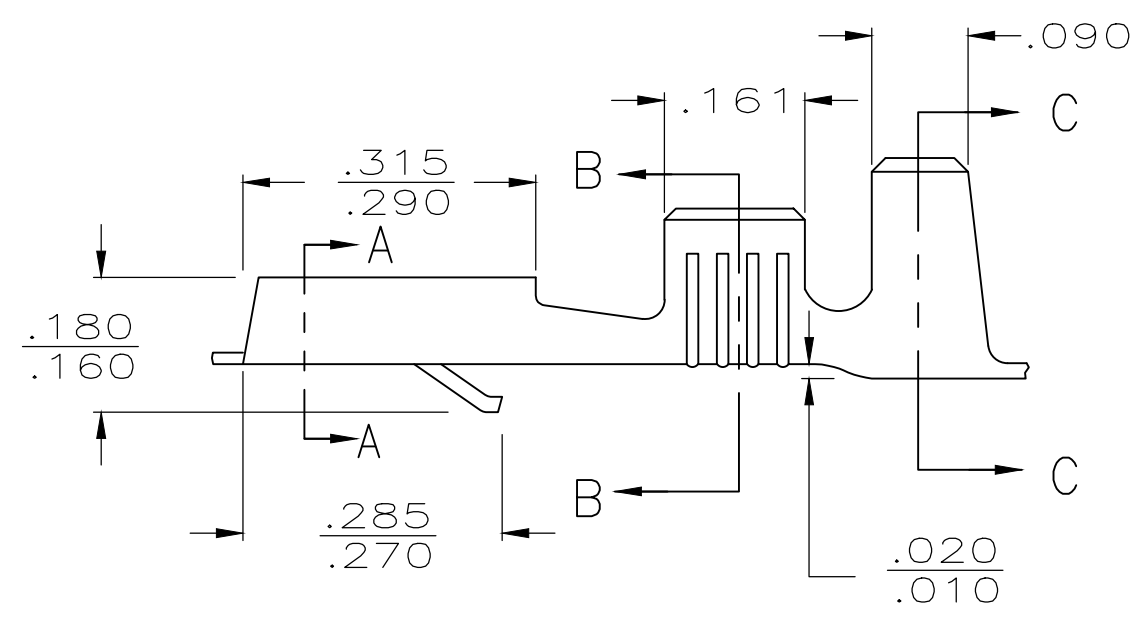
THIS DRAWING IS UNPUBLISHED. RELEASED FOR PUBLICATION
 © COPYRIGHT - By - ALL RIGHTS RESERVED.

LOC	DIST	REVISIONS			
P	LTR	DESCRIPTION	DATE	DWN	APVD
AF	50	AD1	REVISED PER ECR-20-005366	19MAY2020	SS DL

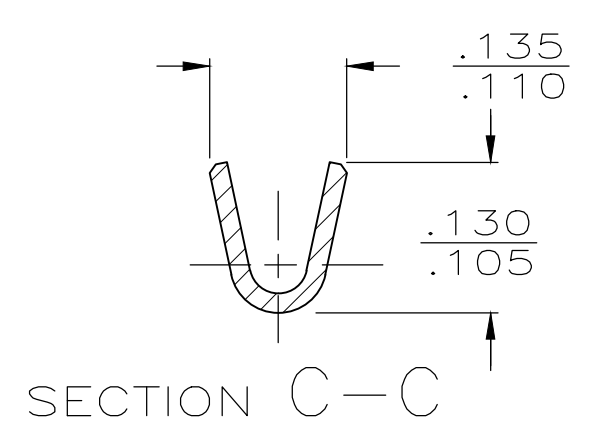


SECTION A-A

- 1 CONTINUOUS STRIP ON REELS.
- 2 REELED WITH INTERLEAVING PAPER.
- 3 OBSOLETE PART



SECTION B-B



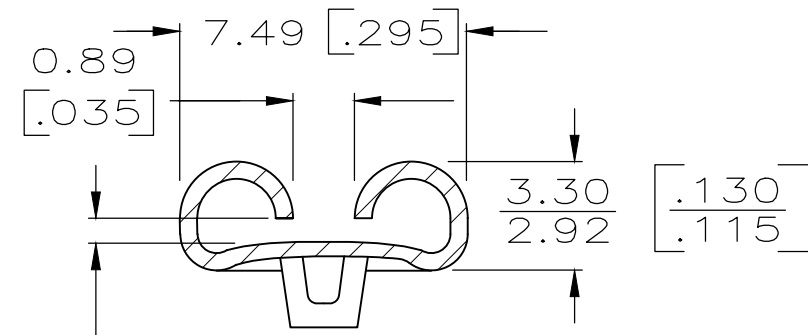
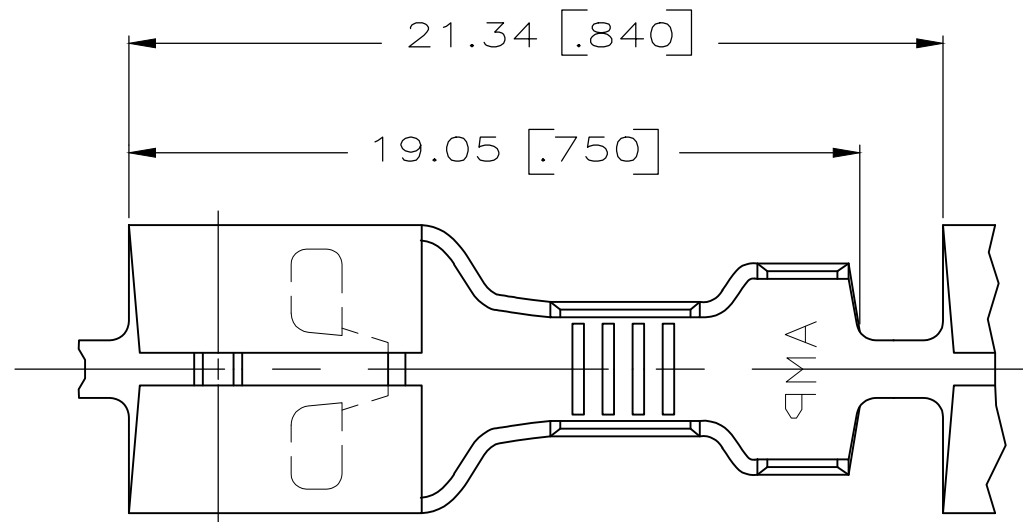
SECTION C-C

3	TIN	.060-.100	22-18	.032 ±.001	2	60413-3
	-	.060-.100	22-18	.032 ±.001		60413-2
	TIN	.060-.100	22-18	.032 ±.001		60413-1
	FINISH	INSULATION RANGE	WIRE SIZE	TAB THK		PART NO.

THIS DRAWING IS A CONTROLLED DOCUMENT.		DWN JR RUTH 28APR86	TE Connectivity			
DIMENSIONS: INCHES		CHK M FEHER 30APR86				
TOLERANCES UNLESS OTHERWISE SPECIFIED:		APVD C MEYERS 15AUG86	NAME .250 SERIES FASTON - FASTON RECEPTACLE			
0 PLC ± - 1 PLC ± - 2 PLC ± - 3 PLC ± .015 4 PLC ± - ANGLES ± -		PRODUCT SPEC -	APPLICATION SPEC -			
MATERIAL BRASS	FINISH SEE ABOVE	WEIGHT -	SIZE A3	CAGE CODE 00779	DRAWING NO C-60413	RESTRICTED TO -
CUSTOMER DRAWING			SCALE 5:1	SHEET 1 OF 1	REV AD1	

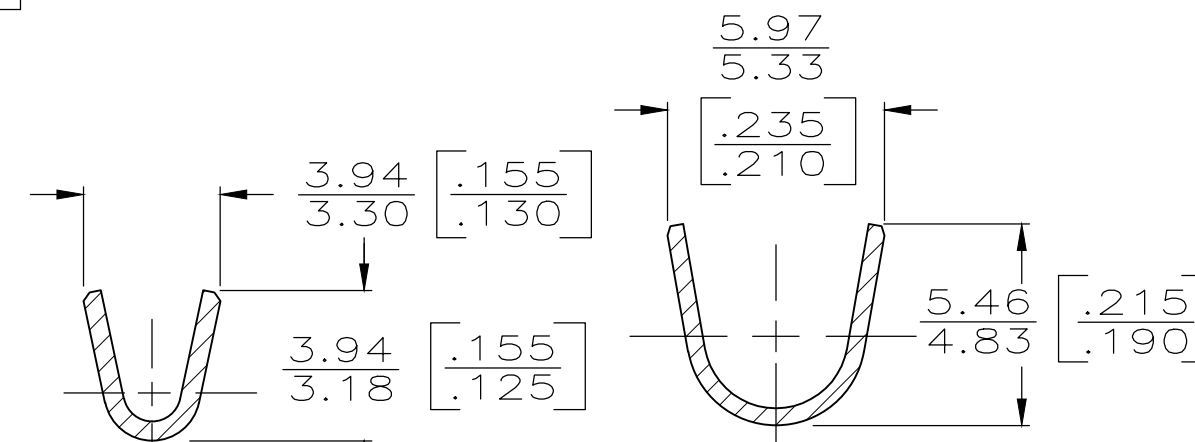
THIS DRAWING IS UNPUBLISHED. RELEASED FOR PUBLICATION
 © COPYRIGHT - By - ALL RIGHTS RESERVED.

REVISIONS					
P	LTR	DESCRIPTION	DATE	DWN	APVD
AP2		REVISED PER ECR-20-005366	21APR2020	SS	DL



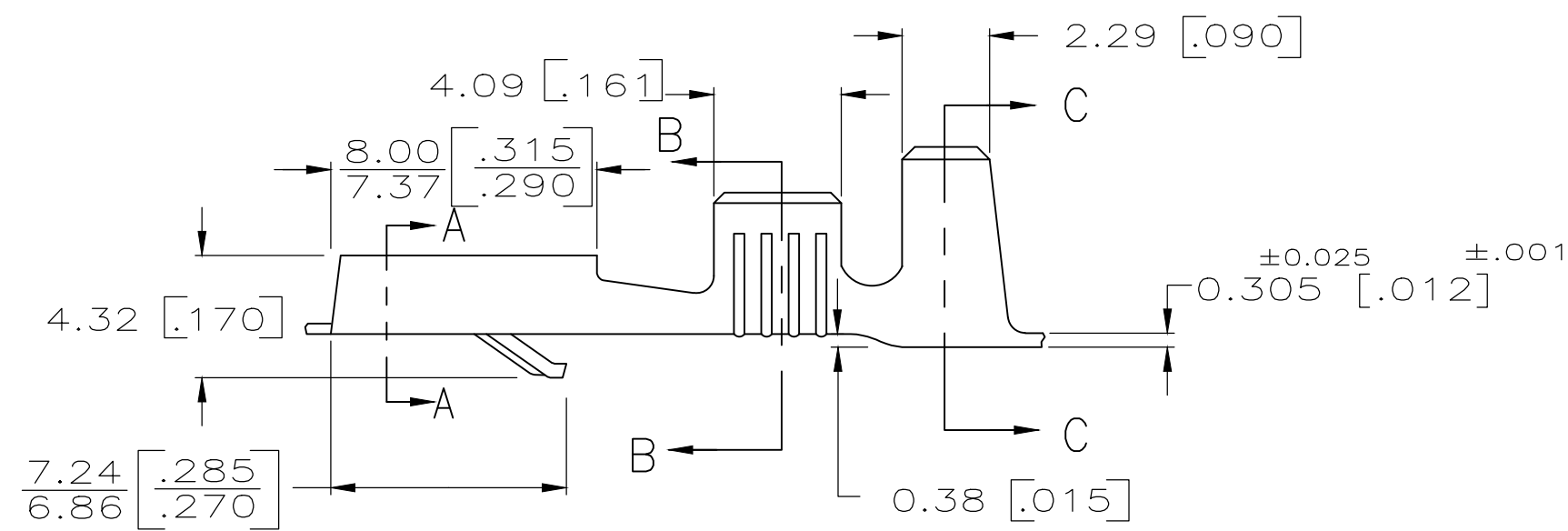
FITS 6.35 [.250] SERIES FASTON TAB

SECTION A-A



SECTION B-B

SECTION C-C



- 1 DIMENSIONS IN BRACKETS ARE IN INCHES.
- 2 CONTINUOUS STRIP ON REELS.
- 3 FOR FOREIGN PRODUCTION ONLY.
- 4 NO RIB IN LOCKING LANCE.
- 5 NO STRESS RELIEVING
- 6 REELED WITH INTERLEAVING PAPER
- 8 OBSOLETE PARTS: OBSOLETE CIS STREAMLINING PER D.RENAUD/D.SINISI
- 9 SAME AS 42100-9 BUT REVERSE REELED.

FINISH	MATERIAL	INSULATION RANGE	WIRE SIZE	TAB THK	PART NO	
TIN	BRASS	2.54 - 4.32 [.100 - .170]	0.8 - 2.0 mm ² [18 - 14]	±0.025 0.81 [.032 ±.001]	1-42100-9	
TIN	BRASS				42100-9	
TIN	BRASS				2-42100-2	
TIN	BRASS				2-42100-4	
TIN	BRASS				1-42100-2	
TIN	BRASS				1-42100-1	
SILVER	BRASS				42100-3	
TIN	BRASS				42100-2	
BRASS	BRASS	42100-1				
LOOSE PIECE	FINISH	MATERIAL	INSULATION RANGE	WIRE SIZE	TAB THK	PART NO

THIS DRAWING IS A CONTROLLED DOCUMENT.		DWN	JR RUTH	2/5/88	TE TE Connectivity
DIMENSIONS: INCHES		CHK	MS FEHER	2/5/88	
TOLERANCES UNLESS OTHERWISE SPECIFIED:		APVD	C MEYERS	2/8/88	
0 PLC ± - 1 PLC ± - 2 PLC ± - 3 PLC ± 0.25 [.010] 4 PLC ± - ANGLES ± -		PRODUCT SPEC	NAME		
MATERIAL	SEE ABOVE	FINISH	SEE ABOVE	WEIGHT	0.000000
CUSTOMER DRAWING		SCALE	5:1	SHEET	1 OF 1
		SIZE	A2	CAGE CODE	00779
		DRAWING NO	C=42100		RESTRICTED TO
		REV	AP2		