

4

3

2

1

THIS DRAWING IS UNPUBLISHED.

RELEASED FOR PUBLICATION

ALL RIGHTS RESERVED.

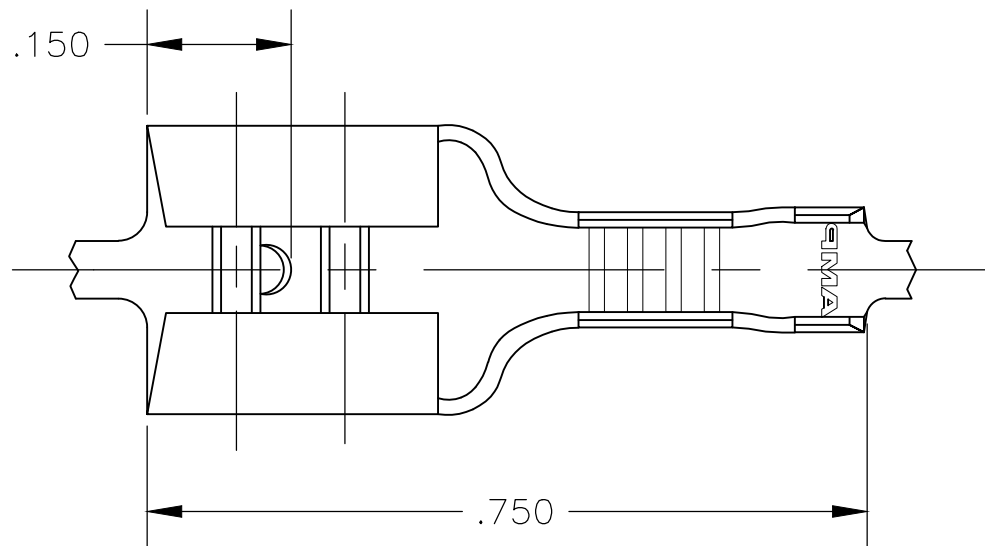
© COPYRIGHT - By -

LOC
AF

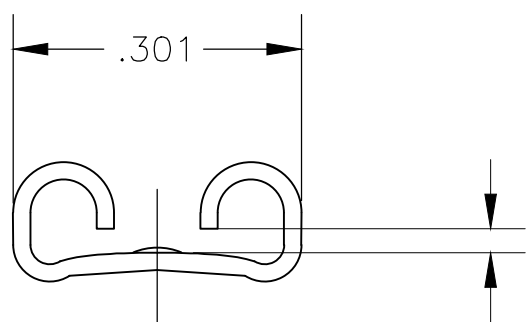
DIST
50

REVISIONS

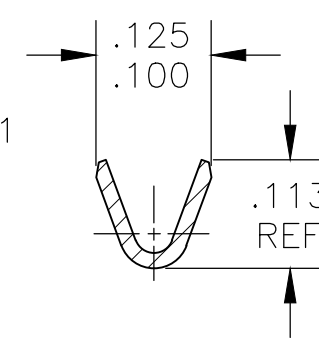
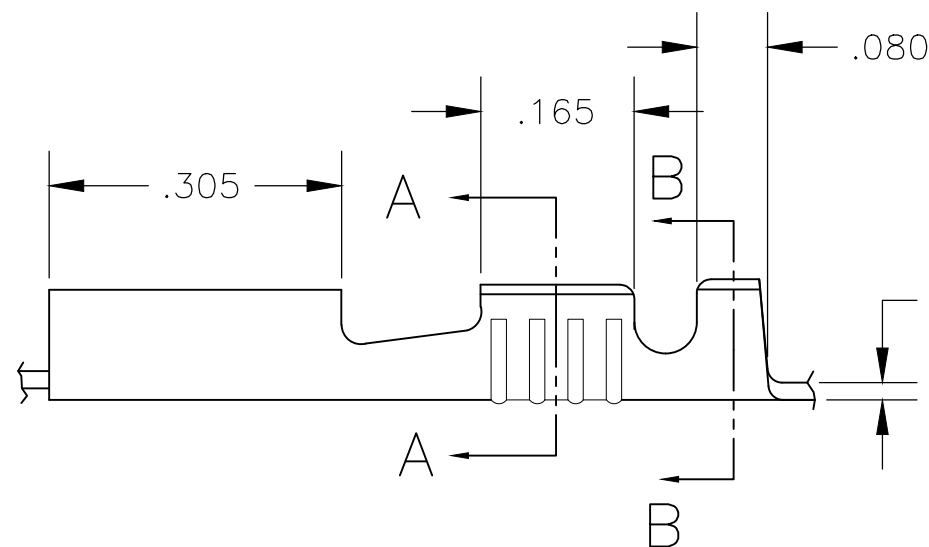
P	LTR	DESCRIPTION	DATE	DWN	APVD
	H	REVISED PER ECR-12-013445	09NOV12	KH	PD
	H1	REVISED PER ECR-20-009164	14JUL2020	MK	DH



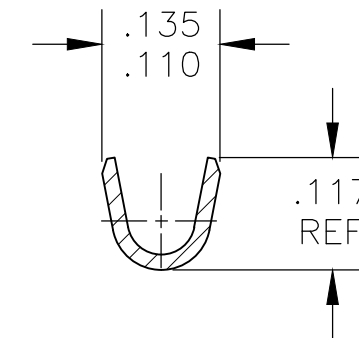
- 1 CONTINUOUS STRIP ON REELS
- 2 WIRE SIZE IS 22-18 AWG
- 3 INSULATION RANGE IS .060-.100 DIA
- 4 FEED IS $.840 \pm .005$
- 5 MATING TAB THK IS $.033-.030$



GAP AS REQUIRED TO MEET FORCE SPECIFICATIONS AND $.028$ MAX



SECTION A-A



SECTION B-B

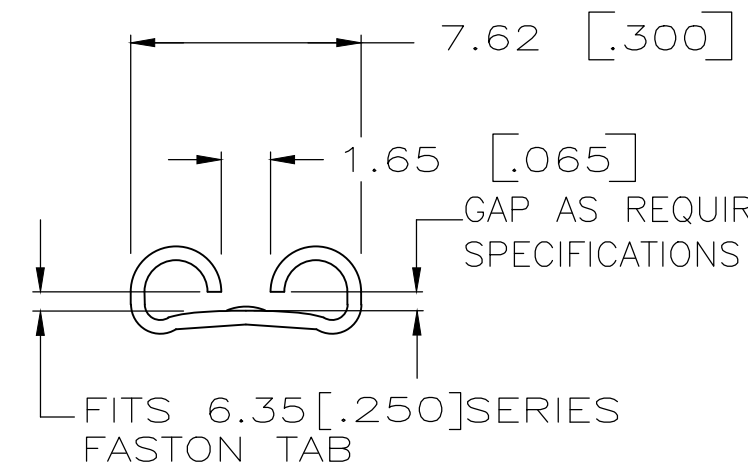
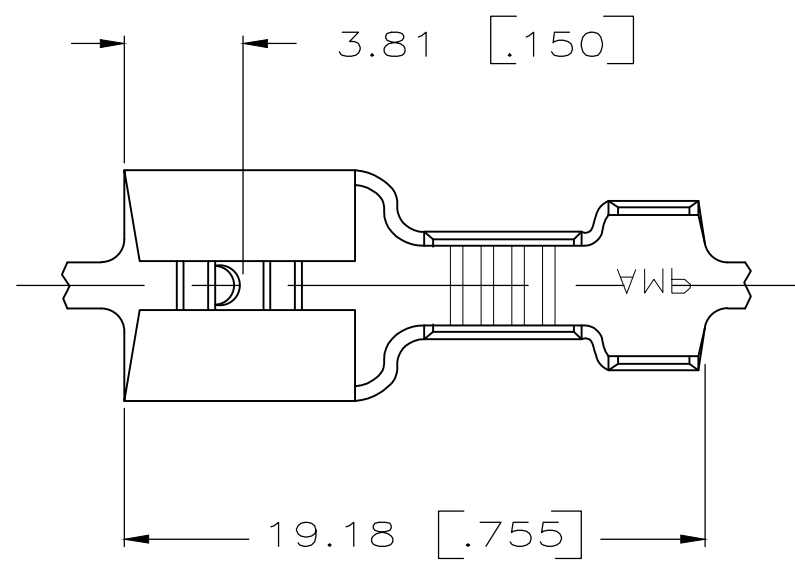
TIN	42640-2
-	42640-1
FINISH	PART NO

THIS DRAWING IS A CONTROLLED DOCUMENT.		DWN jr_ruth 13JAN2004	TE Connectivity															
DIMENSIONS: INCHES		CHK P_DESANTIS 13JAN04				NAME RECEPTACLE, FASTON, .250 SERIES												
TOLERANCES UNLESS OTHERWISE SPECIFIED:		APVD P_DESANTIS 13JAN04																
<table border="0"> <tr> <td>0 PLC</td><td>± -</td></tr> <tr> <td>1 PLC</td><td>± -</td></tr> <tr> <td>2 PLC</td><td>± -</td></tr> <tr> <td>3 PLC</td><td>± .015</td></tr> <tr> <td>4 PLC</td><td>± -</td></tr> <tr> <td>ANGLES</td><td>± -</td></tr> </table>		0 PLC				± -	1 PLC	± -	2 PLC	± -	3 PLC	± .015	4 PLC	± -	ANGLES	± -	PRODUCT SPEC -	SIZE
0 PLC	± -																	
1 PLC	± -																	
2 PLC	± -																	
3 PLC	± .015																	
4 PLC	± -																	
ANGLES	± -																	
MATERIAL BRASS	FINISH SEE TABLE	APPLICATION SPEC -	WEIGHT -	A300779	C-42640	-												
CUSTOMER DRAWING			SCALE 5:1	SHEET 1 OF 1	REV H1													

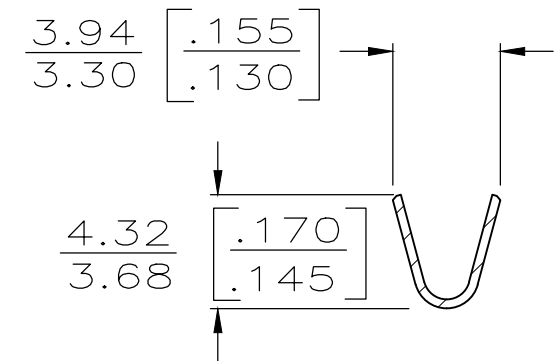
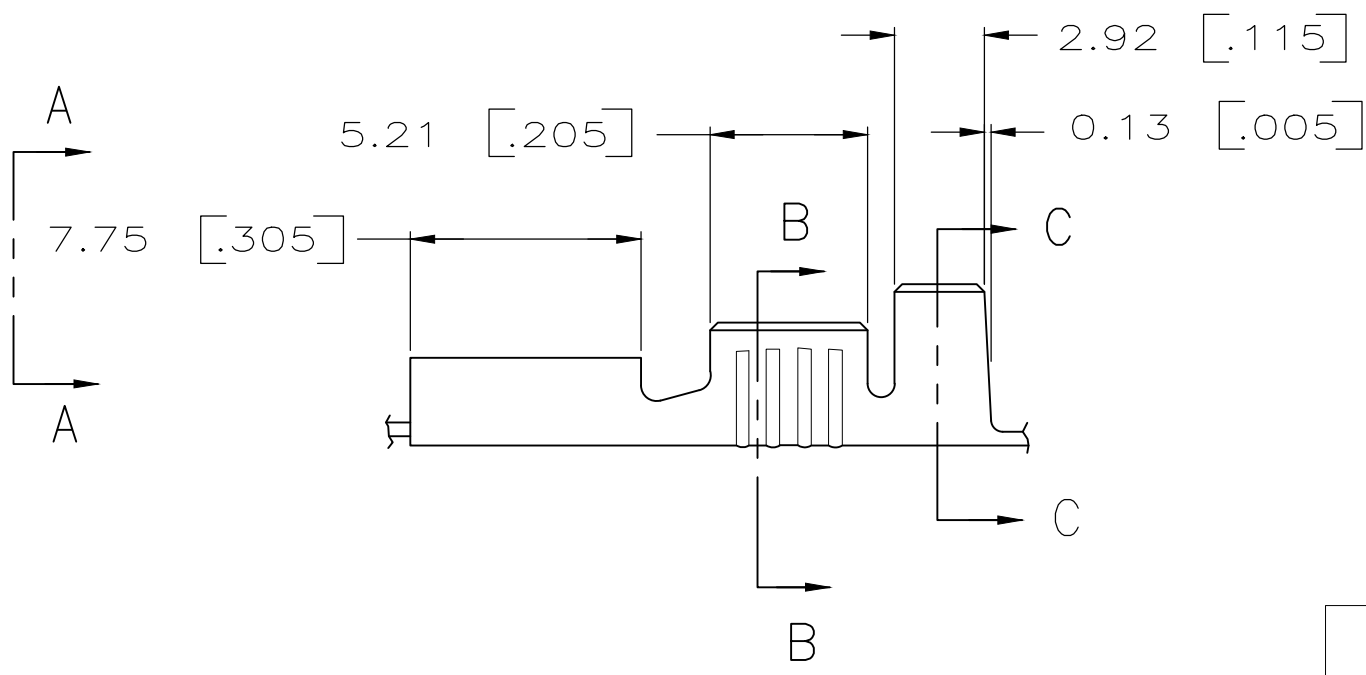
THIS DRAWING IS UNPUBLISHED. RELEASED FOR PUBLICATION
 © COPYRIGHT - By - ALL RIGHTS RESERVED.

LOC	DIST	REVISIONS					
AF	50	P	LTR	DESCRIPTION	DATE	DWN	APVD
			V1	REVISED PER ECR-20-009164	24JUL2020	MK	DH

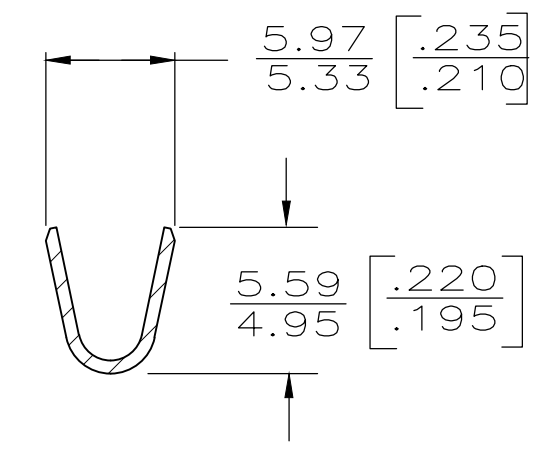
- 1 DIM'S IN BRACKETS ARE IN INCHES.
- 2 CONTINUOUS STRIP ON REELS.



VIEW A-A



SECT B-B



SECT C-C

3.05-4.32 [.120-.170] DIA	0.8-2.0mm ² [18-14] AWG	0.84-0.76 [.033-.030]	41202
INSUL RANGE	WIRE SIZE	MATING TAB THK	PART NO

0	4.57 [.180]	6.4 [.252]	F	3.05 [.120]	1.90 [.075]	2.0mm ² [14]
					1.68 [.066]	1.3mm ² [16]
					1.55 [.06]	0.8mm ² [18]
TYPE	WIDTH	STRIP LENGTH ±0.38 [±.015]	TYPE	WIDTH	±.051 [±.002] HEIGHT	WIRE
INSUL BARREL CRIMP			WIRE BARREL CRIMP			

THIS DRAWING IS A CONTROLLED DOCUMENT.

DIMENSIONS: mm [INCHES]

TOLERANCES UNLESS OTHERWISE SPECIFIED:

0 PLC	± -
1 PLC	± -
2 PLC	± 0.25 [.010]
3 PLC	± -
4 PLC	± -
ANGLES	± -
FINISH	-

MATERIAL: BRASS

DWN JR RUTH 2/7/86

CHK G YETTER 2/7/86

APVD C MEYERS 2/7/86

PRODUCT SPEC

APPLICATION SPEC

WEIGHT -

CUSTOMER DRAWING

STE TE Connectivity

NAME: RECEPTACLE, FASTON, 6.35 [.250] SERIES

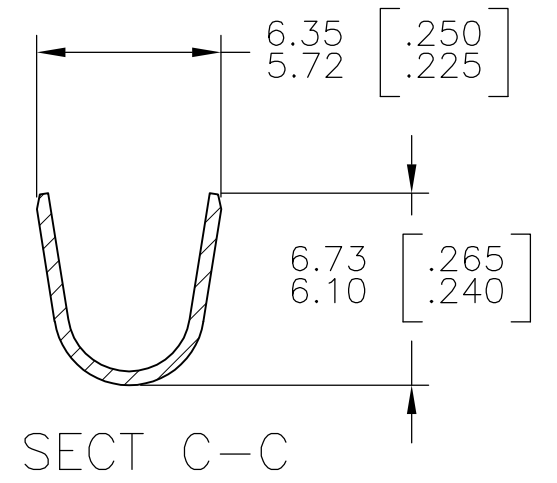
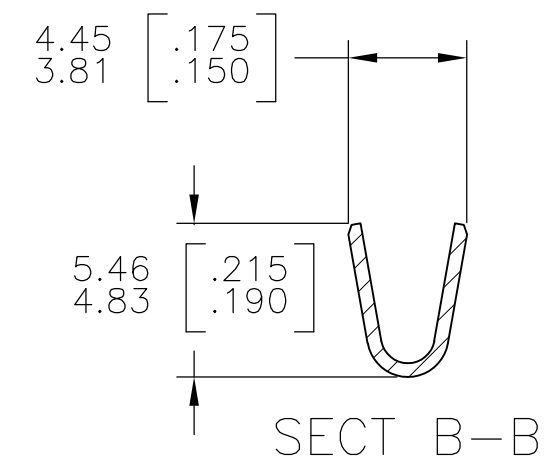
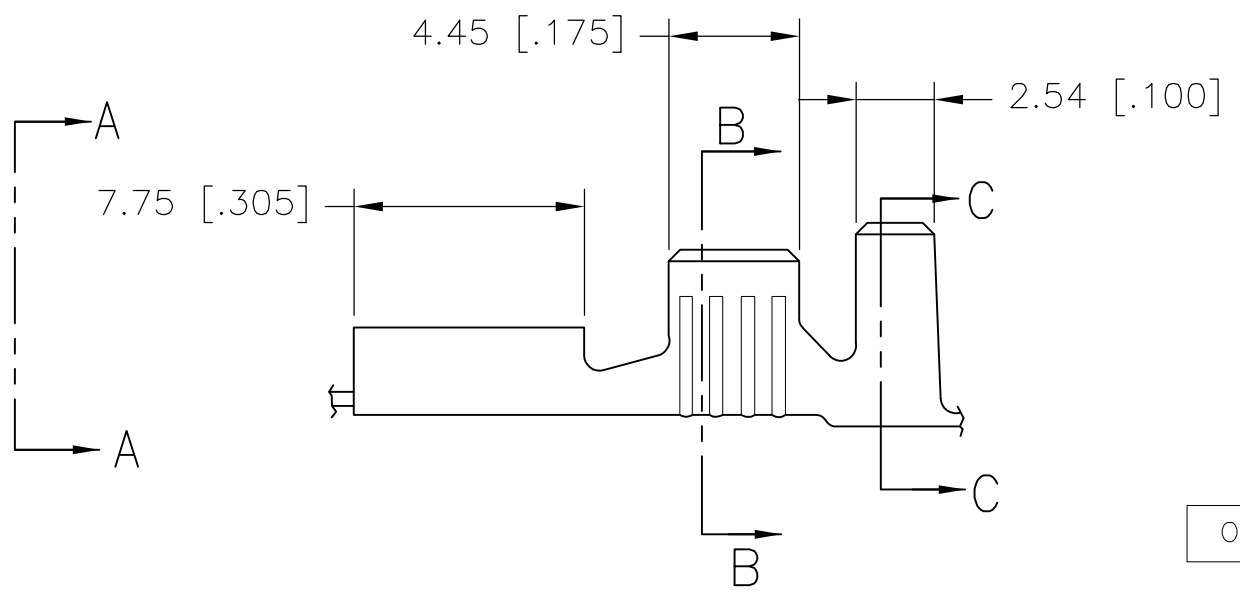
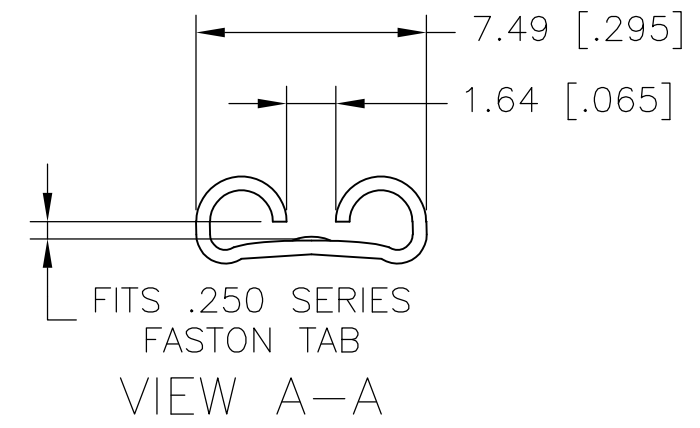
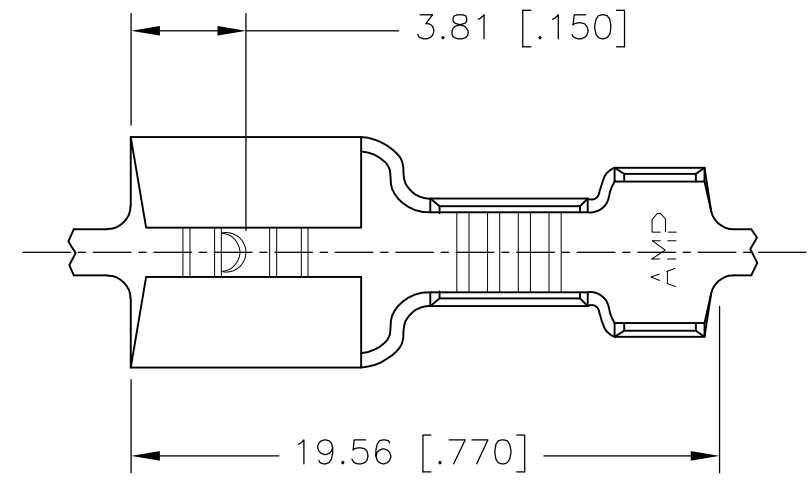
SIZE	CAGE CODE	DRAWING NO	RESTRICTED TO
A3	00779	C-41202	-

SCALE: NTS SHEET: 1 OF 1 REV: V1

THIS DRAWING IS UNPUBLISHED. RELEASED FOR PUBLICATION
 © COPYRIGHT - By - ALL RIGHTS RESERVED.

LOC	DIST	REVISIONS					
AF	50	P	LTR	DESCRIPTION	DATE	DWN	APVD
			Y1	REVISED PER ECR-12-013445	26NOV2012	KH	PD

- 1 DIM'S IN BRACKETS ARE IN INCHES.
- 2 CONTINUOUS STRIP ON REELS.



OBSOLETE	3.81-5.08 [.150-.200] DIA	2.0 - 5.0mm2 [14-10] AWG	0.81 [.032]	NICKEL	41449-2
	INSUL RANGE	WIRE SIZE	MATING TAB THK ±0.025[.001]	-	41449
				FINISH	PART NO.

0	5.33 [.210]	5.59 [.220]	F	3.30 [.130]	2.90 [.114]	5.0mm2[10]
					2.39 [.094]	3.0mm2[12]
					2.08 [.082]	2.0mm2[14]
TYPE	WIDTH	STRIP LENGTH ±0.38 [±.015]	TYPE	WIDTH	±.051[±.002] HEIGHT	WIRE
INSUL BARREL CRIMP	WIRE BARREL CRIMP					

THIS DRAWING IS A CONTROLLED DOCUMENT.

DIMENSIONS:
mm [INCHES]

TOLERANCES UNLESS
OTHERWISE SPECIFIED:

0 PLC ± -
 1 PLC ± -
 2 PLC ± .025 [.010]
 3 PLC ± -
 4 PLC ± -
 ANGLES ± -

MATERIAL: BRASS
 FINISH: SEE TABLE

DWN JR RUTH 2/7/86
 CHK G YETTER 2/7/86
 APVD C MEYERS 2/7/86

STE TE Connectivity

RECEPTACLE, FASTON,
6.35 [.250] SERIES

SIZE: A3 CAGE CODE: 00779 DRAWING NO: C-41449 RESTRICTED TO: -

CUSTOMER DRAWING SCALE: 4:1 SHEET: 1 OF 1 REV: Y1