

THIS DRAWING IS UNPUBLISHED.

RELEASED FOR PUBLICATION

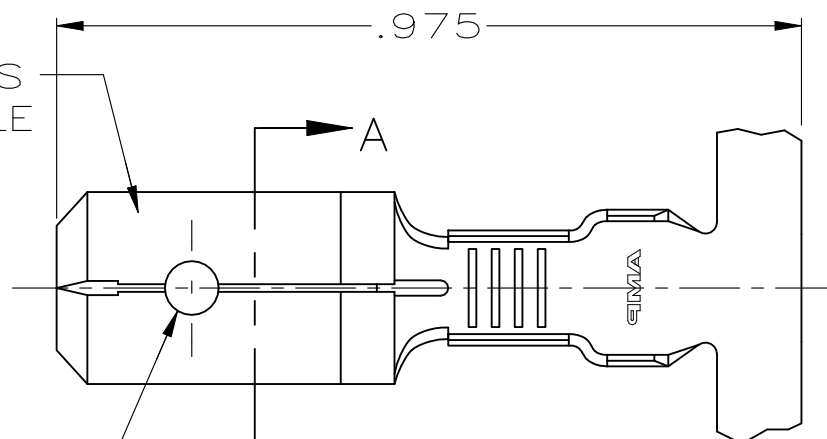
ALL RIGHTS RESERVED.

© COPYRIGHT - By -

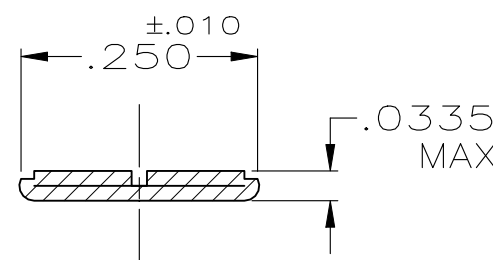
REVISIONS

P	LTR	DESCRIPTION	DATE	DWN	APVD
	J2	REVISED PER ECR-20-101061	14JAN2021	BH	E.W

FITS .250 SERIES FASTON RECEPTACLE

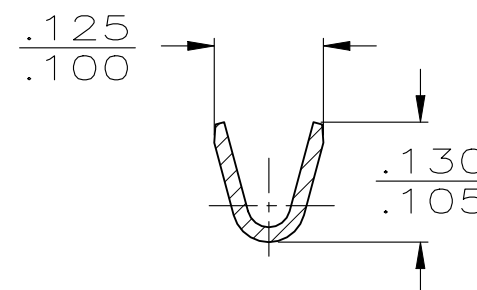
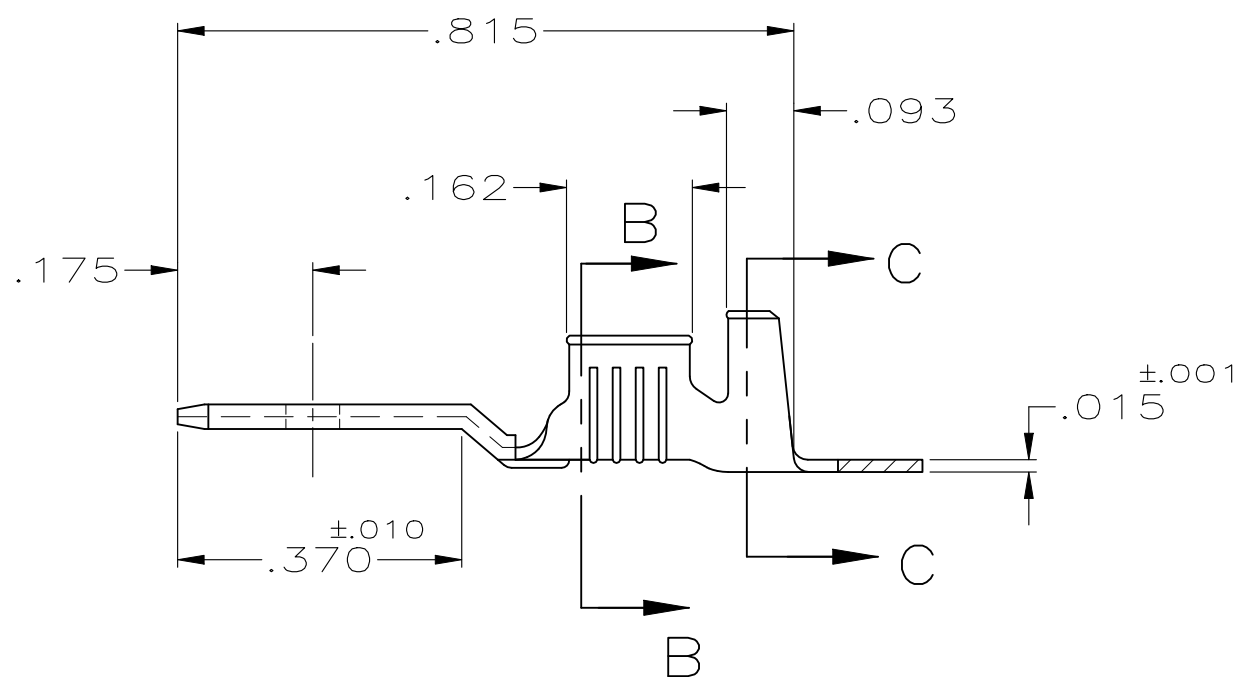


.075
.060 DIA HOLE

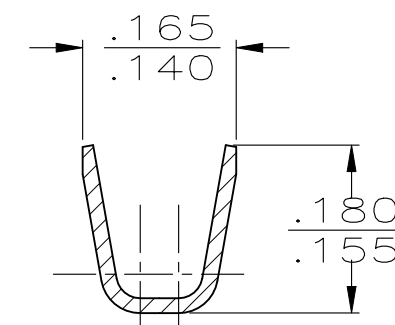


SECTION A-A
SCALE 5:1

- 1 CONTINUOUS STRIP ON REELS.
- 2 FEED TO BE .540±.005.
- 3 REVERSED REEL OF 42475-1.
- 4 REVERSED REEL OF 42475-2.
- 5 FOREIGN PRODUCTION ONLY.



SECTION B-B
SCALE 5:1



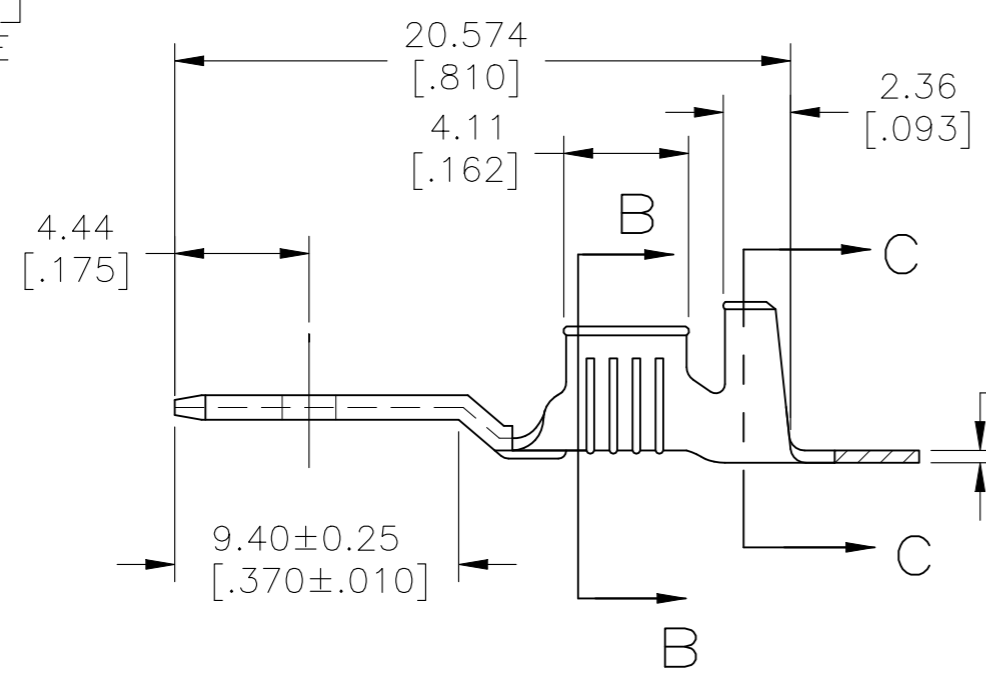
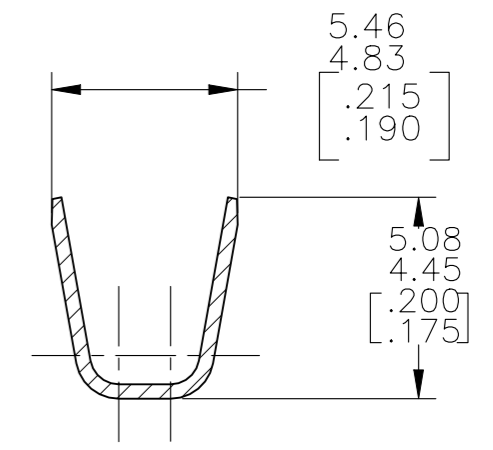
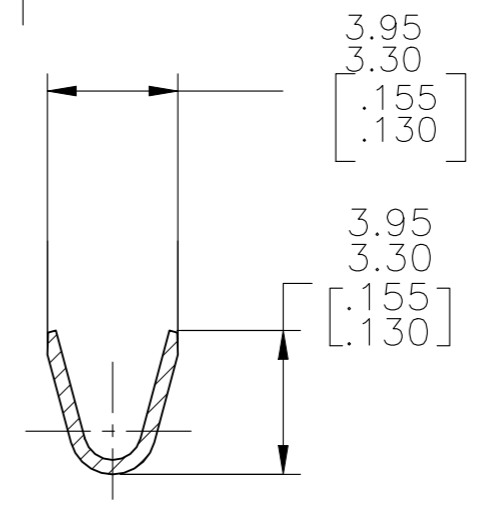
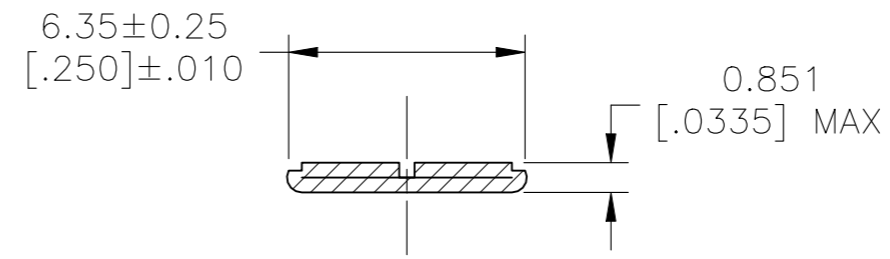
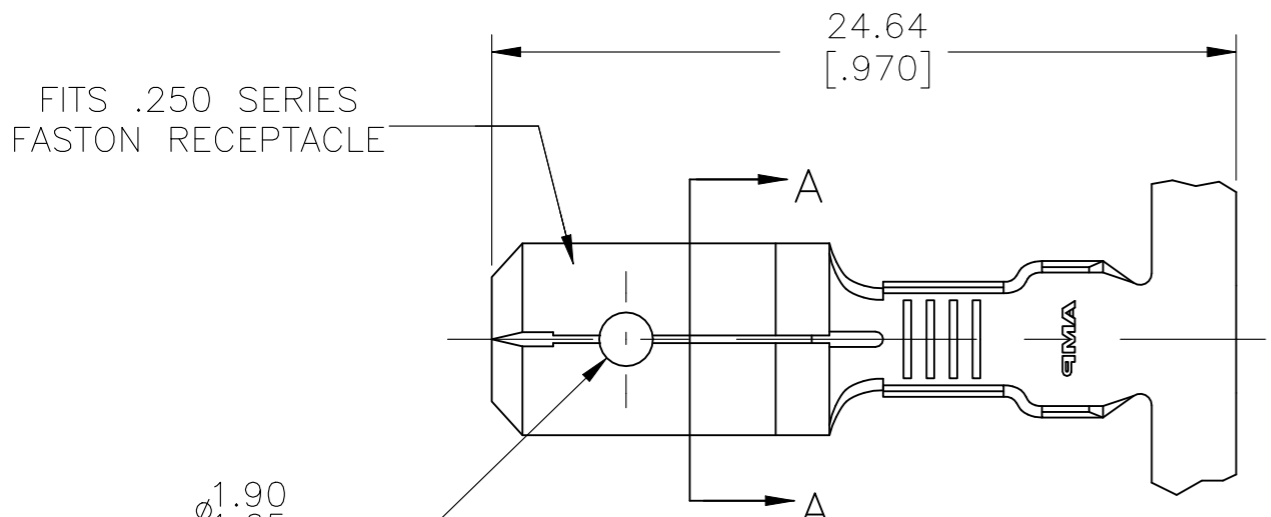
SECTION C-C
SCALE 5:1

FINISH	INSULATION RANGE	WIRE SIZE	PART NO
4 PRE-TIN	.080-.120 DIA	22-18 AWG	42475-5
4 TIN			42475-4
3 -			42475-3
5 TIN			42475-2
5 -			42475-1

THIS DRAWING IS A CONTROLLED DOCUMENT.		DWN JR RUTH 1/31/91	TE Connectivity			
DIMENSIONS: INCHES		CHK MS FEHER 1/31/91				
TOLERANCES UNLESS OTHERWISE SPECIFIED:		APVD C MEYERS 1/31/91	NAME TAB, FASTON, .250 SERIES			
		PRODUCT SPEC -	SIZE A3			
MATERIAL BRASS		FINISH SEE TABLE	APPLICATION SPEC -	CAGE CODE 00779	DRAWING NO C-42475	RESTRICTED TO -
CUSTOMER DRAWING			WEIGHT 0.000000	SCALE 4:1	SHEET 1 OF 1	REV J2

THIS DRAWING IS UNPUBLISHED. RELEASED FOR PUBLICATION
 © COPYRIGHT - By - ALL RIGHTS RESERVED.

REVISIONS					
P	LTR	DESCRIPTION	DATE	DWN	APVD
V3		REVISED PER ECR-21-101176	26MAR2021	SS	EW



0.38±0.025 [.015]±.001

6	4	PRE-TIN			42474-8
	5	TIN			42474-7
	5	-			42474-6
	5	SILVER .000120 MIN	2.794-3.81		42474-5
	4	TIN	[.110-.150]	18-14 AWG	42474-4
	3	-	DIA		42474-3
		TIN			42474-2
	5	-			42474-1
FINISH			INSULATION RANGE	WIRE SIZE	PART NO

- 1 CONTINUOUS STRIP ON REELS.
- 2 FEED TO BE .540#.005.
- 3 REVERSED REEL OF 42474-1.
- 4 REVERSED REEL OF 42474-2.
- 5 FOREIGN PRODUCTION ONLY.
- 6 LUBRICANT APPLIED AFTER TIN PLATING.

THIS DRAWING IS A CONTROLLED DOCUMENT.		DWN JR RUTH 1/31/91	STE TE Connectivity		
		CHK MS FEHER 1/31/91			
DIMENSIONS: mm [INCHES]		APVD C MEYERS 1/31/91	NAME		
TOLERANCES UNLESS OTHERWISE SPECIFIED:		PRODUCT SPEC	TAB, FASTON™ .250 SERIES		
0 PLC ± -		APPLICATION SPEC	SIZE	CAGE CODE	DRAWING NO
1 PLC ± -			—	—	—
2 PLC ± -		RESTRICTED TO	—		
3 PLC ± .015		WEIGHT	A3 00779 C-42474		
4 PLC ± -		CUSTOMER DRAWING	SCALE	SHEET	REV
ANGLES ± -			4:1	1 OF 1	V3
MATERIAL BRASS		FINISH SEE TABLE			

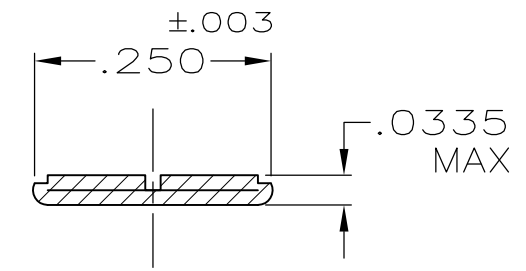
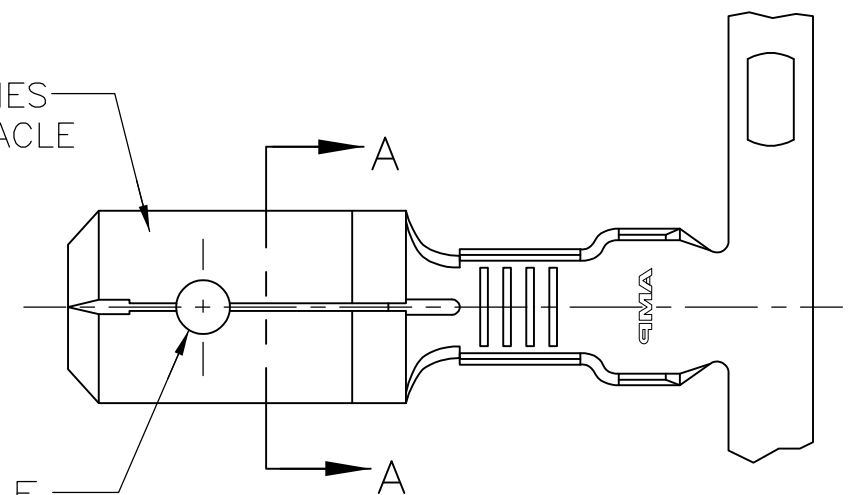
THIS DRAWING IS UNPUBLISHED. RELEASED FOR PUBLICATION
 © COPYRIGHT - By - ALL RIGHTS RESERVED.

LOC	DIST	REVISIONS			
P	LTR	DESCRIPTION	DATE	DWN	APVD
AF	50	J	REVISED PER ECR-13-011489	06DEC2013	KH PD

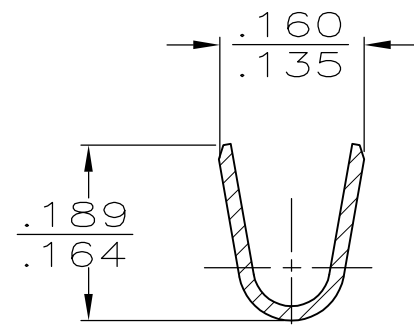
1 CONTINUOUS STRIP ON REELS.

FITS .250 SERIES FASTON RECEPTACLE

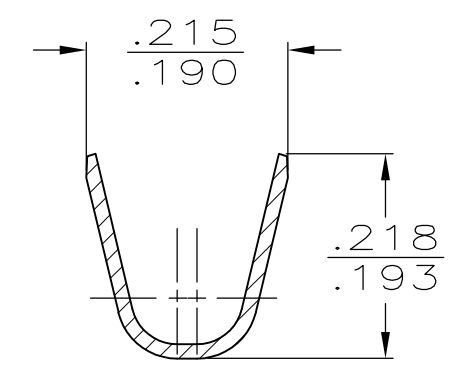
.075
.060 DIA HOLE



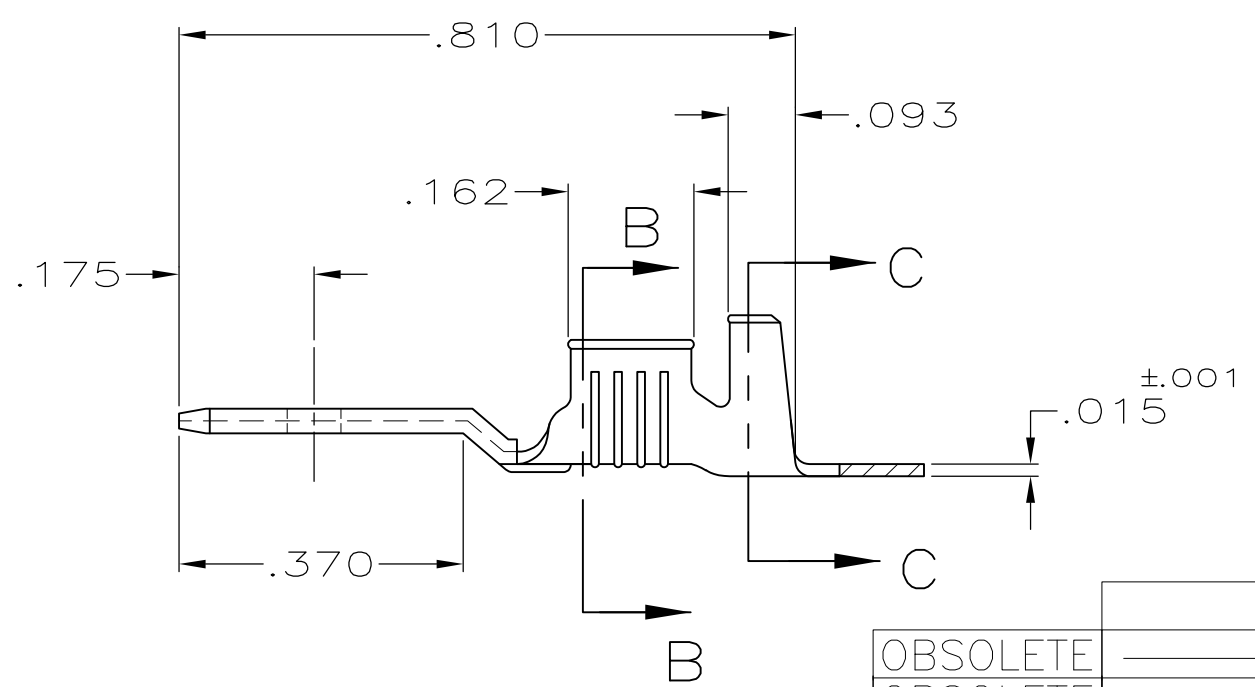
SECTION A-A
SCALE 5:1



SECTION B-B
SCALE 5:1



SECTION C-C
SCALE 5:1



TIN	.110-.170 DIA	14-12 AWG	61281-3
OBSOLETE			61281-2
OBSOLETE	SILVER .000150 MIN		61281-1
FINISH	INSULATION RANGE	WIRE SIZE	PART NO

THIS DRAWING IS A CONTROLLED DOCUMENT.		DWN JR RUTH 1/31/91	STE TE Connectivity	
		CHK MS FEHER 1/31/91		
DIMENSIONS: INCHES	TOLERANCES UNLESS OTHERWISE SPECIFIED:	APVD C MEYERS 1/31/91/31/91	NAME TAB, FASTON,™ .250 SERIES	
	0 PLC ± - 1 PLC ± - 2 PLC ± - 3 PLC ± .005 4 PLC ± - ANGLES ± -	PRODUCT SPEC -	RESTRICTED TO -	
MATERIAL BRASS	FINISH SEE TABLE	APPLICATION SPEC -	SIZE A3	CAGE CODE 00779
		WEIGHT -	DRAWING NO C-61281	
CUSTOMER DRAWING			SCALE 4:1	SHEET 1 OF 1
			REV J	