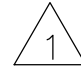

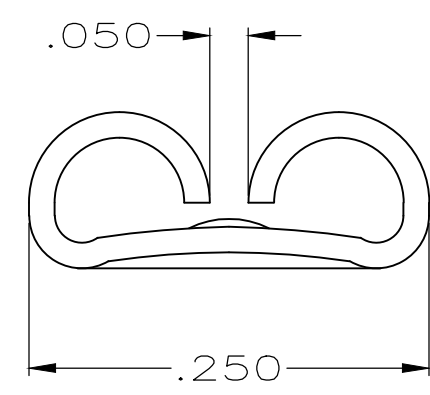
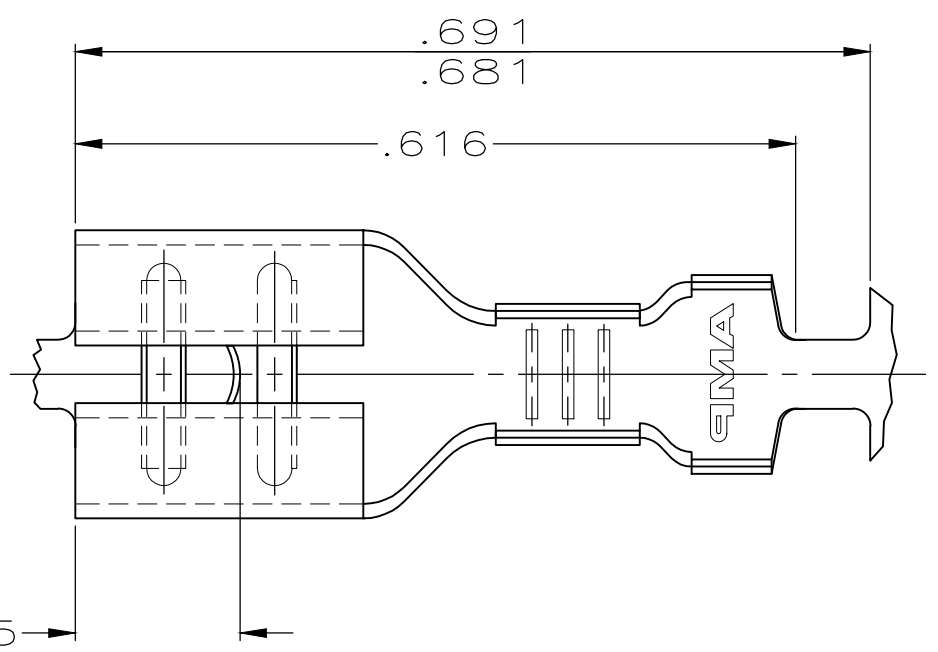


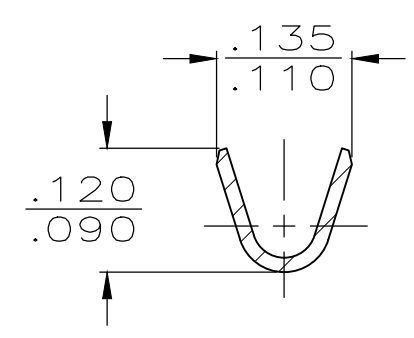
THIS DRAWING IS UNPUBLISHED. RELEASED FOR PUBLICATION
 © COPYRIGHT - By - ALL RIGHTS RESERVED.

LOC	DIST	REVISIONS			
P	LTR	DESCRIPTION	DATE	DWN	APVD
AF	50	V1	REVISED PER ECR-19-009695	08JUL2019	BDA DH

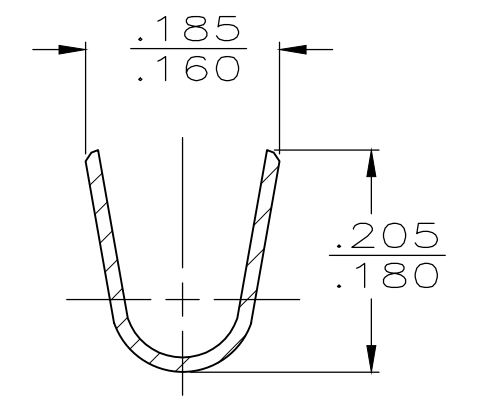
-  1 BRASS
-  2 TEMPER 3 PHOS BRONZE



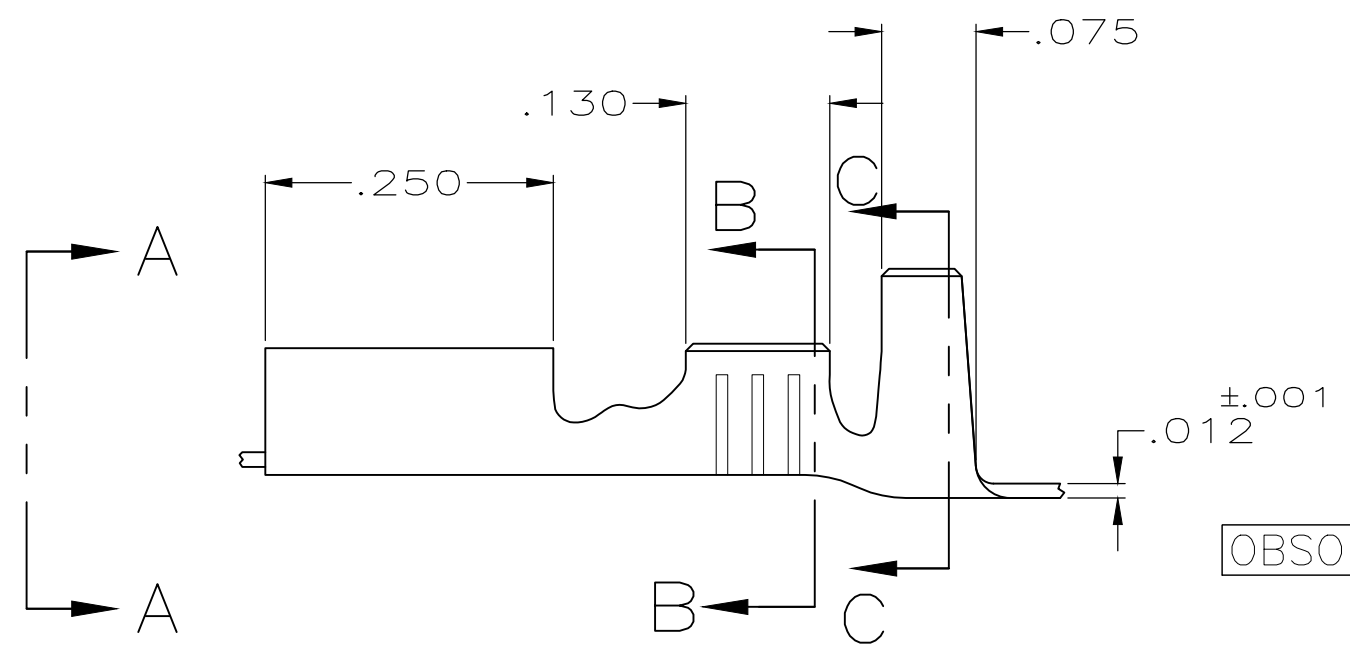
VIEW A-A



SECT. B-B



SECT. C-C



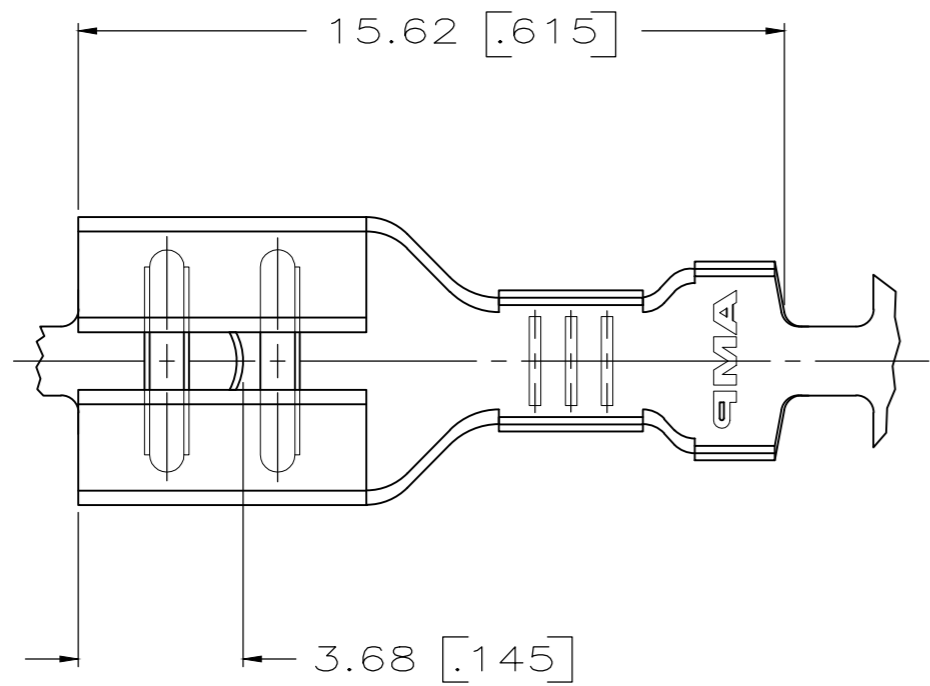
OBSOLETE	 2 TIN	.085-.125 DIA	#22-#18 AWG	42198-3
	 1 TIN			42198-2
	 1 NONE			42198-1
MATERIAL & FINISH		INSULATION RANGE	WIRE SIZE	PART NO.

THIS DRAWING IS A CONTROLLED DOCUMENT.		DWN JR RUTH 8/16/95	STE TE Connectivity														
DIMENSIONS: INCHES		CHK MS FEHER 8/16/95															
TOLERANCES UNLESS OTHERWISE SPECIFIED:		APVD P DESANTIS 8/16/95	NAME RECEPTACLE, FASTON, .205 SERIES														
<table border="1"> <tr><td>0 PLC</td><td>± -</td></tr> <tr><td>1 PLC</td><td>± -</td></tr> <tr><td>2 PLC</td><td>± -</td></tr> <tr><td>3 PLC</td><td>± .015</td></tr> <tr><td>4 PLC</td><td>± -</td></tr> <tr><td>ANGLES</td><td>± -</td></tr> </table>		0 PLC	± -	1 PLC	± -	2 PLC	± -	3 PLC	± .015	4 PLC	± -	ANGLES	± -	PRODUCT SPEC	SIZE CAGE CODE DRAWING NO RESTRICTED TO		
0 PLC	± -																
1 PLC	± -																
2 PLC	± -																
3 PLC	± .015																
4 PLC	± -																
ANGLES	± -																
MATERIAL SEE TABLE		FINISH SEE TABLE	A3 00779 C-42198														
CUSTOMER DRAWING			SCALE 6:1	SHEET 1 OF 1	REV V1												

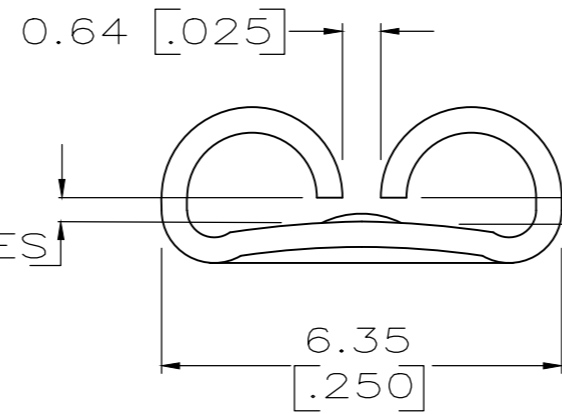
THIS DRAWING IS UNPUBLISHED. RELEASED FOR PUBLICATION
 © COPYRIGHT - By - ALL RIGHTS RESERVED.

LOC	DIST	REVISIONS			
P	LTR	DESCRIPTION	DATE	DWN	APVD
AF	50	W1	REVISED PER ECR-20-009164	12AUG2020	MK DH

- 1 DIMENSIONS IN BRACKETS ARE IN INCHES.
- 2 CONTINUOUS STRIP ON REELS

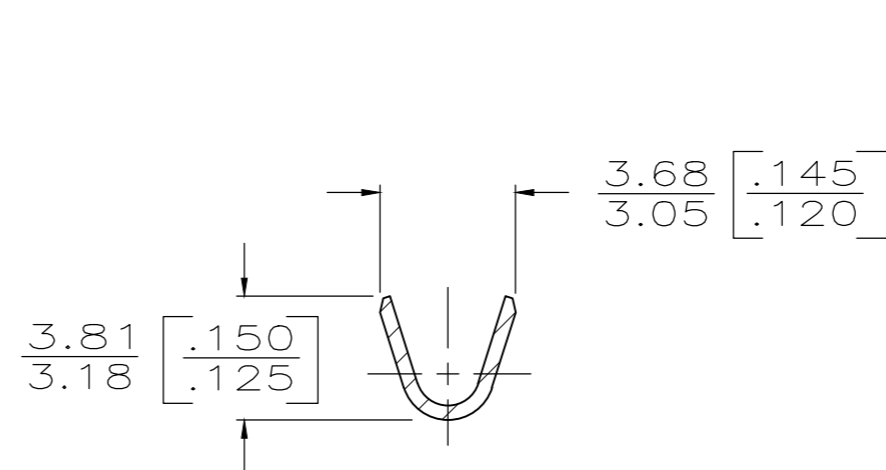
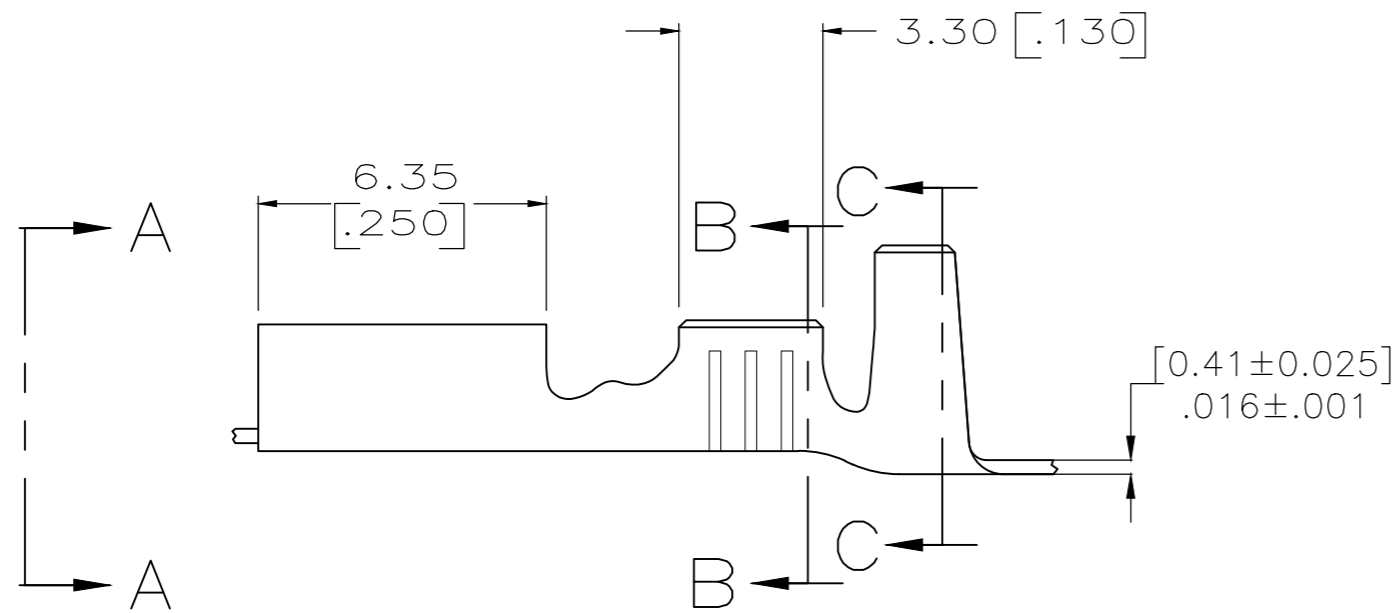


FITS '.205' SERIES FASTON TAB

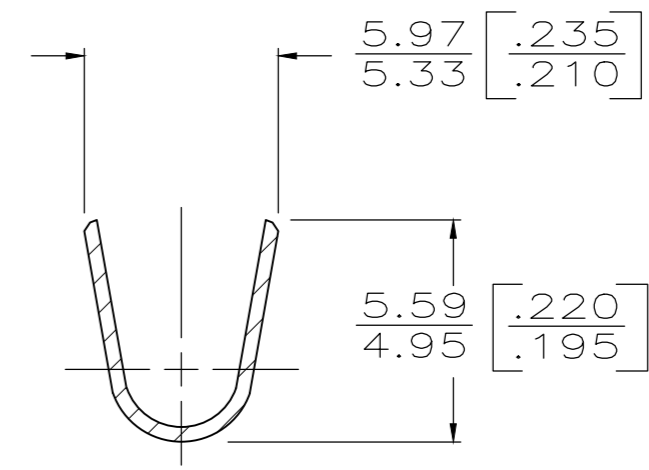


GAP AS REQUIRED TO MEET FORCE SPECIFICATION AND 0.71 [.028] MAX

VIEW A-A
SCALE 8:1



SECTION B-B



SECTION C-C

3.30-4.57 [.130-.180]	0.8-2.0mm ² [18-14]	-	#4 PHOS BRZ	0.84-0.76 [.033-.030]	42233-8 OBS
		TIN	#4 PHOS BRZ		42233-7
		SILVER	#4 PHOS BRZ		42233-6
		GOLD	4M BRASS		42233-5 OBS
		GOLD	4M BRASS		42233-4 OBS
		SILVER	4M BRASS		42233-3 OBS
		TIN	BRASS		42233-2
		-	4M BRASS		42233-1 OBS
INSUL RANGE	WIRE SIZE	FINISH	MATERIAL	MATING TAB THK	PART NO

THIS DRAWING IS A CONTROLLED DOCUMENT.		DWN	JR RUTH	5/15/89	TE TE Connectivity
DIMENSIONS: mm [INCHES]		CHK	MS FEHER	5/15/89	
TOLERANCES UNLESS OTHERWISE SPECIFIED:		APVD	MS FEHER	5/15/89	
0 PLC ± - 1 PLC ± - 2 PLC ± - 3 PLC ± 0.025 .010 4 PLC ± - ANGLES ± -		PRODUCT SPEC	NAME		
MATERIAL	SEE TABLE	FINISH	SEE TABLE	WEIGHT	-
CUSTOMER DRAWING		SCALE	6:1	SHEET	1 OF 1
		REV	W1	RESTRICTED TO	