

THIS DRAWING IS UNPUBLISHED.

RELEASED FOR PUBLICATION

ALL RIGHTS RESERVED.

© COPYRIGHT - By -

LOC J

DIST -

REVISIONS

変更

DESCRIPTION

DATE

DWN

APVD

P

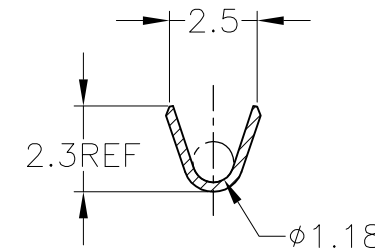
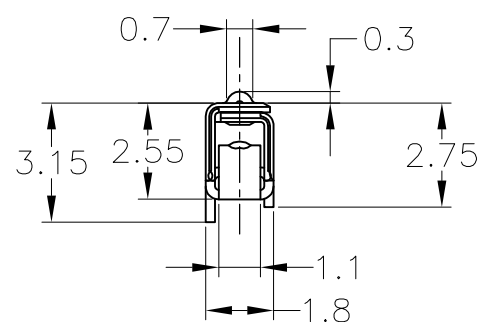
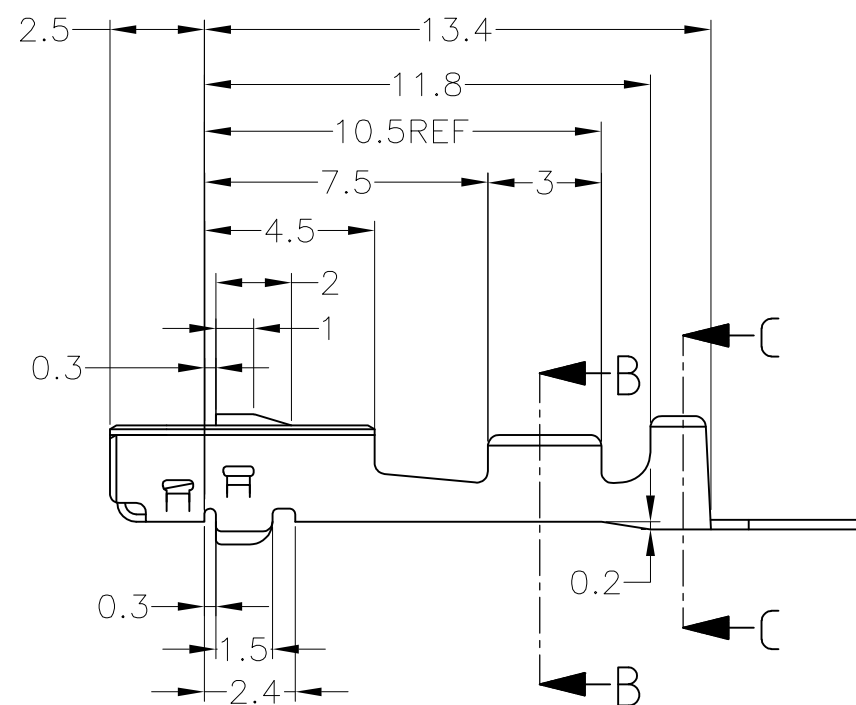
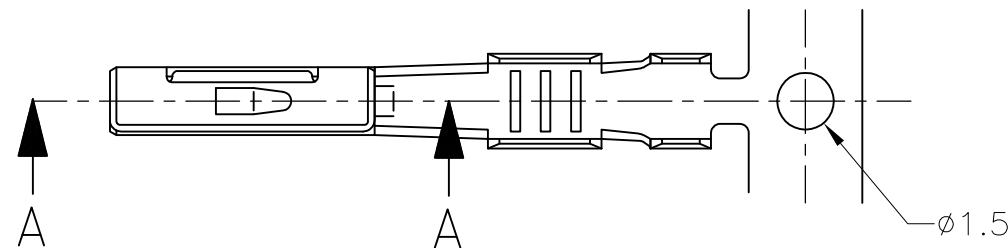
P

REVISED PER ECO-11-005140

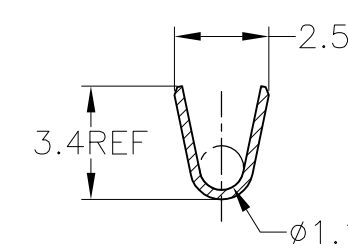
28MAR11

RK

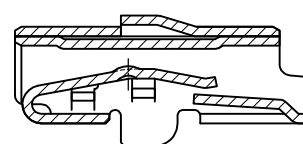
HMR



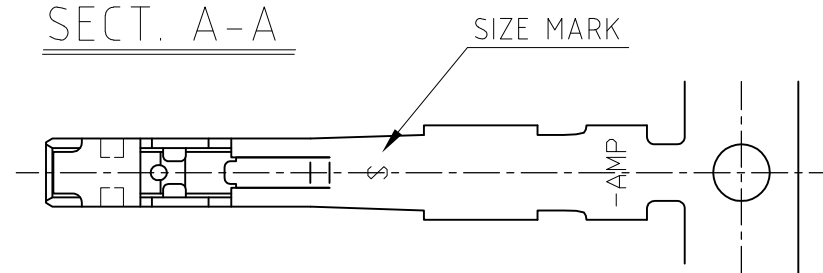
SECT. B-B



SECT. C-C



SECT. A-A



- 1. 適用電線 ; AVSS, CAVS, CAVUS 0.3~0.85mm²
AVS 0.3~0.5mm²
但し、使用するコネクタによって
適用電線が制限される場合がある
- 2. 取付適用規格番号 ; 114-5217

- 1. APPLICABLE WIRE RANGE;
AVSS, CAVS, CAVUS 0.3~0.85mm²
AVS 0.3~0.5mm²
BUT, AN APPLIED CONNECTOR OFTEN MAKE
THE APPLICABLE WIRE RANGE NARROW
- 2. APPLICATION SPEC NO; 114-5217

SEE DRAWING 316836-2	316836-2
PRE-TIN	316836-1
FINISH	PART NUMBER

TOLERANCES UNLESS OTHERWISE SPECIFIED: 一般公差

10 _±	±0.2
30 _± > 10	±0.25
100 _± > 30	±0.3
ANGLE	±3°

THIS DRAWING IS A CONTROLLED DOCUMENT.

DIMENSIONS: 単位: 耗 mm	TOLERANCES UNLESS OTHERWISE SPECIFIED: 一般公差
	0 PLC ±-
	1 PLC ±-
	2 PLC ±-
	3 PLC ±-
	4 PLC ±-
	ANGLES ±-
MATERIAL 材料 Cu ALLOY	FINISH 仕上 SEE TABLE

DWN	M.SUGAWARA	17MAY06
CHK	T.SHINOHARA	17MAY06
APVD	K.BETSUI	17MAY06
PRODUCT SPEC	製品規格	
APPLICATION SPEC	取付適用規格	
WEIGHT	0.27g	

TE Connectivity		NAME 名称	
		040 III UNSEALED CONTACT RECEPTACLE (S) Sn	
SIZE	CAGE CODE	DRAWING NO 番号	RESTRICTED TO
A3	00779	C-316836	-
CUSTOMER DRAWING		SCALE 尺度 5:1	SHEET 1 OF 1
		REV P	

THIS DRAWING IS UNPUBLISHED.

RELEASED FOR PUBLICATION

ALL RIGHTS RESERVED.

© COPYRIGHT - Tyco Electronics Japan G.K.

LOC J

DIST -

REVISIONS

変更

DESCRIPTION

DATE

DWN

APVD

P LTR

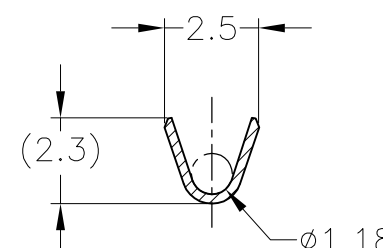
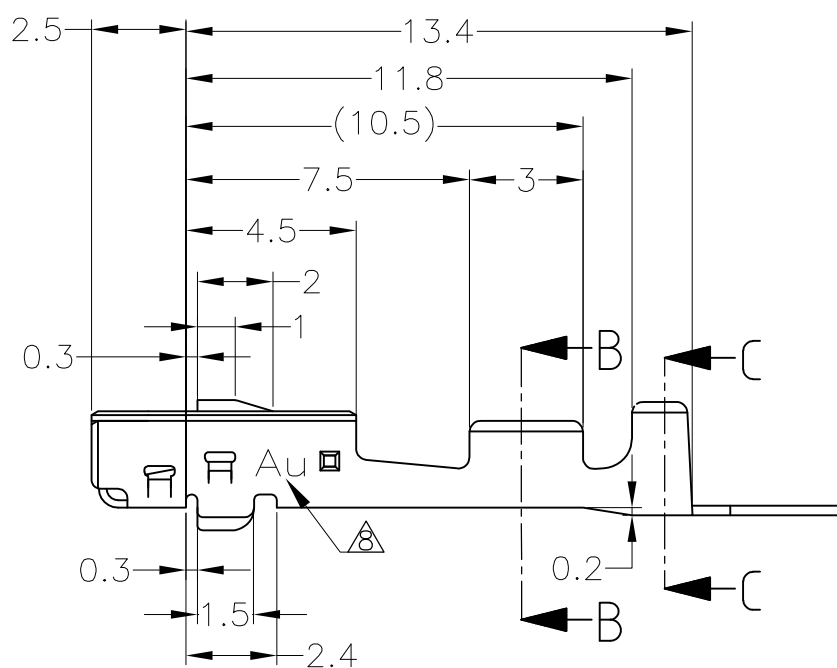
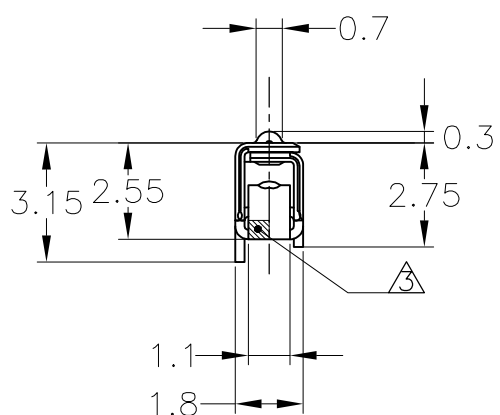
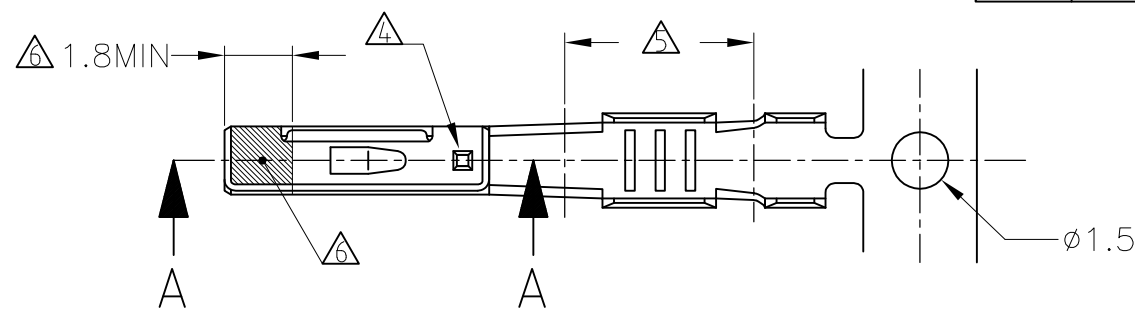
B REVISED

ECR-15-012614

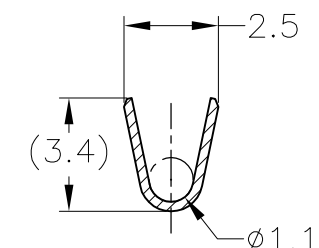
03SEP15

KK

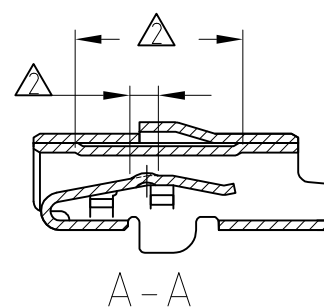
RK



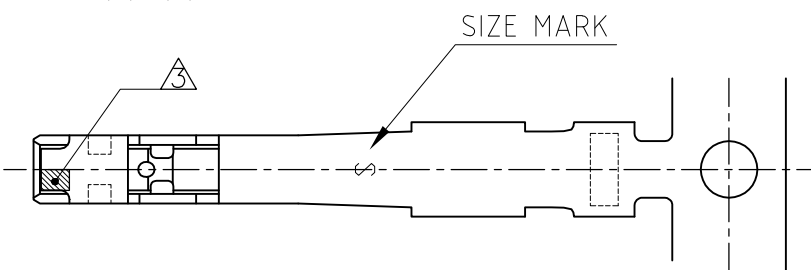
B-B



C-C



A-A



1. 適用電線; AVSS, CAVS, CAVUS 0.3~0.85mm²
 AVS 0.3~0.5mm²

但し、使用するコネクタによって適用電線が制限される場合がある

② 金めっき範囲 (接触面のみ)

③ 識別用金めっき

④ 金めっき識別用マーク (3カ所)

⑤ すずめっき範囲

⑥ 金めっき範囲 (1--2のみ)

7. 取付適用規格番号; 114-5217

⑧ 識別用刻印

1. APPLICABLE WIRE RANGE;
 AVSS, CAVS, CAVUS 0.3~0.85mm²
 AVS 0.3~0.5mm²

BUT, AN APPLIED CONNECTOR OFTEN MAKE
 THE APPLICABLE WIRE RANGE NARROW

② GOLD PLATING AREA (CONTACT SIDE ONLY)

③ GOLD PLATING FOR DISCERNMENT

④ GOLD PLATING DISCERNMENT MARK (3 PLACES)

⑤ TIN PLATING AREA

⑥ GOLD PLATING AREA (1--2 ONLY)

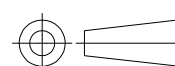
7. APPLICATION SPEC NO; 114-5217

⑧ MARKING FOR IDENTIFICATION

TOLERANCES UNLESS OTHERWISE SPECIFIED: 一般公差	
10 _±	±0.2
30 _± > 10	±0.25
100 _± > 30	±0.3
ANGLE	±3°

THIS DRAWING IS A CONTROLLED DOCUMENT.

DIMENSIONS: 単位: 耗 mm



MATERIAL 材料 Cu ALLOY

TOLERANCES UNLESS OTHERWISE SPECIFIED: 一般公差

0 PLC	±-
1 PLC	±-
2 PLC	±-
3 PLC	±-
4 PLC	±-
ANGLES	±-

FINISH 仕上 SEE TABLE

DWN M.SUGAWARA 18MAY06

CHK T.SHINOHARA 18MAY06

APVD K.BETSUI 18MAY06

PRODUCT SPEC 製品規格

APPLICATION SPEC 取付適用規格

114-5217

WEIGHT 0.27g

CUSTOMER DRAWING

SELECTIVE GOLD/TIN ②③⑤⑥⑧	1-316837-2
SELECTIVE GOLD/TIN ②③⑤⑧	316837-2
SEE DRAWING 316837-1	316837-1
FINISH	PART NUMBER

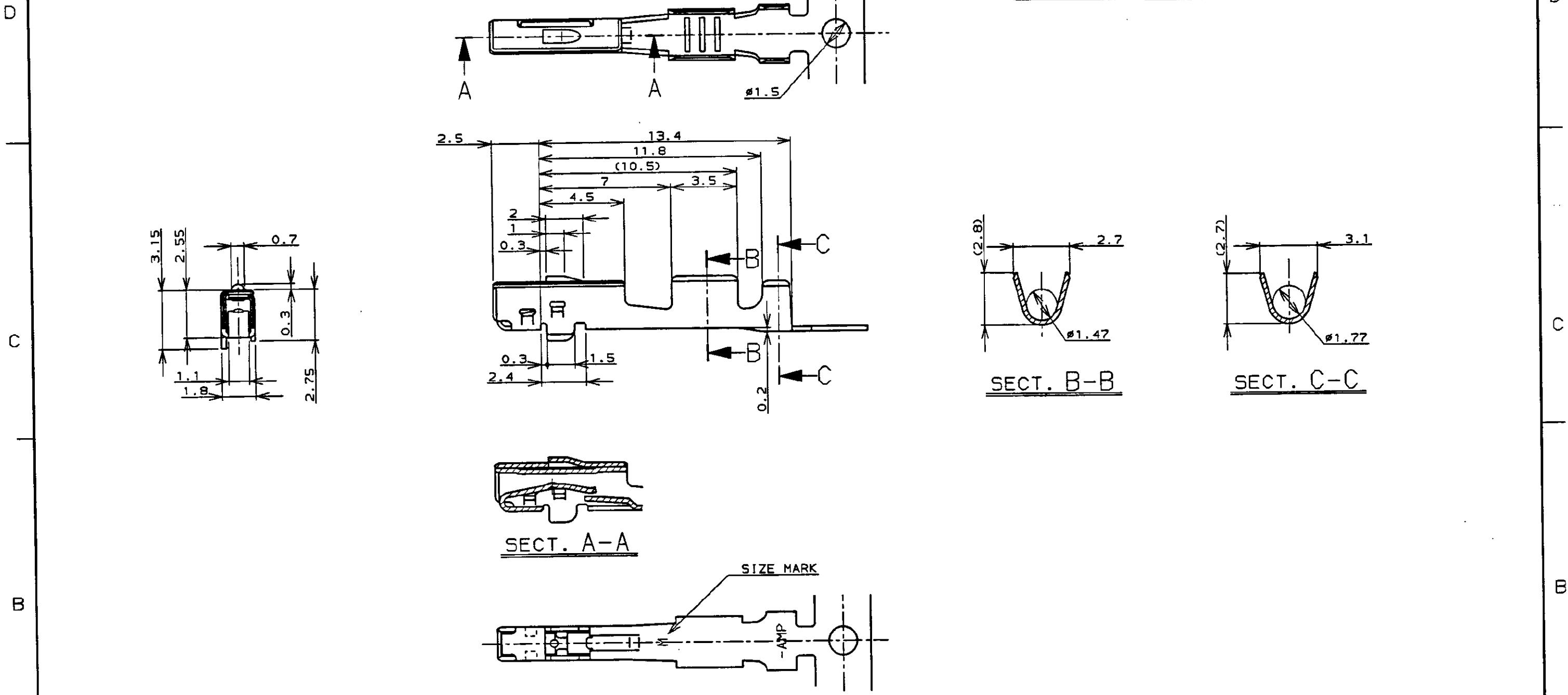
STE TE Connectivity

040 III UNSEALED CONTACT RECEPTACLE (S) Au

NAME 名称	SIZE	CAGE CODE	DRAWING NO 番号	RESTRICTED TO
	A3	00779	C-316837	-

SCALE 尺度 5:1 SHEET 1 OF 1 REV B

LOC		DIST		REVISIONS				
P	LTR	DESCRIPTION	ECN	DATE	DWN	APVD		
	0	DRAWN	FJ00-4529-95	4/24 '96	JY	MS		



注記,
 1. 適用電線 : AVSS,CAVS 0.85-1.25mm²
 AVS 0.5mm², CAVUS 1.25mm²
 2. 取付適用規格番号 ; 114-5217

NOTES;
 1. APPLICABLE WIRE RANGE ;
 AVSS,CAVS 0.85-1.25mm²
 AVS 0.5mm², CAVUS 1.25mm²
 2. APPLICATION SPEC NO ; 114-5217

THIS DRAWING IS A CONTROLLED DOCUMENT FOR AMP INCORPORATED. IT IS SUBJECT TO CHANGE AND THE CONTROLLING ENGINEERING ORGANIZATION SHOULD BE CONTACTED FOR THE LATEST REVISION.	
DIMENSIONS: 単位: 毫 mm	TOLERANCES UNLESS OTHERWISE SPECIFIED 一般公差 10% : ±0.2 30% : ±0.25 100% : ±0.3 ANGLE : ±3°
MATERIAL 材料 Cu ALLOY 銅合金	FINISH 仕上 SEE TABLE 表参照

DWN 7/1 Yamaguchi 4/24 '96
CHK J. Kobayashi 4/25 '96
APVD N. Sai 4/25 '96
PRODUCT SPEC 製品規格 - H -
APPLICATION SPEC 取付適用規格 114-5217
WEIGHT 0.3g
CUSTOMER DRAWING

PRE-TIN (すずめっき済)	316838-1
FINISH (仕上)	PART NUMBER (型番)
AMP 日本エー・エム・ピー株式会社 Kawasaki, Japan	
.040 III UNSEALED CONTACT, RECEPTACLE (M) Sn	
SIZE A3	CAGE CODE 00779
DRAWING NO 番号 C-316838	
SCALE 尺度 5-1	SHEET 1 OF 1 REV 0