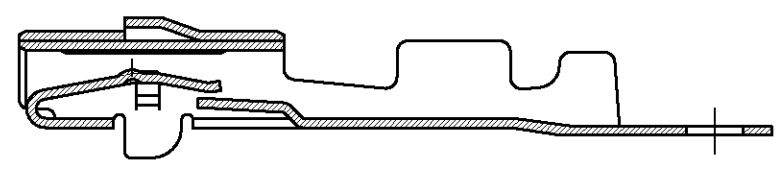
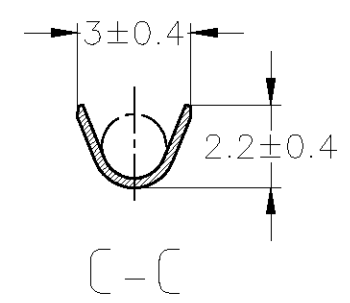
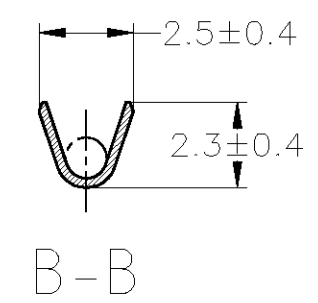
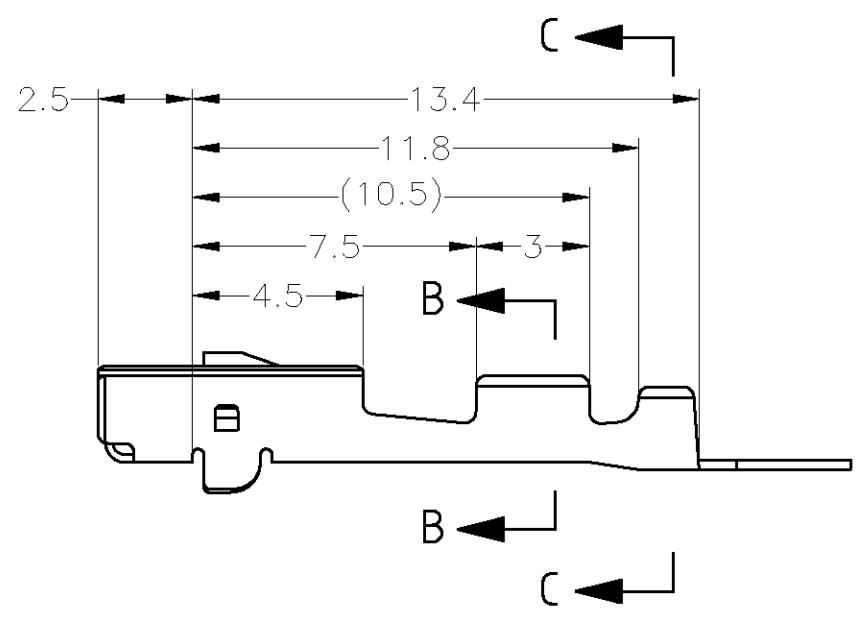
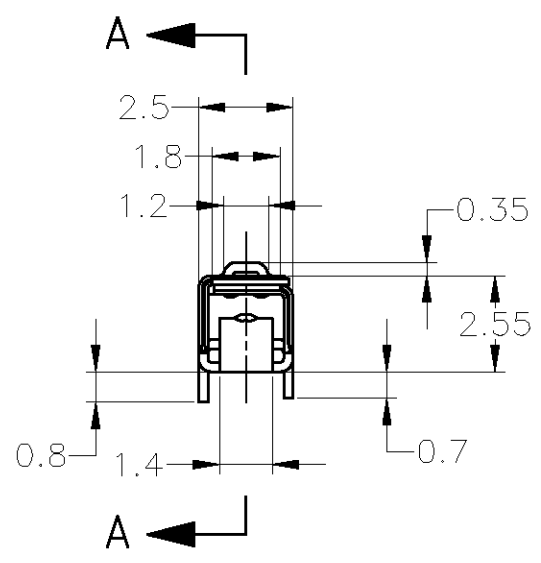
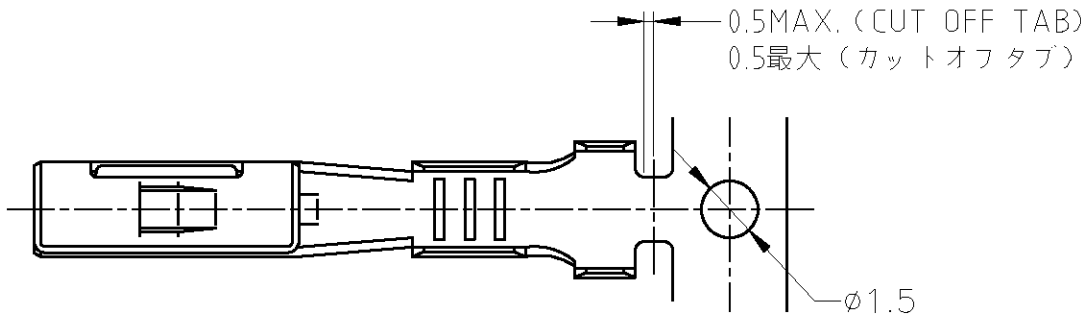


THIS DRAWING IS UNPUBLISHED. RELEASED FOR PUBLICATION
 © COPYRIGHT - By Tyco Electronics JAPAN G.K. ALL RIGHTS RESERVED.

LOC	DIST	REVISIONS			
P	LTR	DESCRIPTION	DATE	DWN	APVD
J	-	G	REVISED	ECR-13-011414	05JUL2012 TS KB



A-A

OBSOLETE	ZKLF-5	-	PRE-TIN	175268-5
	BRASS	179423-1	PRE-TIN	175268-1
	MATERIAL	LOOSE PIECE CONTACT PN	FINISH	PART NUMBER

1. APPLICATION SPEC NO. 114-5160

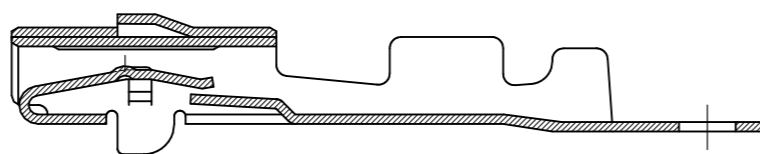
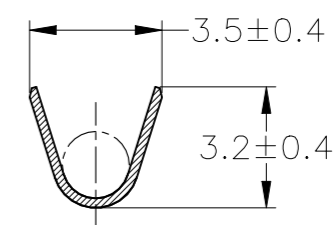
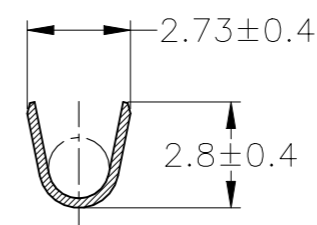
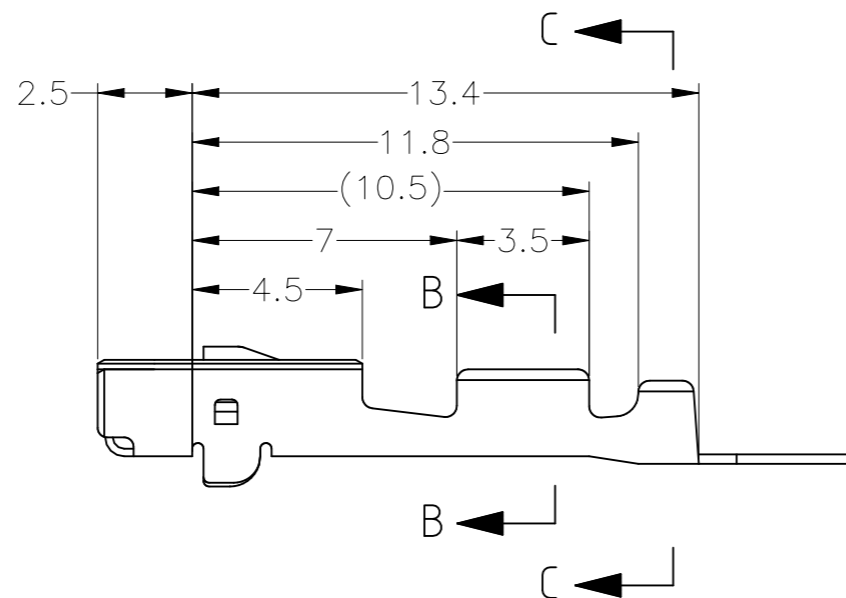
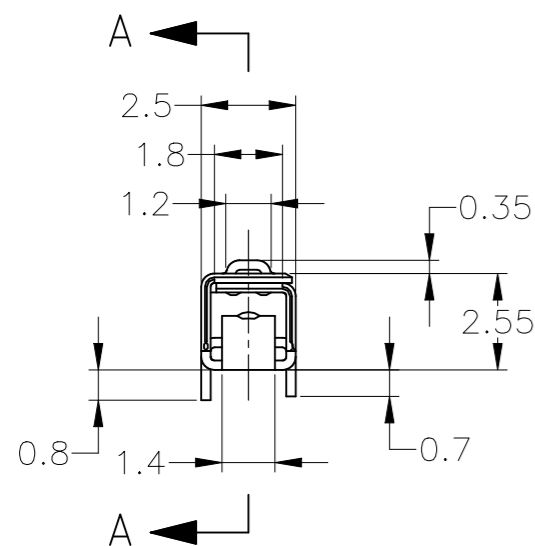
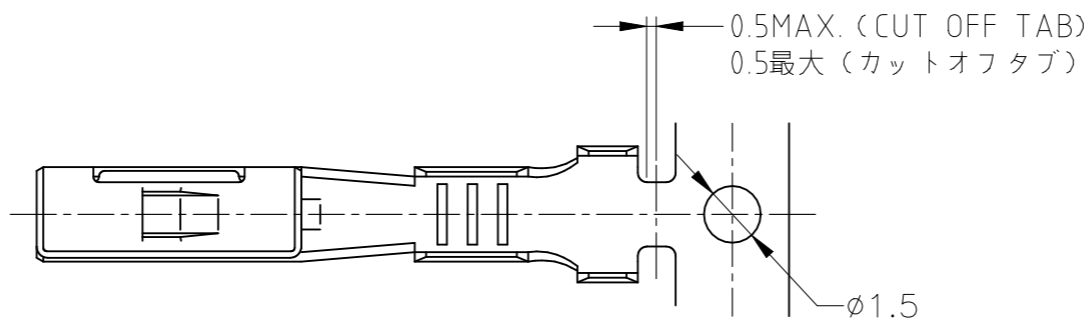
1. 取付適用規格番号 114-5160

THIS DRAWING IS A CONTROLLED DOCUMENT.		DWN T.SHINOHARA 05JUL2012	STE TE Connectivity	
DIMENSIONS: mm		CHK K.BETSUI 05JUL2012		
TOLERANCES UNLESS OTHERWISE SPECIFIED:		APVD K.BETSUI 05JUL2012	NAME	
0 PLC ± - 1 PLC ± - 2 PLC ± - 3 PLC ± - 4 PLC ± - ANGLES ± -		PRODUCT SPEC	070II SERIES S RECEPTACLE CONTACT	
MATERIAL SEE TABLE		FINISH SEE TABLE	APPLICATION SPEC SEE NOTE	RESTRICTED TO
TOLERANCES UNLESS OTHERWISE SPECIFIED: 一般公差		WEIGHT 0.32 g	SIZE A3	CAGE CODE 00779
10 ≥ : ±0.2 30 ≥ > 10 : ±0.25 100 ≥ > 30 : ±0.3 ANGLE : ±3°		DRAWING NO C-175268		SCALE 5:1
		CUSTOMER DRAWING		SHEET 1 OF 1
				REV G

包含電線断面積 (WIRE RANGE) 0.37~0.88 mm ² (AWG#22-#18)	被覆外径 (INSULATION DIA.) 1.1~2.1 mmφ
---	---------------------------------------

REVISIONS

P	LTR	DESCRIPTION	DATE	DWN	APVD
	F4	REVISED	ECR-23-185274	15SEP2023	AG RK




A-A

1. APPLICATION SPEC NO. 114-5160

1. 取付適用規格番号 114-5160

OBSOLETE	FJPI-175269-2	BRASS	-	PRE-TIN	175269-2
	FJPI-175269-1	BRASS	179425-1	PRE-TIN	175269-1
	PACKING INSTRUCTION NUMBER	MATERIAL	LOOSE PIECE CONTACT PN	FINISH	PART NUMBER

THIS DRAWING IS A CONTROLLED DOCUMENT.		DWN T.SHINOHARA 05JUL2012	 TE Connectivity 070II SERIES M RECEPTACLE CONTACT					
DIMENSIONS: mm		CHK K.BETSUI 05JUL2012				NAME		
TOLERANCES UNLESS OTHERWISE SPECIFIED:		APVD K.BETSUI 05JUL2012				PRODUCT SPEC		
0 PLC ± - 1 PLC ± - 2 PLC ± - 3 PLC ± - 4 PLC ± - ANGLES ± -		APPLICATION SPEC						
TOLERANCES UNLESS OTHERWISE SPECIFIED: 一般公差		MATERIAL SEE TABLE		FINISH SEE TABLE				
10 ≥ : ±0.2 30 ≥ > 10 : ±0.25 100 ≥ > 30 : ±0.3 ANGLE : ±3°		WEIGHT 0.000000		RESTRICTED TO -				
SEE TABLE		CUSTOMER DRAWING		SCALE 5:1 SHEET 1 OF 1 REV F4				

抱合電線断面積 (WIRE RANGE) 0.56~1.29 mm ² (AWG#20-#16)	被覆外径 (INSULATION DIA.) 1.8~2.6 mmφ
---	---------------------------------------

NUMBER
C-175270

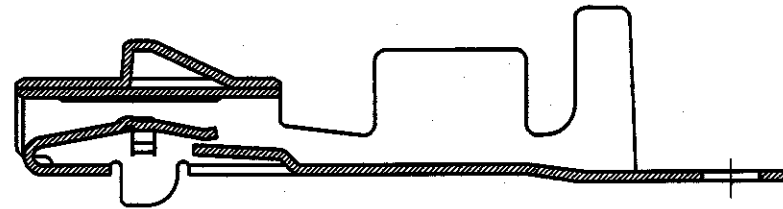
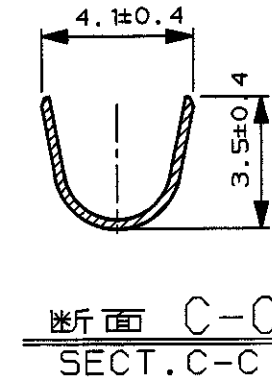
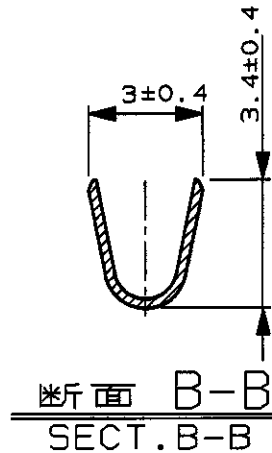
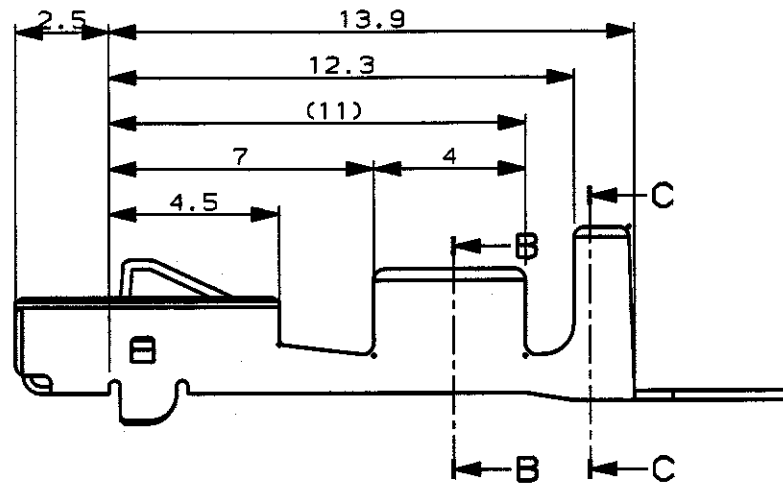
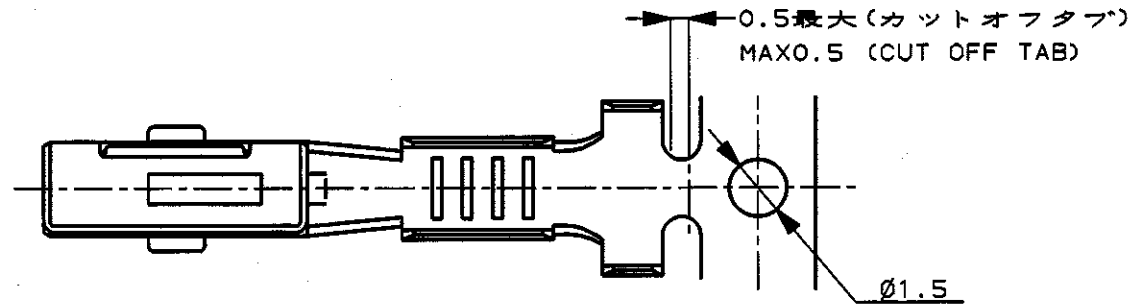
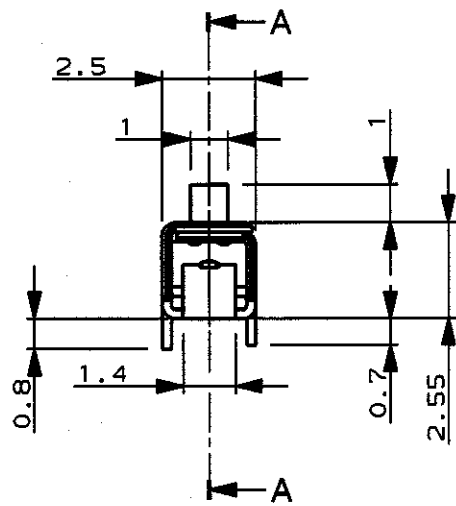


METRIC

単位: mm DIMENSIONS IN MM. DO NOT SCALE PRINT

PRINT DIST

AMP-J
REV 19/88
FJ029188



断面 A-A
SECT. A-A

NOTE ;

1. APPLICATION SPEC NO. 114-5160
2. APPLICABLE PRODUCT SPEC NO.108-5374

注 ;

1. 取付適用規格番号 114-5160
2. 適用製品規格番号 108-5374

179427-1		錫めつき済 (PRE-TINNIED)		175270-1	
バラ端子型番 (LOOSE PIECE CONTACT P/N)		仕上げ (FINISH)		AMP型番 (PART NUMBER)	
Copyright ©1990年 AMP (Japan), LTD. ALL RIGHTS RESERVED.		Copyright ©1990 AMP (Japan), LTD. ALL RIGHTS RESERVED.		AMP 日本エー・エム・ピー株式会社 Tokyo, Japan	
D1 ADD NOTE 2 FJ00-0937-99 TS KB 28MAY 99		名称 (NAME) .070 II SERIES L RECEPTACLE CONTACT .070 IIシリーズ L リセプタクル コンタクト		一般公差 (GENERAL TOLERANCE) 10mm以下: ±0.2 10mm以上 30mm以下: ±0.25 30mm以上 100mm以下: ±0.3 角度: ±3°	
D 改訂 (FJ00-0577-98) TK NS 25MAR 98		材料 (MATERIAL) 仕上げ (FINISH) すずめつき済 KLF-5		SIZE LOC 番号 (No.) A3 J C-175270	
C 改訂 (FJ00-0153-94) TK MT 4/3 '94		DR. Y. Fujimori 4/19'91 DE. K. Oda 4/19'91		尺度 (SCALE) REV. SHEET 5-1 D1 1 OF 1	
B 改訂 J-0212 KO SI 7/8 '91		APP. 4/25'91			
A 再作成 KO SI 4/25 '91		CHK.			
LTR 変更 (REVISION RECORD) DR CHK DATE					

(CUSTOMER DRAWING) 参考 ☑ 面