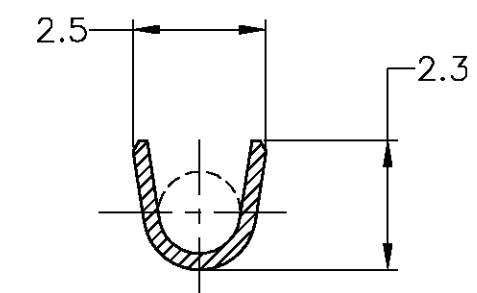
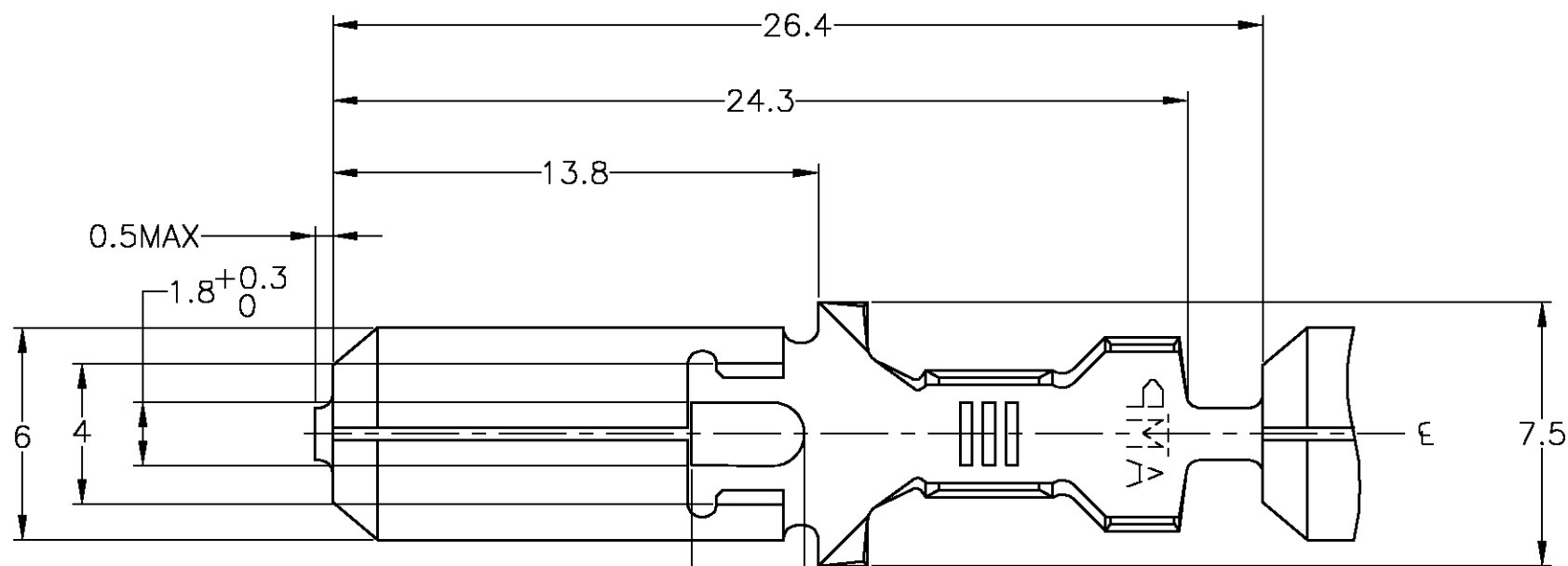
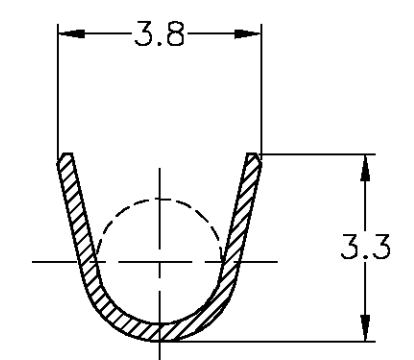


THIS DRAWING IS UNPUBLISHED. RELEASED FOR PUBLICATION  
 © COPYRIGHT BY TYCO ELECTRONICS CORPORATION. ALL RIGHTS RESERVED.

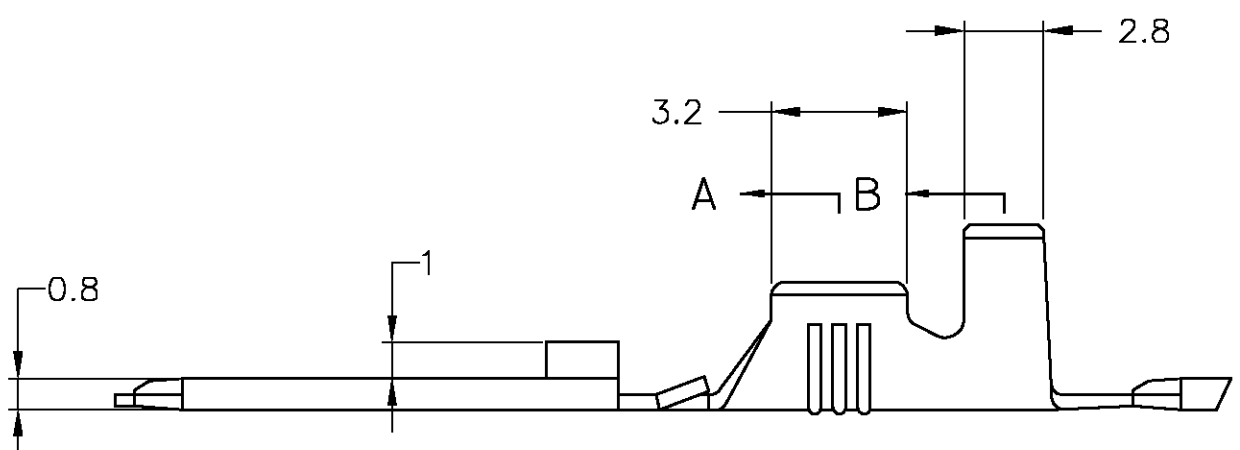
LOC	DIST	REVISIONS					
J	-	P	LTR	DESCRIPTION	DATE	DWN	APVD
		A1		REDRAWN W/CHANGE FJA0-0527-03	09SEP03	AY	KB



A - A



B - B



A ← B ←

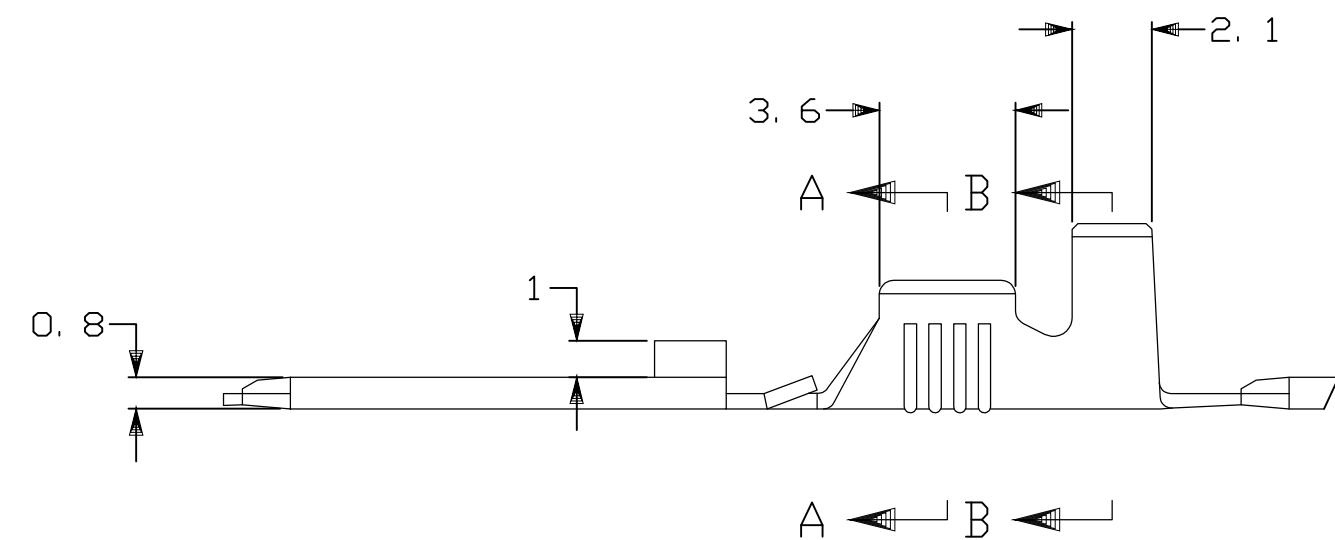
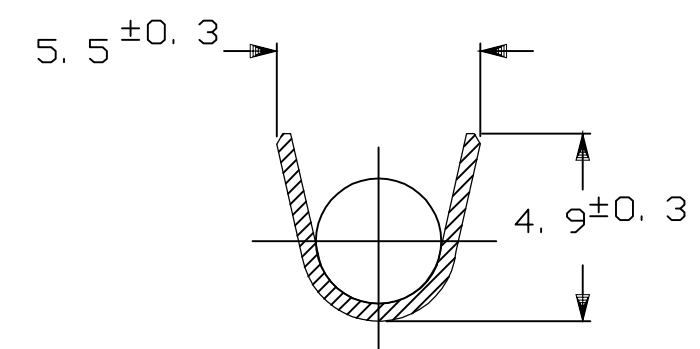
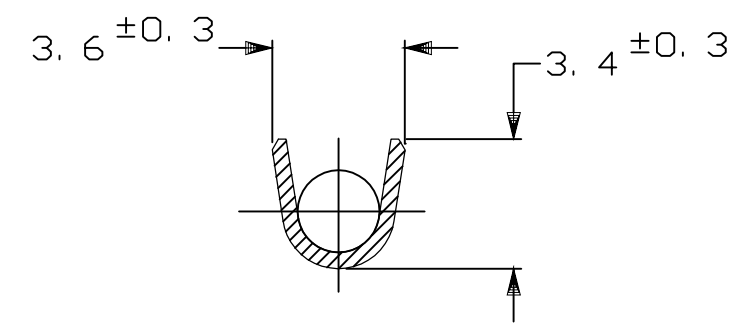
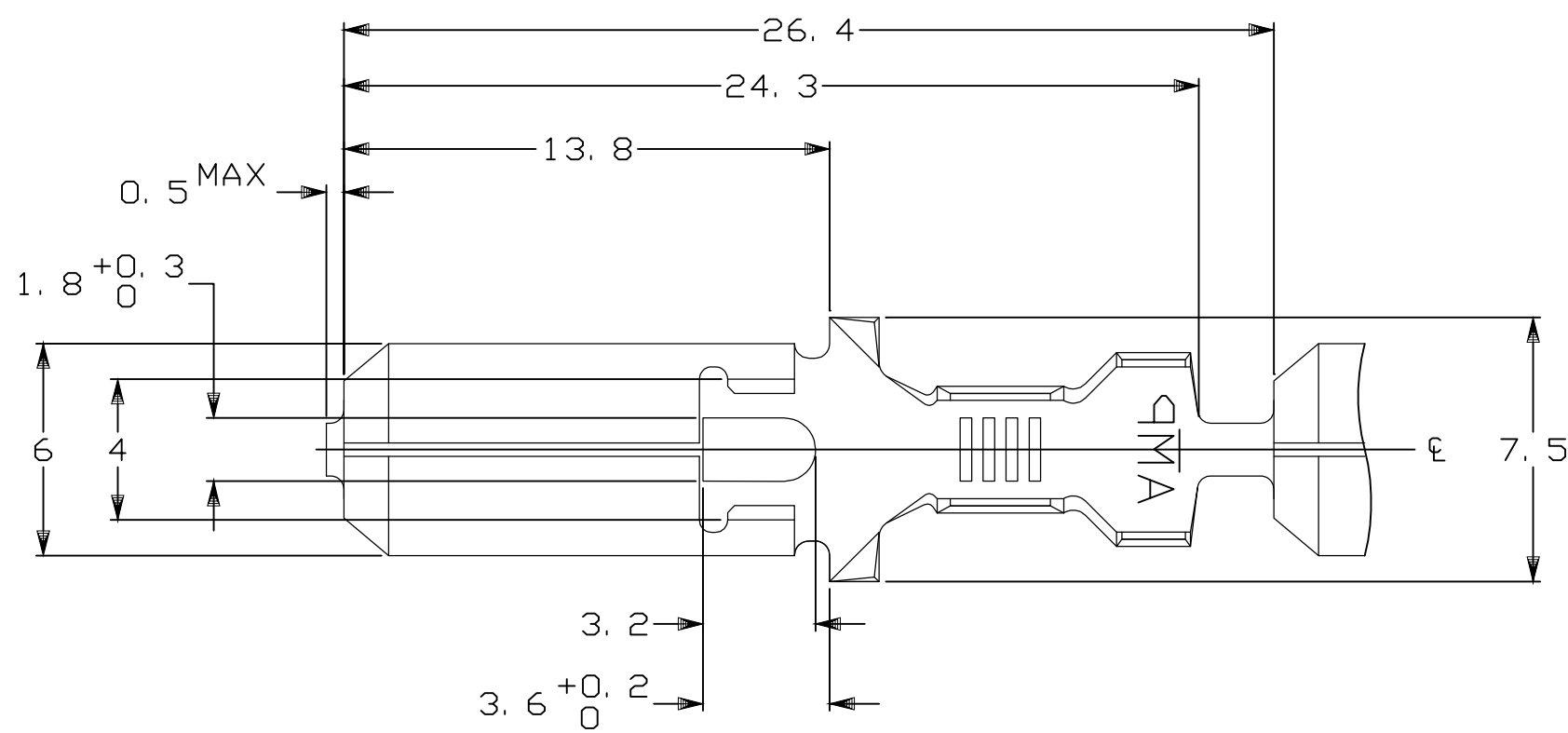
PRE-TIN	BRASS TEMP#2 ±0.4	170349-2
#	BRASS TEMP#2 ±0.4	170349-1
FINISH	MATERIAL	AMP PART NUMBER

WIRE RANGE AWG No. #22~#20 {0.3~0.5mm²sq}	THIS DRAWING IS A CONTROLLED DOCUMENT.	
INSULATION DIA 1.5~2.2 DIA	DIMENSIONS: 単位: 耗 MM	TOLERANCES UNLESS OTHERWISE SPECIFIED: 一般公差
TOLERANCE UNLESS OTHERWISE SPECIFIED: 一般公差		0 PLC ±- 1 PLC ±- 2 PLC ±- 3 PLC ±- 4 PLC ±- ANGLES ±-
0 < x ≤ 10 : ±0.2 10 < x ≤ 30 : ±0.25	MATERIAL 材料 SEE TABLE	FINISH 仕上 SEE TABLE
ANGLE ; 角度 : ±3°		

DWN A.YAMAGUCHI 09SEP03	Tyco Electronics AMP K.K. Kawasaki, Japan	
CHK K.BETSUI 09SEP03	NAME 名称	
APVD K.BETSUI 09SEP03	250 SERIES TAB WITHOUT LATCH	
PRODUCT SPEC 製品規格 108-5147	SIZE A3	CAGE CODE 00779
APPLICATION SPEC 取付適用規格 114-5052	DRAWING NO 番号 C-170349	RESTRICTED TO -
WEIGHT 0.65 g	SCALE 尺度 5:1	SHEET 1 OF 1
CUSTOMER DRAWING		REV A1

THIS DRAWING IS UNPUBLISHED. RELEASED FOR PUBLICATION  
 © COPYRIGHT - By - ALL RIGHTS RESERVED.

LOC	DIST	REVISIONS					
		P	LTR	DESCRIPTION	DATE	DWN	APVD
J	-		C4	REVISED	02DEC2013	K.S	D.Z
			C5	REVISED PER ECR-15-013317	21SEP2015	L.P	T.D



△ REVERSE REEL OF 170340-3  
 △ 170340-3、逆巻リール  
 △ SEPARATE PAPER TYPE

△	—	PRE-TIN BRASS t0.41	179462-3	2-170340-3
△	—	PRE-TIN BRASS t0.41	—	1-170340-3
	—	PRE-TIN BRASS t0.41	179462-3	170340-3
	—	BRASS t0.41	—	170340-1
	FINISH	MATERIAL	LOOSE PIECE NUMBER	PART NUMBER

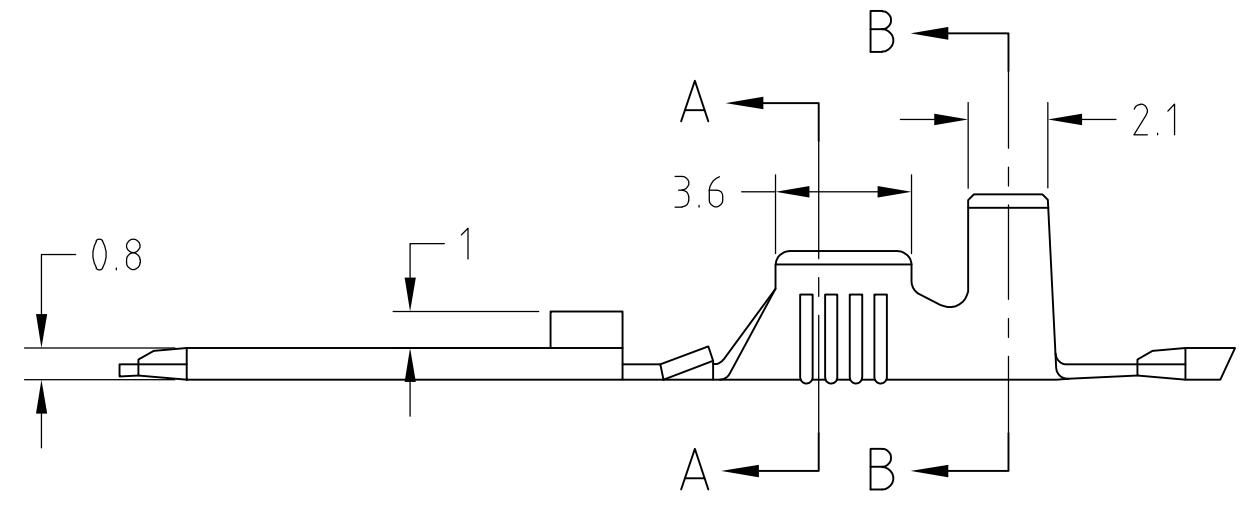
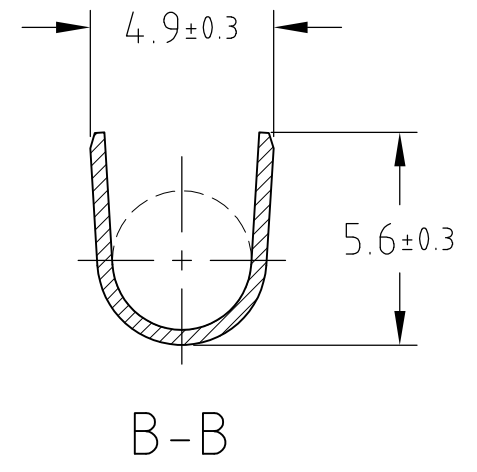
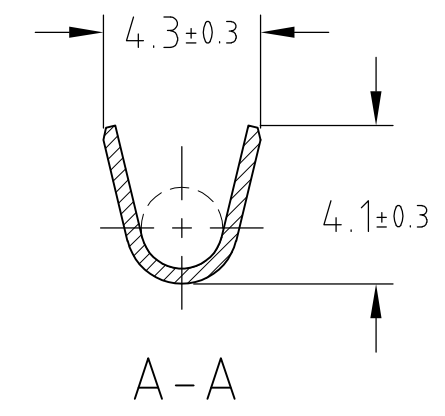
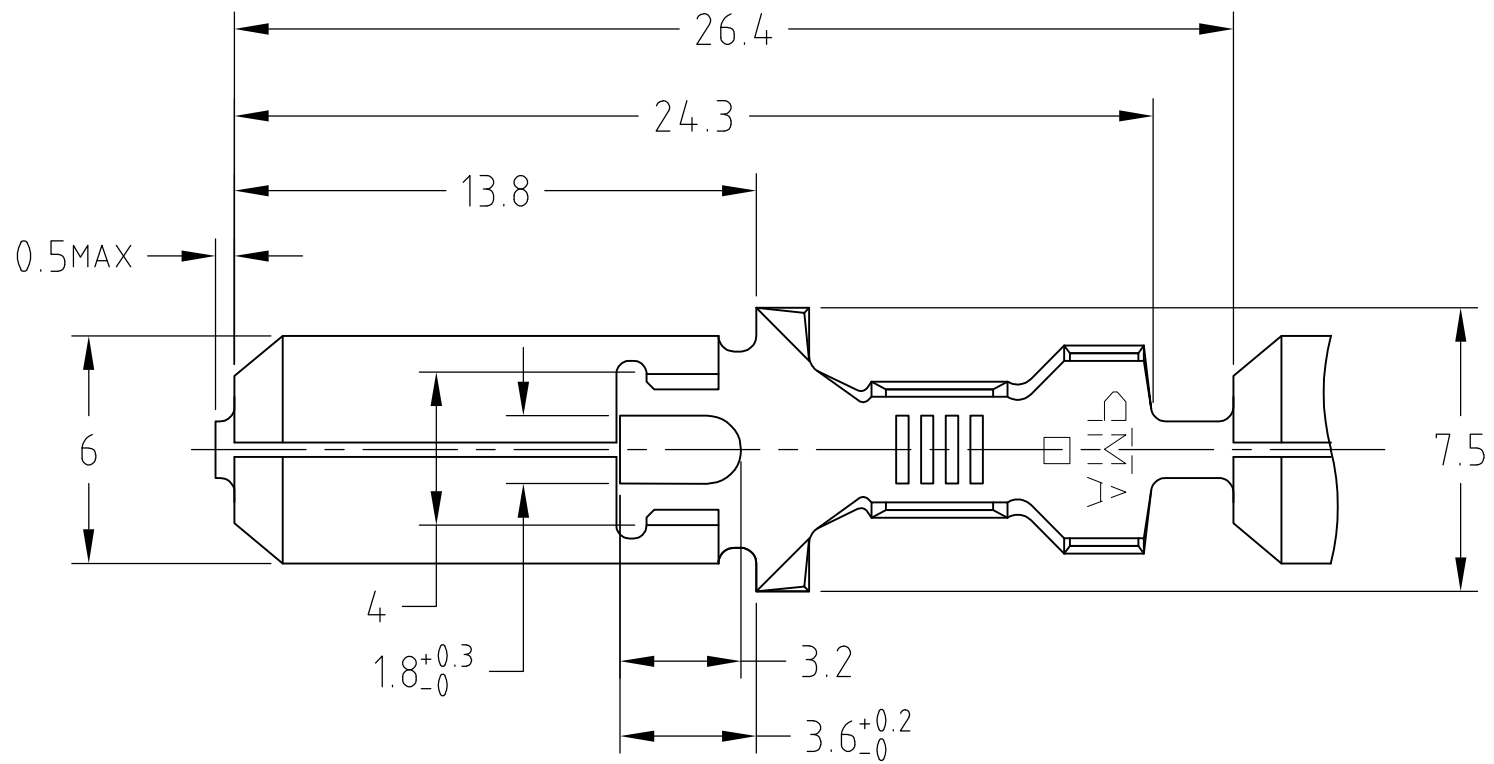
THIS DRAWING IS A CONTROLLED DOCUMENT.

DIMENSIONS: 単位: 耗 mm	TOLERANCES UNLESS OTHERWISE SPECIFIED: 一般公差
	0 PLC ± -
	1 PLC 10 ± - ±0.2
	2 PLC 30 ± - ±0.25
	3 PLC ANGLE: ±3°
	4 PLC ± -
	ANGLES ± -
MATERIAL 材料	FINISH 仕上
SEE TABLE	SEE TABLE

DWN	A.YAMAGUCHI	19AUG98	WIRE RANGE 総合電線断面積	<0.5~2.27mm SQ> #20~#14	INSULATION DIA 被覆外径	2.1~3.4 DIA		
CHK	K.BETSUI	26AUG98	TE Connectivity 250 SERIES TAB WITHOUT LATCH 250シリーズ ラッチ無しタブ					
APVD	K.BETSUI	26AUG98						
PRODUCT SPEC	108-5147		NAME	250 SERIES TAB WITHOUT LATCH				
APPLICATION SPEC	取付適用規格	114-5052	SIZE	A3	CAGE CODE	00779		
WEIGHT	0.76g		DRAWING NO	C=170340		RESTRICTED TO	—	
CUSTOMER DRAWING			SCALE	5:1	SHEET	1 OF 1	REV	C5

THIS DRAWING IS UNPUBLISHED. RELEASED FOR PUBLICATION  
 © COPYRIGHT BY TYCO ELECTRONICS CORPORATION. ALL RIGHTS RESERVED.

LOC	DIST	REVISIONS					
J	—	P	LTR	DESCRIPTION	DATE	DWN	APVD
			C2	REDRAWN WITH CHANGE ECR-16-015552	8NOV2016	DL	TD



— // —	黄銅 BRASS t=0.41	170341-5	⚠
— // —	錫めっき済 黄銅 PRE-TIN BRASS t=0.41	170341-4	⚠
— // —	錫めっき済 黄銅 PRE-TIN BRASS t=0.41	170341-3	
— // —	黄銅 BRASS t=0.41	170341-1	
仕上げ FINISH	材料 MATERIAL	型番 PART NUMBER	

注記：  
 ⚠ 中間紙を巻いたタイプ  
 NOTES:  
 ⚠ SEPARATE PAPER TYPE

THIS DRAWING IS A CONTROLLED DOCUMENT.		DWN T.SHINOHARA 16JUN1998	Tyco Electronics AMP K.K. Kawasaki, Japan							
DIMENSIONS: 単位: 耗 mm		CHK K.BETSUI 16JUN1998								
TOLERANCES UNLESS OTHERWISE SPECIFIED: 一般公差		APVD K.BETSUI 16JUN1998	NAME 名称							
<table border="1"> <tr> <td>10 ≥</td> <td>± 0.2</td> </tr> <tr> <td>30 ≥</td> <td>&gt;10 ± 0.25</td> </tr> <tr> <td>100 ≥</td> <td>&gt;30 ± 0.3</td> </tr> </table>		10 ≥	± 0.2	30 ≥	>10 ± 0.25	100 ≥	>30 ± 0.3	PRODUCT SPEC 製品規格 108-5147,5153,5319		250 SERIES TAB WITHOUT LATCH
10 ≥	± 0.2									
30 ≥	>10 ± 0.25									
100 ≥	>30 ± 0.3									
MATERIAL 材料 SEE TABLE		APPLICATION SPEC 取付適用規格 114-5052								
ANGLES FINISH 仕上 SEE TABLE		WIRE RANGE 2-3.37mm <sup>2</sup> (AWG#14-#12)		RESTRICTED TO						
WEIGHT		INSULATION DIA 2.9-3.8DIA		—						
CUSTOMER DRAWING		SCALE 尺度 5:1		SHEET 1 OF 1						
		DRAWING NO 番号 A3 00779 C-170341		REV C2						