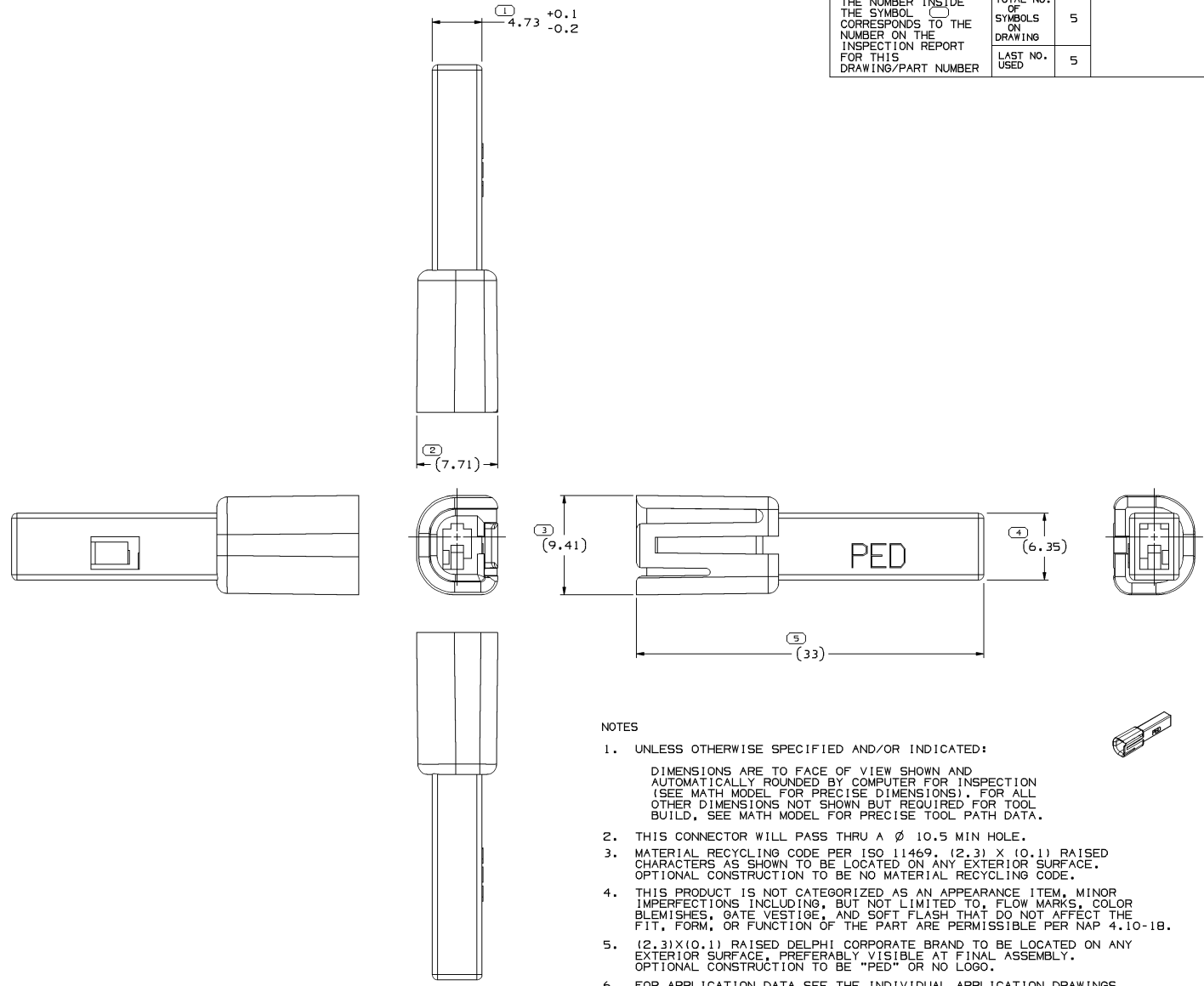


SYMBOL DEFINITION		MISSING NUMBERS	
THE NUMBER INSIDE THE SYMBOL CORRESPONDS TO THE NUMBER ON THE INSPECTION REPORT FOR THIS DRAWING/PART NUMBER	TOTAL NO. OF SYMBOLS ON DRAWING	5	
	LAST NO. USED	5	

DWG STATUS				REVISION HISTORY				AUTH		APV/D			
DATE	STG	REV	N/P	CHG	ZONE								
04AU00	R	01	-	-		ALL PARTS - CLEARED REV COLUMN & REVISED PROCESS SENSITIVE DIMENSION				202544	EOV	BEG	DN
12MR08	R	02	-	-		ALL PARTS - ADDED APPLICATION DATA NOTE & APPEARANCE ITEM NOTE, REMOVED MATING COMPONENTS NOTE & REVISED MAT'L CALLOUT TO GENERIC CALLOUT				403565	EPS	JVM	JOS



NOTES

- UNLESS OTHERWISE SPECIFIED AND/OR INDICATED:
DIMENSIONS ARE TO FACE OF VIEW SHOWN AND AUTOMATICALLY ROUNDED BY COMPUTER FOR INSPECTION (SEE MATH MODEL FOR PRECISE DIMENSIONS). FOR ALL OTHER DIMENSIONS NOT SHOWN BUT REQUIRED FOR TOOL BUILD, SEE MATH MODEL FOR PRECISE TOOL PATH DATA.
- THIS CONNECTOR WILL PASS THRU A ϕ 10.5 MIN HOLE.
- MATERIAL RECYCLING CODE PER ISO 11469. (2.3) X (0.1) RAISED CHARACTERS AS SHOWN TO BE LOCATED ON ANY EXTERIOR SURFACE. OPTIONAL CONSTRUCTION TO BE NO MATERIAL RECYCLING CODE.
- THIS PRODUCT IS NOT CATEGORIZED AS AN APPEARANCE ITEM, MINOR IMPERFECTIONS INCLUDING, BUT NOT LIMITED TO, FLOW MARKS, COLOR BLEMISHES, GATE VESTIGE, AND SOFT FLASH THAT DO NOT AFFECT THE FIT, FORM, OR FUNCTION OF THE PART ARE PERMISSIBLE PER NAP 4.10-1B.
- (2.3)X(0.1) RAISED DELPHI CORPORATE BRAND TO BE LOCATED ON ANY EXTERIOR SURFACE, PREFERABLY VISIBLE AT FINAL ASSEMBLY. OPTIONAL CONSTRUCTION TO BE "PED" OR NO LOGO.
- FOR APPLICATION DATA SEE THE INDIVIDUAL APPLICATION DRAWINGS.



PART NO	REV	N/P	STATUS	MATERIAL SPECIFICATION AND COLOR	VOLUME (CM ³)
15336691	A2	-	-	POLYAMIDE COMPOUND BROWN	0.755
15336689	A2	-	-	POLYAMIDE COMPOUND YELLOW	0.755
15336687	A2	-	-	POLYAMIDE COMPOUND BLUE	0.755
15336685	A2	-	-	POLYAMIDE COMPOUND GREEN	0.755
15336683	A2	-	-	POLYAMIDE COMPOUND NATURAL	0.755
15336681	A2	-	-	POLYAMIDE COMPOUND RED	0.755
15336679	A2	-	-	POLYAMIDE COMPOUND GRAY	0.755
12047683	B4	-	-	POLYAMIDE COMPOUND BLACK	0.755

DIMENSIONAL RANGE (MM)		SURF. FT.	
FROM	TO	>70	>150
>0	>20	>100	>200
>20	>30	>150	>250
>30	>40	>200	>300
>40	>50	>250	>400

TOLERANCE UNLESS OTHERWISE SPECIFIED:
 14.0, 15.1, 10.2, 10.3, 10.4, 10.5, 10.6, 10.8, 11, 11.2
 ANSIA/H TOLERANCE Z39

1 PROCESS SENSITIVE DIMENSION
 DIMENSIONS ENCLOSED IN () INDICATE REFERENCE DIMENSIONS AND NO TOLERANCE LIMITS ARE ESTABLISHED

DWG TYPE: PART DRAWING

STYLE: []

VOLUME (CM³): SEE CHART

DISTR CODE: D

UNLESS OTHERWISE SPECIFIED
 THIS DOCUMENT IS IN ACCORDANCE WITH ASME Y14.5M-1994 AS MODIFIED BY THE DIMENSIONAL DIMENSIONS AND TOLERANCING AGREEMENT - 1987. ALL GEOMETRIC TOLERANCES AND RELATED DATUMS APPLY HERE. FILE # IMPROVE FROM. AT MACT DOES NOT APPLY WHEN RELATIONSHIP BETWEEN FEATURES IS ESTABLISHED BY ORIENTATION OR LOCATION TOLERANCES. SEPARATE POSITION CALLOUTS MAY BE GAGED SEPARATELY, REGARDLESS OF DATUM REFERENCE. ALL DIMENSIONS ARE IN MILLIMETERS

REFERENCE: []

THIRD ANGLE PROJECTION

DO NOT SCALE

USE MATH DATA

NDX

DELPHI
 DELPHI PACKARD ELECTRICAL/ELECTRONIC ARCHITECTURE
 WARREN, OH

DATE: []

DR	
APV/D1	J. IBARRA
APV/D2	R. MOYSEN
APV/D3	B. GEARHEART
APV/D4	
APV/D5	

SUBSTANCES OF CONCERN AND RECYCLED CONTENT PER DELPHI 1094900

MATERIAL: SEE CHART

DRAWING NAME: TAXI CONN M M/P 150

DRAWING NUMBER: 15336693

SIZE: A1

SCALE: 5:1

FRAME NO: 1 OF 1

SHEET NO: 1 OF 1

STG: R

REV: 02

N/P: -