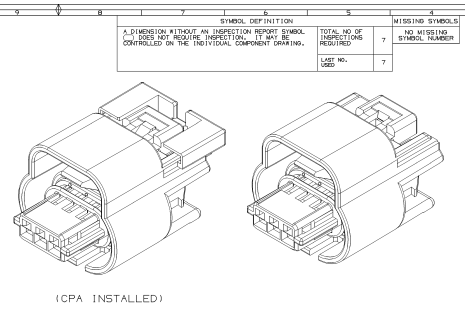


PART NO.	REV	IN/VP	ID	REVISION	TYPE	CONNECTOR	PLR	CONN SEAL	CPA	REPLACED BY
31132063	10	-	-	001	15302554	31132055	15302554	-	-	-
31132062	10	-	-	001	15302554	31132055	15302554	-	-	-
31132060	10	-	-	001	15302554	31132055	15302554	-	-	31132056
15302554	01	RE	-	001	15302554	15302554	15302554	-	-	31132056
15302554	01	AB	-	001	15302554	15302554	15302554	-	-	31132056
15302554	01	RE	RESTRICATED	001	15302554	15302554	15302554	-	-	15302555
15302554	01	AH	-	001	15302554	15302554	15302554	-	-	15302555
15302554	02	-	-	001	15302554	15302554	15302554	-	-	15302555
15302554	01	AH	-	001	15302554	15302554	15302554	-	-	15302555
15302554	01	AH	-	001	15302554	15302554	15302554	-	-	15302555
15302554	02	TX	406416	001	15302554	15302554	15302554	-	-	15302555
15302554	02	TX	406416	001	15302554	15302554	15302554	-	-	15302555
15302554	02	TX	406416	001	15302554	15302554	15302554	-	-	15302555
15302554	02	TX	406416	001	15302554	15302554	15302554	-	-	15302555
15302554	02	TX	406416	001	15302554	15302554	15302554	-	-	15302555
15302554	02	TX	406416	001	15302554	15302554	15302554	-	-	15302555
15302554	02	TX	406416	001	15302554	15302554	15302554	-	-	15302555
15302554	02	TX	406416	001	15302554	15302554	15302554	-	-	15302555
15302554	02	TX	406416	001	15302554	15302554	15302554	-	-	15302555
15302554	02	TX	406416	001	15302554	15302554	15302554	-	-	15302555
15302554	02	TX	406416	001	15302554	15302554	15302554	-	-	15302555



SYMBOL DEFINITION	TOTAL NO. OF INSPECTIONS	NO. MISSING SYMBOL NUMBER
A DIMENSION WITHOUT AN INSPECTION REPORT SYMBOL INDICES THAT INSPECTION OF THIS DIMENSION WAS CONTROLLED ON THE INDIVIDUAL COMPONENT DRAWING.	7	7

REV	DATE	DESCRIPTION	BY	CHKD
31132063	10	-	-	-
31132062	10	-	-	-
31132060	10	-	-	-
15302554	01	RE	-	-
15302554	01	AB	-	-
15302554	01	RE	-	-
15302554	01	AH	-	-
15302554	02	-	-	-
15302554	01	AH	-	-
15302554	01	AH	-	-
15302554	02	TX	406416	-
15302554	02	TX	406416	-
15302554	02	TX	406416	-
15302554	02	TX	406416	-
15302554	02	TX	406416	-
15302554	02	TX	406416	-

NOTES  
 1. UNLESS OTHERWISE SPECIFIED AND/OR INDICATED: DIMENSIONS ARE TO FACE UNLESS SHOWN AND GEOMETRY TO MATCH SPECIFIED OR DIMENSIONAL REPRESENTATION UNLESS OTHERWISE INDICATED. DIMENSIONS FOR ALL OTHER DIMENSIONS NOT SHOWN ARE REQUIRED FOR TOOL BUILD. USE MATCH MODELS FOR PRECISE TOOL PATH DATA.  
 2. THIS PRODUCT IS NOT CATEGORIZED AS AN APPEARANCE ITEM, WHICH IMPROVES FUNCTIONALITY, BUT IS A LIMITED TOOL TO MATCH THE FIT, FORM, OR FUNCTION OF THE PART ARE PERMISSIBLE FOR DRWG 4.7.05-01.  
 3. FOR APPLICATION DATA SEE THE INDIVIDUAL APPLICATION DRAWINGS.

**DELPHI**  
 SYSTEMS GROUP  
 15336120  
 PART DRAWING  
 DATE: 05/20/08  
 TIME: 10:21 AM  
 USER: J. D. COSTELLO  
 CHECKED BY: J. D. COSTELLO  
 DATE: 05/20/08  
 TIME: 10:21 AM  
 USER: J. D. COSTELLO  
 15336120