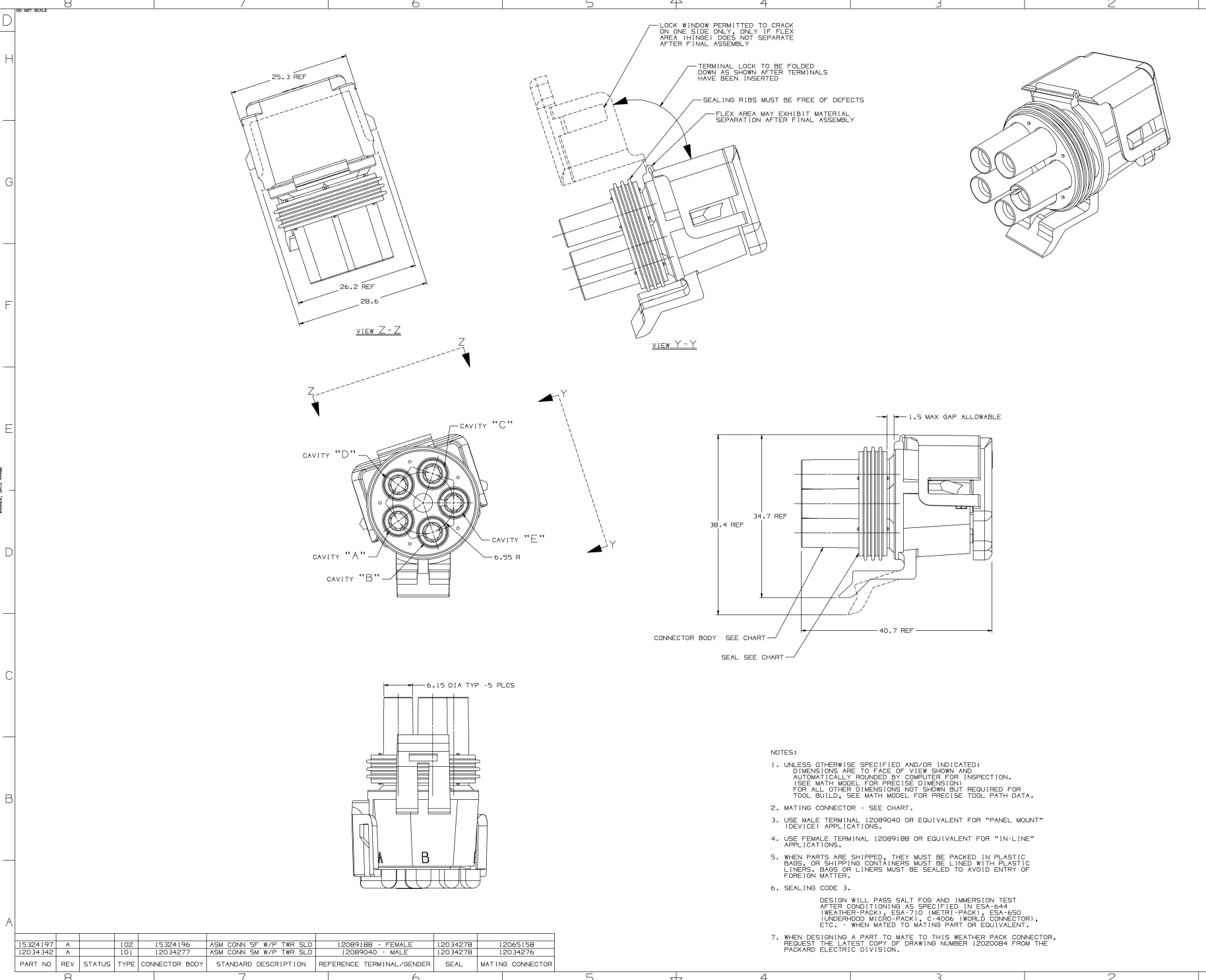


DELPHI PACKARD ELECTRIC SYSTEMS

D H G F E D C B A

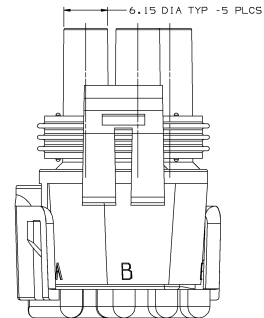
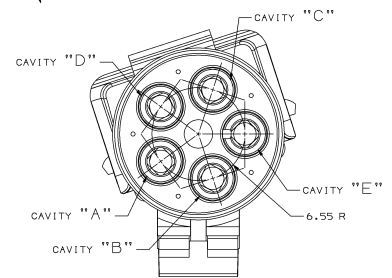
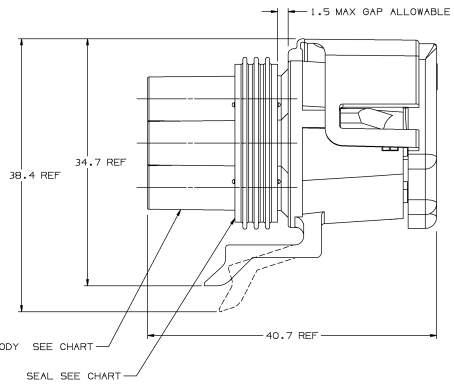
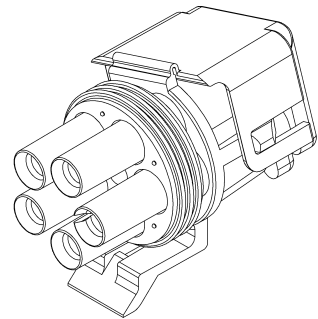


LOCK WINDOW PERMITTED TO CRACK ON ONE SIDE ONLY, ONLY IF FLEX AREA (HINGE) DOES NOT SEPARATE AFTER FINAL ASSEMBLY

TERMINAL LOCK TO BE FOLDED DOWN AS SHOWN AFTER TERMINALS HAVE BEEN INSERTED

SEALING RIBS MUST BE FREE OF DEFECTS

FLEX AREA MAY EXHIBIT MATERIAL SEPARATION AFTER FINAL ASSEMBLY



- NOTES:
- UNLESS OTHERWISE SPECIFIED AND/OR INDICATED: DIMENSIONS ARE TO FACE OF VIEW SHOWN AND AUTOMATICALLY ROUNDED BY COMPUTER FOR INSPECTION. (SEE MATH MODEL FOR PRECISE DIMENSION) FOR ALL OTHER DIMENSIONS NOT SHOWN BUT REQUIRED FOR TOOL BUILD, SEE MATH MODEL FOR PRECISE TOOL PATH DATA.
  - MATING CONNECTOR - SEE CHART.
  - USE MALE TERMINAL 120B9040 OR EQUIVALENT FOR "PANEL MOUNT" (DEVICE) APPLICATIONS.
  - USE FEMALE TERMINAL 120B9188 OR EQUIVALENT FOR "IN-LINE" APPLICATIONS.
  - WHEN PARTS ARE SHIPPED, THEY MUST BE PACKED IN PLASTIC BAGS, OR SHIPPING CONTAINERS MUST BE LINED WITH PLASTIC LINERS. BAGS OR LINERS MUST BE SEALED TO AVOID ENTRY OF FOREIGN MATTER.
  - SEALING CODE 3.  
DESIGN WILL PASS SALT FOG AND IMMERSION TEST AFTER CONDITIONING AS SPECIFIED IN ESA-644 (WEATHER-PACK), ESA-710 (METRI-PACK), ESA-650 (UNDERHOOD MICRO-PACK), C-4006 (WORLD CONNECTOR), ETC. - WHEN MATED TO MATING PART OR EQUIVALENT.
  - WHEN DESIGNING A PART TO MATE TO THIS WEATHER PACK CONNECTOR, REQUEST THE LATEST COPY OF DRAWING NUMBER 12020034 FROM THE PACKARD ELECTRIC DIVISION.

DATE	BY	REVISION RECORD	AUTH	DR	OK
240C97		15324197 - RELEASED TO			
		REV "A"	970005	JES	JM
240C97		120 M 342 - HAS SEPARATE			
		"M" SIZE - REV LEVEL			
		REMAINS AT "A"	182643	JES	JM

PART NO 1532 4199

PART NO 1532 4199

PART NO	REV	STATUS	TYPE	CONNECTOR BODY	STANDARD DESCRIPTION	REFERENCE TERMINAL/GENDER	SEAL	MATING CONNECTOR
15324197	A		102	15324196	ASM CONN 5F W/P TWR SLD	120B9188 - FEMALE	1203427B	1206515B
12034342	A		101	12034277	ASM CONN 5M W/P TWR SLD	120B9040 - MALE	1203427B	12034276

DRAWING TYPE PID	OTHER DRAWINGS AVAILABLE
THIRD ANGLE PROJECTION	ULTRACON II METRIC
6900	ONE PLACE ±0.3 TWO PLACE ±0.15
DATE 240C97	DR J. BARQUIN 240C97
SCALE 4:1	DR JOSE HUERTA 189097
MATERIAL SPEC	SEE CHART
NAME	TAXI ASM CONN 5 W/P TWR SLD
PART NUMBER	1532 4199
	3 DR A0