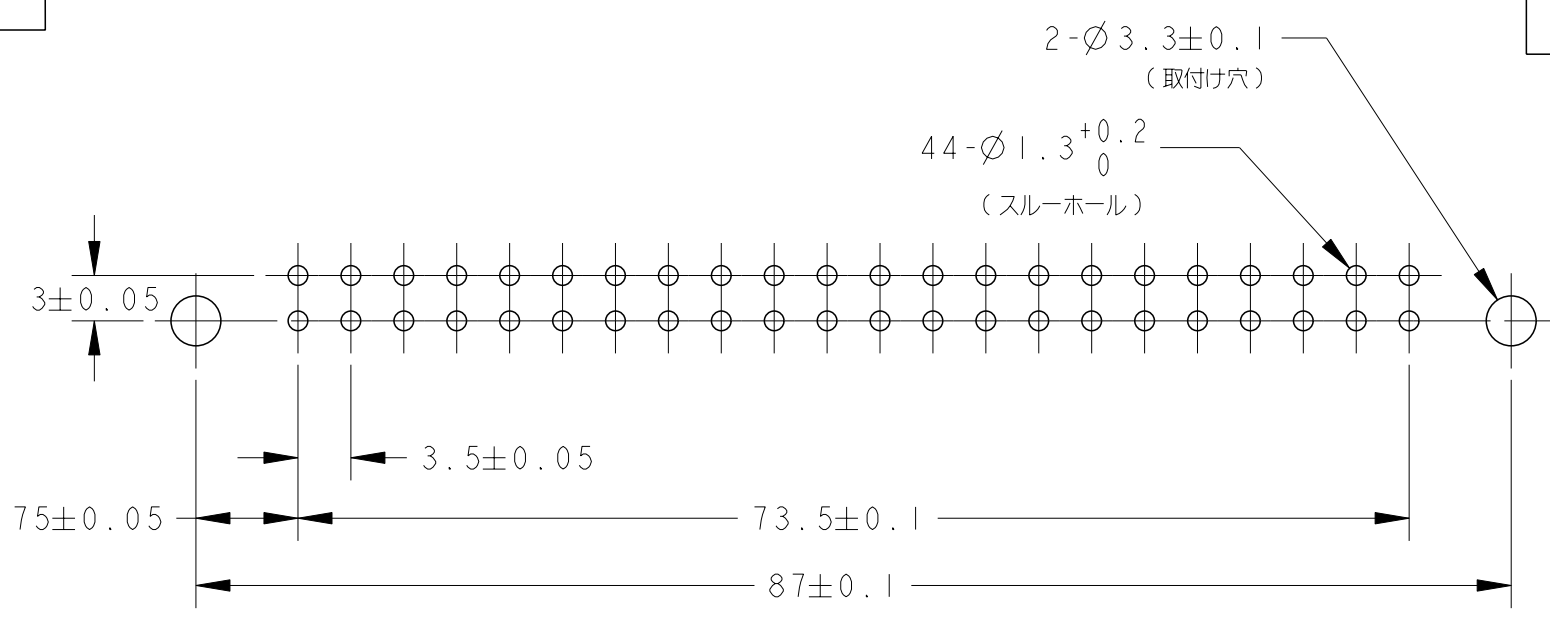
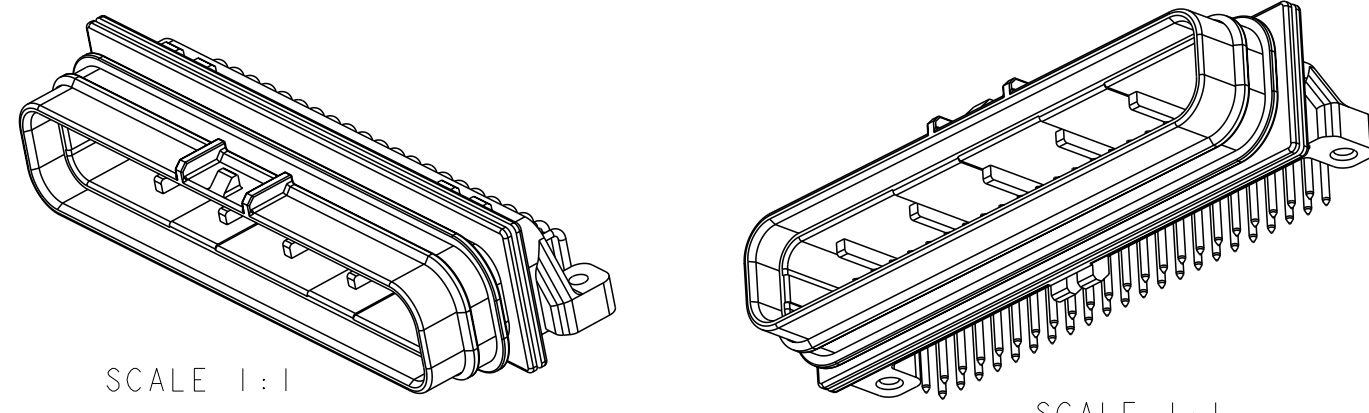


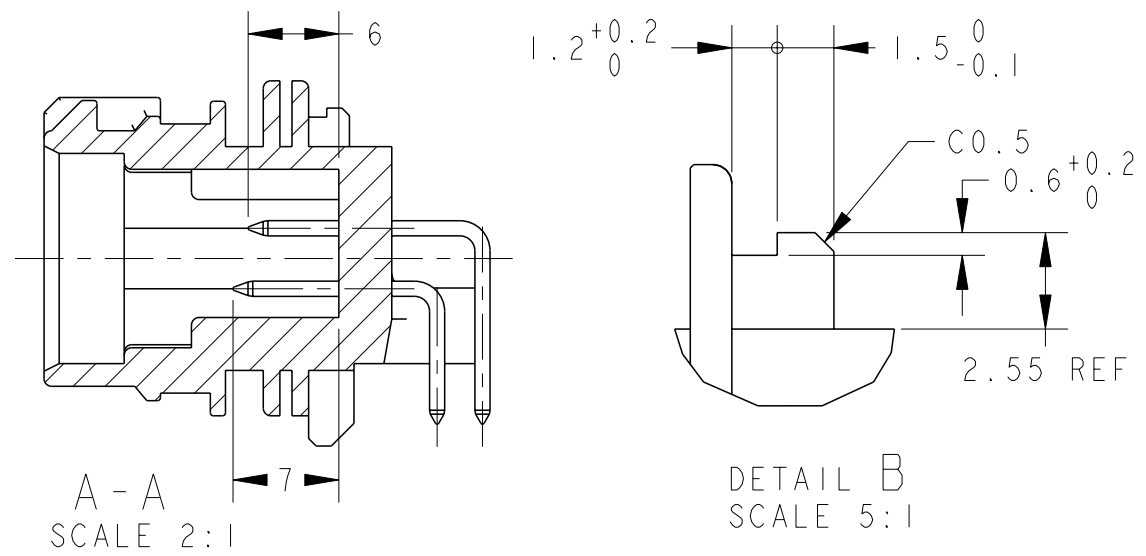
THIS DRAWING IS UNPUBLISHED. RELEASED FOR PUBLICATION 20
 © COPYRIGHT 20 ALL RIGHTS RESERVED.

REVISIONS					
REV	DATE	BY	CHK	APP	DESCRIPTION
A	120CT2016	TS	KB		RELEASED

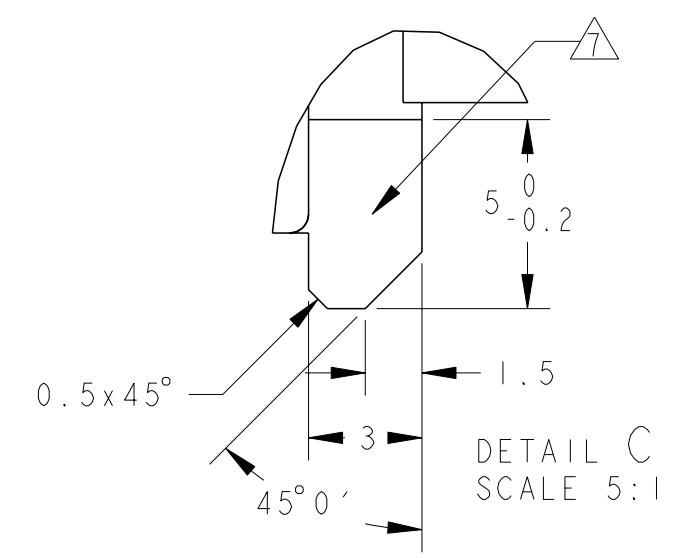
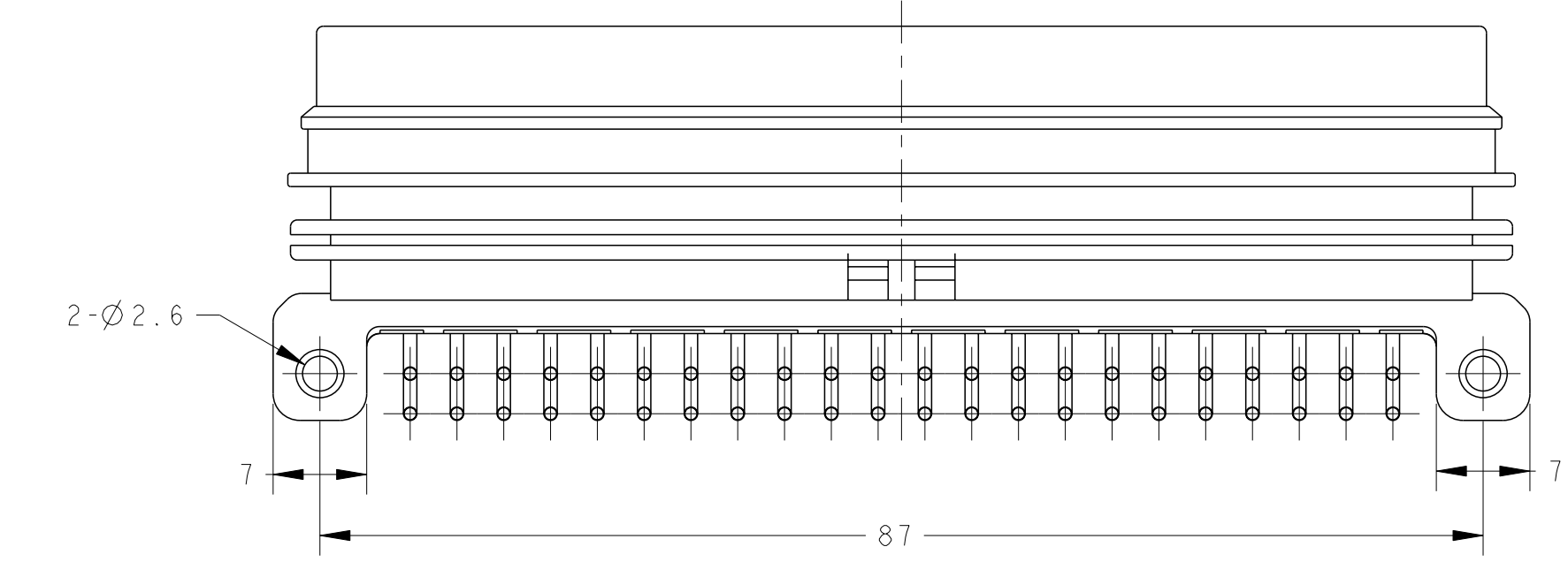
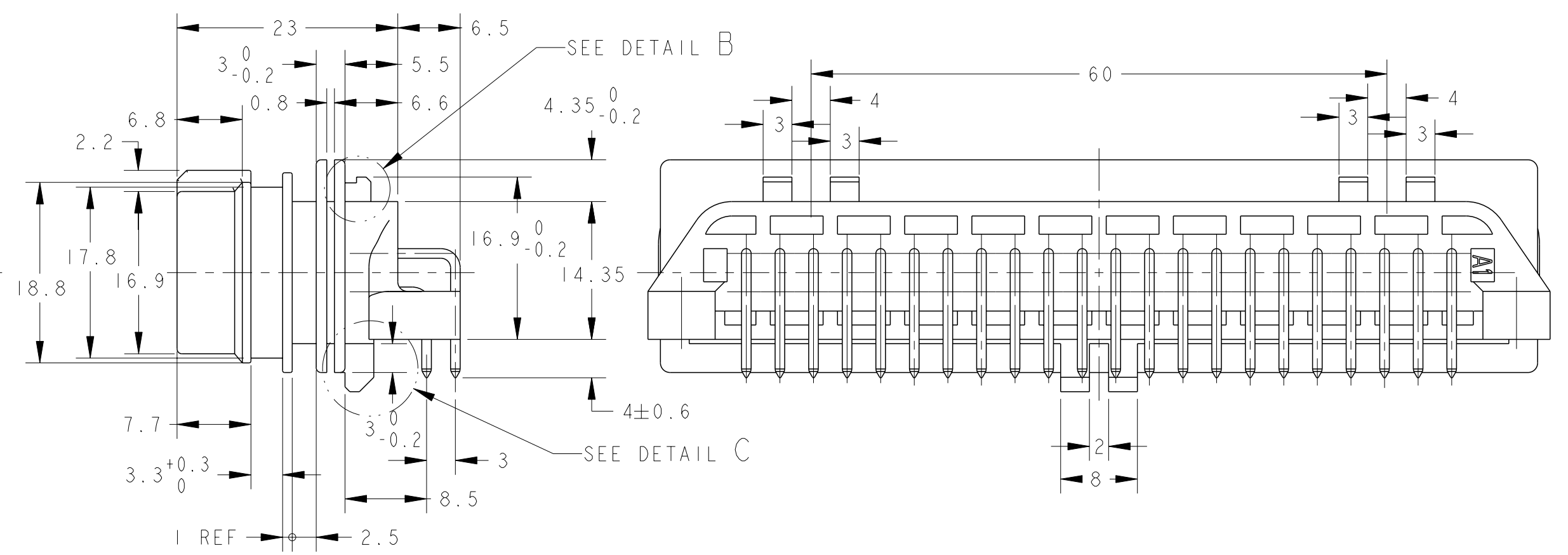
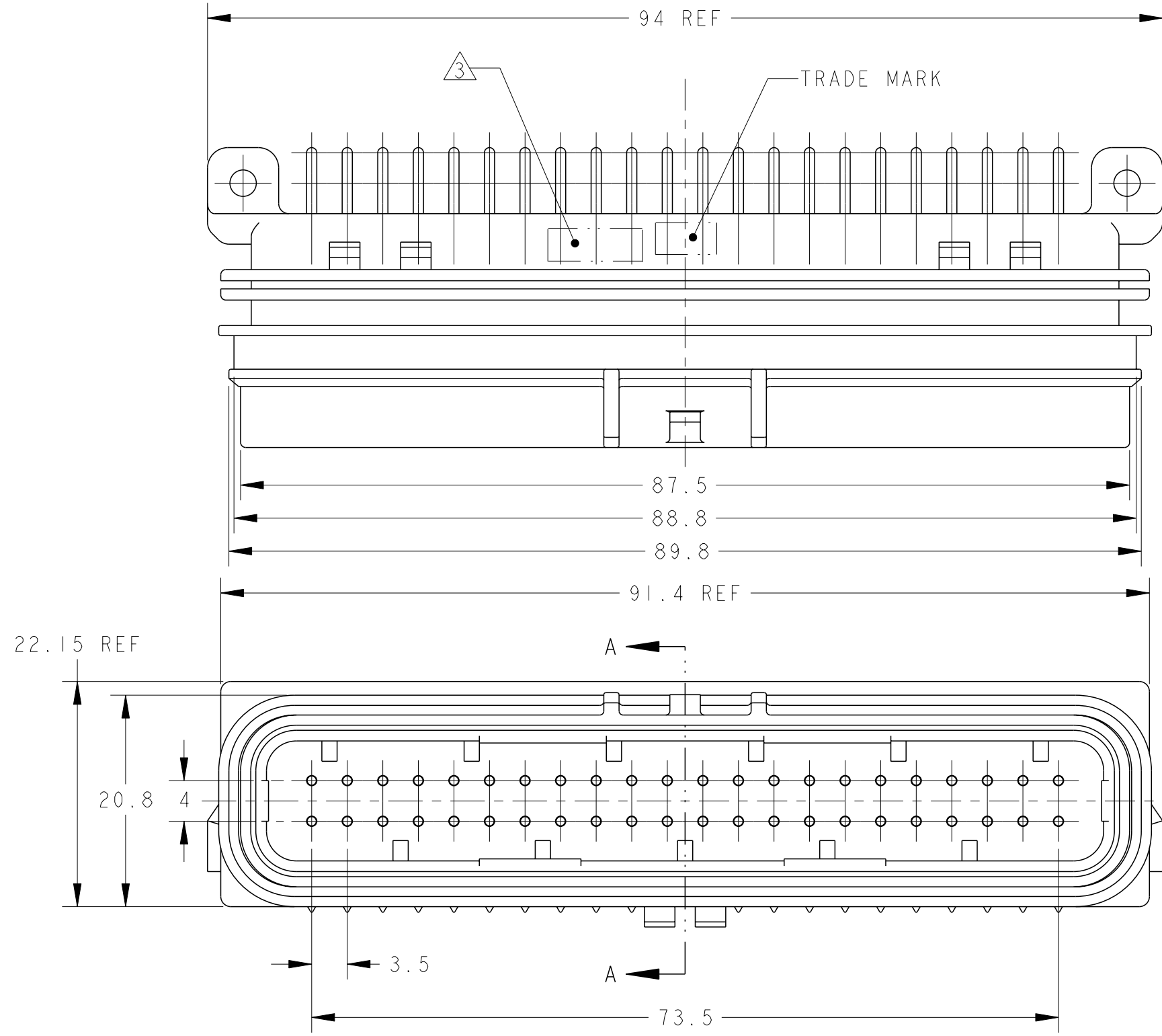


1. 図中指示なき公差は、±0.3
2. 材質 キャップハウジング: PPS樹脂 色調: 黒
ピンコンタクト: 黄銅 ニッケル下地 金めっき(接点部)
錫めっき(基板側)
3. 当箇所製造日管理番号(ロット番号)を印字する。
4. 推奨取付けねじ
JIS B 1122 十字穴付きタッピングねじ
なべ2種 3×L(L=6.5+基板厚)
先端溝付き及び溝なし (亜鉛メッキ)
5. 推奨基板厚: t=1.6 mm
6. 基板半田付け
基板半田付けの時には、コネクタ下部及び嵌合部に保護カバーを付ける事。

プリント基板 推奨ホールパターン
 (図は実装面から見た場合)
 P.C. BOARD RECOMMENDED HOLE PATTERN
 (FIGURE IS SEEN FROM A MOUNTING SIDE)



1. GENERAL TOLERANCE : ±0.3
 2. MATERIAL
CAP HOUSING: PPS RESIN COLOR: BLACK
PIN CONTACT: BRASS / NICKEL UNDER PLATE
GOLD PLATING (CONTACT INTERFACE)
TIN PLATING (SOLDERING PORTION)
 3. DATE CODE IS ORINTED IN THIS AREA (LOT NUMBER)
 4. RECOMMENDED SCREW
PAN-HEADED TYPE 2 TAPPING SCREW WITH A CROSS HOLE
3×L(L=6.5+P.C. BOARD THICKNESS) ZINC PLATING
(JIS B 1122)
 5. RECOMMENDED P.C. BOARD THICKNESS: t=1.6 mm
 6. SOLDERING
WHEN P.C. BOARD SOLDERING,
UNDER OF CONNECTOR AND CONNCTOR INTERFACE, A
PROTECTION COVER MUST BE ATTACHED
- THIS SHAPE MAKES ONLY UPPER LOCK TYPE 5-6447223-7



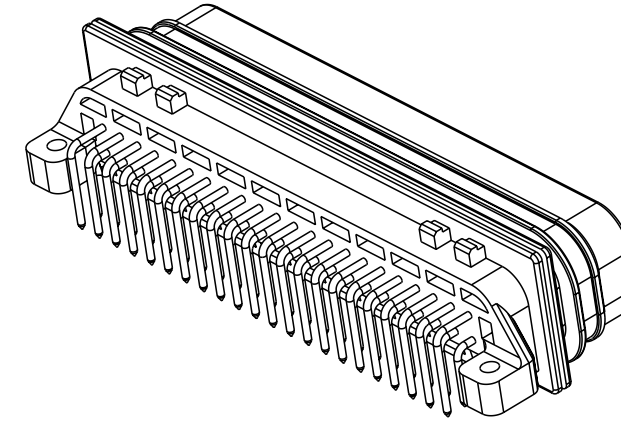
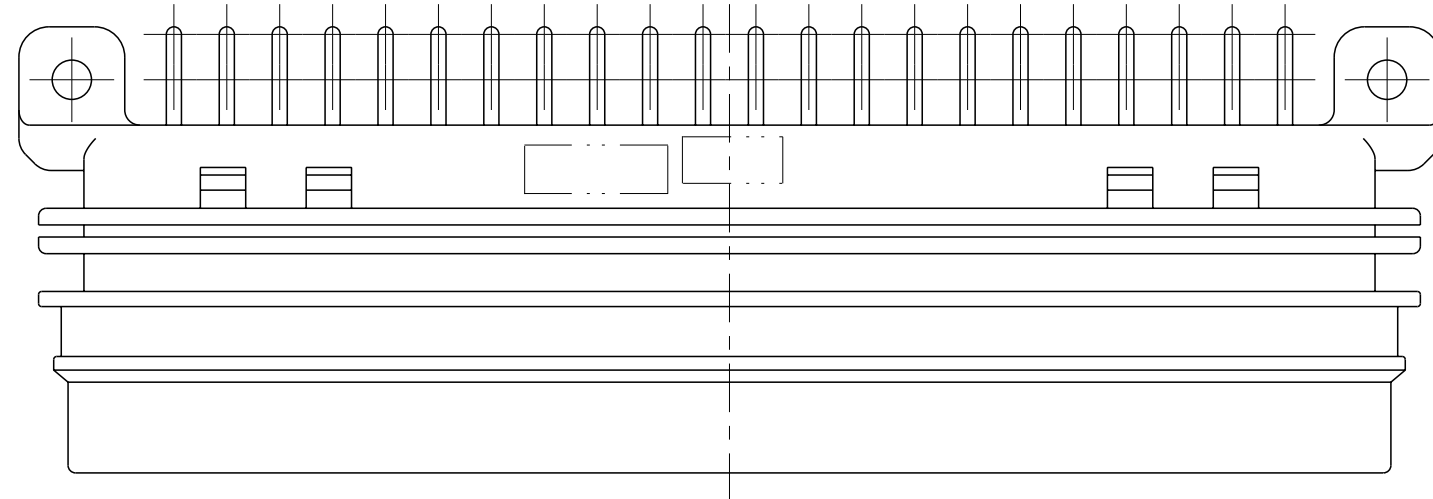
5-6447223-9	下ロック / UNDER LOCK
5-6447223-7	上ロック / UPPER LOCK
型番 / PART NO.	備考 / REMARK

THIS DRAWING IS A CONTROLLED DOCUMENT.		DWN T. SHINOHARA	30SEP2016
DIMENSIONS: 単位: mm		CHK K. BEISUI	30SEP2016
TOLERANCES UNLESS OTHERWISE SPECIFIED:		APVD K. BEISUI	30SEP2016
0-PLC ±		PRODUCT SPEC	
1-PLC ±0.1		108-78176-2	
2-PLC ±0.01		APPLICATION SPEC	
3-PLC ±0.001		取付適用規格	
4-PLC ±0.0001			
ANGLES ±1°00'		WEIGHT	
FINISH 仕上		CUSTOMER DRAWING	

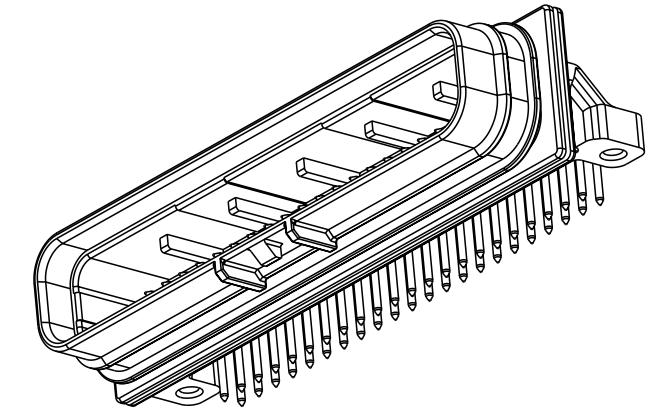
WIRE RANGE 総合電線番号	INSULATION DIA 被覆外径	TE Connectivity	
SUPER SEAL CONNECTOR CAP HOUSING 44Pos. ASSEMBLY		SIZE A2	RESTRICTED TO
CAGE CODE		DRAWING NO. C-1376885	
SCALE		SHEET 1 OF 2	REV A

THIS DRAWING IS UNPUBLISHED. RELEASED FOR PUBLICATION 20
 © COPYRIGHT 20 ALL RIGHTS RESERVED.

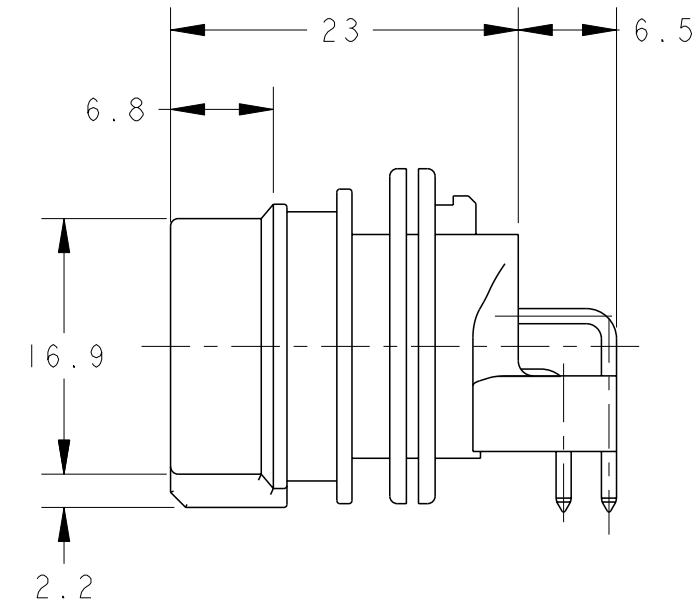
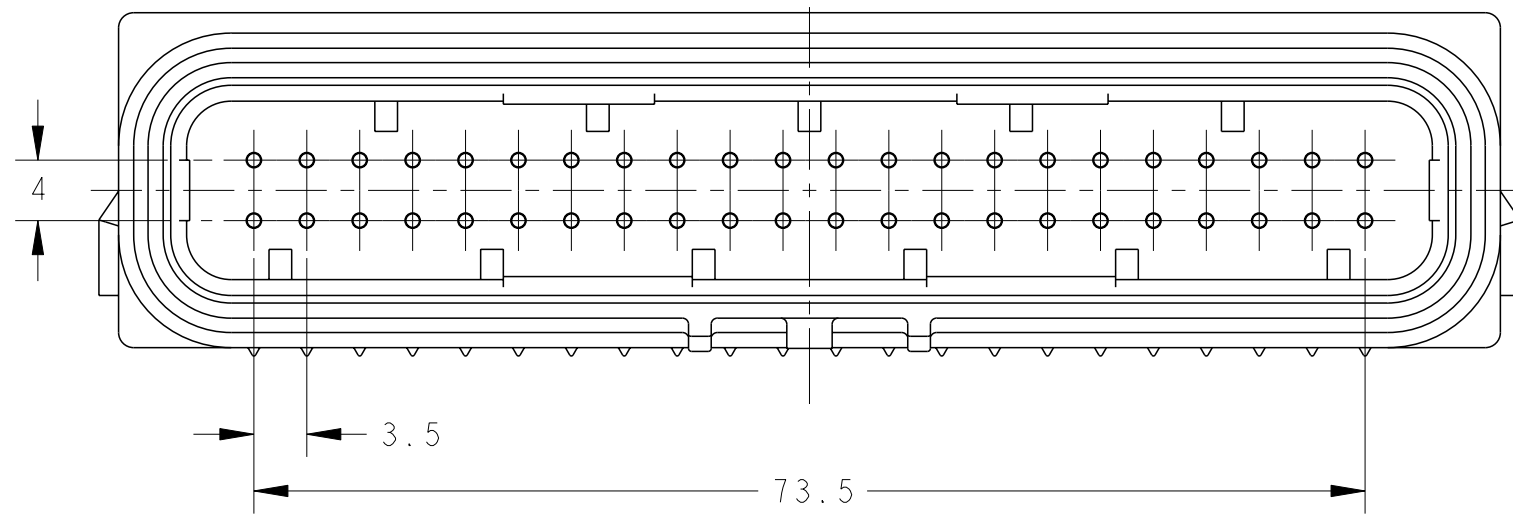
LOC		DIST		REVISIONS				
P	LTR	DESCRIPTION	ECN	DATE	DWN	APVD		
-	-	SEE SHEET 1 OF 2		-	-	-		



SCALE 2:1

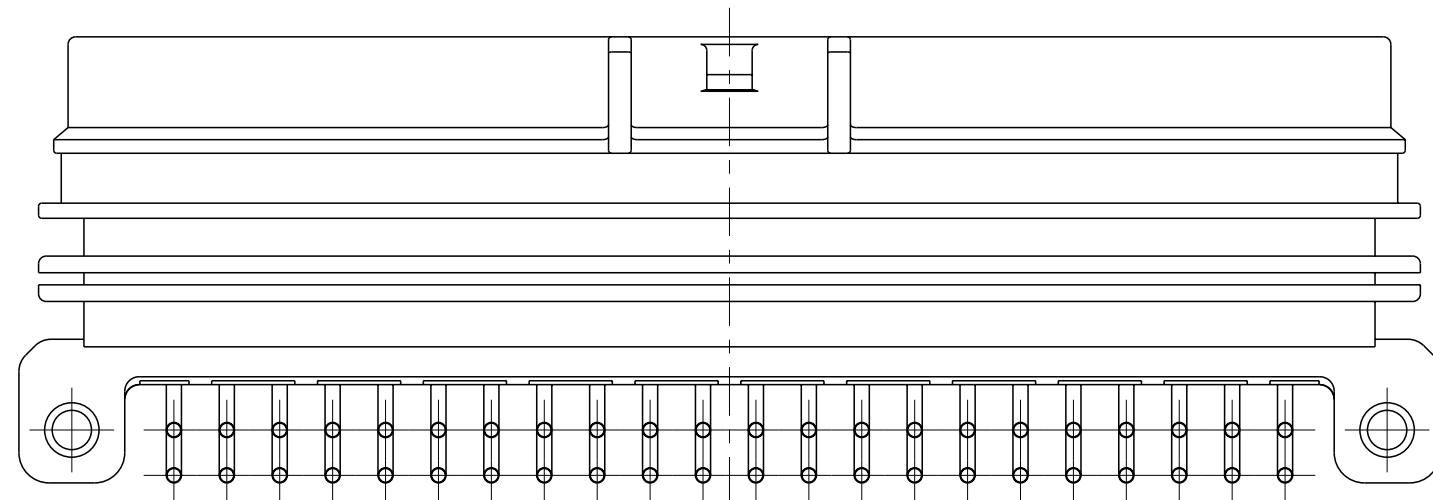


SCALE 2:1



- 1. 当図面は下ロックタイプ5-6447223-9とする。
- 2. 当図面の寸法以外は1/2上ロックタイプ5-6447223-7の寸法に準ずる。

- 1. THIS PLAN MAKES UNDER LOCK TYPE 5-6447223-9
- 2. OTHER THAN OF SIZE IN THIS PLAN CORRESPONDS TO THE SIZE OF LOCK TYPE 5-6447223-7



THIS DRAWING IS A CONTROLLED DOCUMENT.		DWN	-	WIRE RANGE 総合電線番号積		INSULATION DIA 被覆外径	
DIMENSIONS: 単位: 概 mm		CHK	-	TE Connectivity		NAME	
TOLERANCES UNLESS OTHERWISE SPECIFIED: 0-PLC ±0.1 1-PLC ±0.1 2-PLC ±0.03 3-PLC ±0.010 4-PLC ±0.0005 ANGLES ±1°00' FINISH 仕上		APVD	-			SUPER SEAL CONNECTOR CAP HOUSING 44Pos. ASSEMBLY	
MATERIAL		PRODUCT SPEC		SIZE	CAGE CODE	DRAWING NO	
		APPLICATION SPEC		A2	G-1376885		
		WEIGHT		CUSTOMER DRAWING		SCALE	SHEET
						2:1	2 OF 2
							REV A