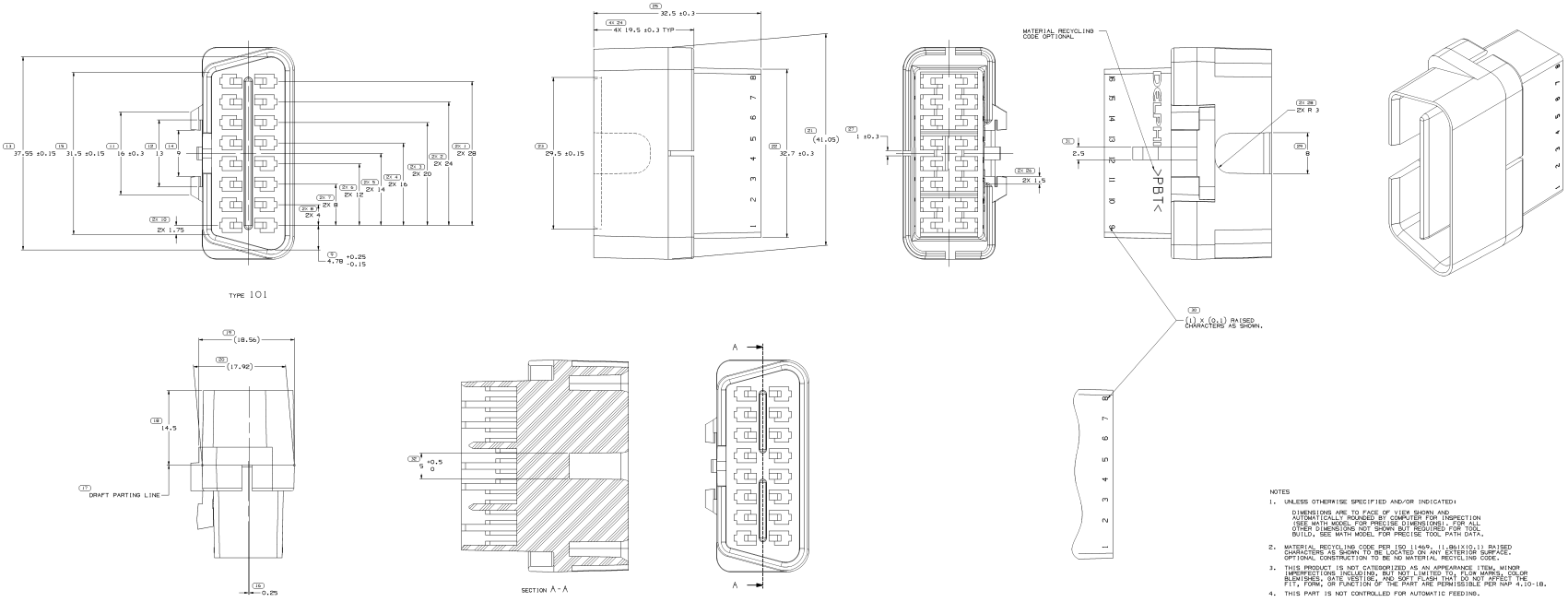


| SYMBOL DEFINITION                                                                                                                      |  | TOTAL NO. OF RESTRICTIONS REQUIRED | NO. MISSING SYMBOLS |
|----------------------------------------------------------------------------------------------------------------------------------------|--|------------------------------------|---------------------|
| A DIMENSION WITHOUT AN INSPECTION REPORT SYMBOL DOES NOT REQUIRE INSPECTION, IT MAY BE CONTROLLED ON THE INDIVIDUAL COMPONENT DRAWING. |  | 40                                 | 0                   |
| REF. NO.                                                                                                                               |  | 32                                 |                     |

| NO. OF | RESTRICTIONS | NO. MISSING SYMBOLS |
|--------|--------------|---------------------|
| 0      | 0            | 0                   |
| 1      | 0            | 0                   |
| 2      | 0            | 0                   |
| 3      | 0            | 0                   |
| 4      | 0            | 0                   |
| 5      | 0            | 0                   |
| 6      | 0            | 0                   |
| 7      | 0            | 0                   |
| 8      | 0            | 0                   |
| 9      | 0            | 0                   |
| 10     | 0            | 0                   |
| 11     | 0            | 0                   |
| 12     | 0            | 0                   |
| 13     | 0            | 0                   |
| 14     | 0            | 0                   |
| 15     | 0            | 0                   |
| 16     | 0            | 0                   |
| 17     | 0            | 0                   |
| 18     | 0            | 0                   |
| 19     | 0            | 0                   |
| 20     | 0            | 0                   |
| 21     | 0            | 0                   |
| 22     | 0            | 0                   |
| 23     | 0            | 0                   |
| 24     | 0            | 0                   |
| 25     | 0            | 0                   |
| 26     | 0            | 0                   |
| 27     | 0            | 0                   |
| 28     | 0            | 0                   |
| 29     | 0            | 0                   |
| 30     | 0            | 0                   |
| 31     | 0            | 0                   |
| 32     | 0            | 0                   |
| 33     | 0            | 0                   |
| 34     | 0            | 0                   |
| 35     | 0            | 0                   |
| 36     | 0            | 0                   |
| 37     | 0            | 0                   |
| 38     | 0            | 0                   |
| 39     | 0            | 0                   |
| 40     | 0            | 0                   |



- NOTES
- UNLESS OTHERWISE SPECIFIED AND/OR INDICATED: DIMENSIONS ARE TO FACE OF VIEW SHOWN AND AUTOMATICALLY PROPOSED DIMENSIONS FOR ALL OTHER DIMENSIONS NOT SHOWN BUT REQUIRED FOR TOOL BUILD, SEE WITH MODEL FOR PRECISE TOOL PATH DATA.
  - MATERIAL RECYCLING CODE PER ISO 11469: 11,981X10,11 RAISED CHARACTER AS SHOWN TO BE LOCATED ON ANY EXTERIOR SURFACE, PREFERABLY VISIBLE TO FINAL ASSEMBLY. OPTIONAL CONSTRUCTION TO BE NO MATERIAL RECYCLING CODE.
  - THIS PRODUCT IS NOT CATEGORIZED AS AN APPEARANCE ITEM. MINOR IMPERFECTIONS (INCLUDING, BUT NOT LIMITED TO: FLOW MARKS, COLOR BLENDS, OR TEXTURES) ARE ACCEPTABLE AND PERMISSIBLE PER NPQ 410-18.
  - THIS PART IS NOT CONTROLLED FOR AUTOMATIC FEEDING.
  - 11,981X10,11 RAISED DELPHI CORPORATE BRAND TO BE LOCATED ON ANY EXTERIOR SURFACE, PREFERABLY VISIBLE TO FINAL ASSEMBLY. OPTIONAL CONSTRUCTION TO BE "FED" OR NO LOGO.
  - MARKS/RESTRICTIONS ARE NOT INTENDED TO BE USED AS "STAND ALONE" TEST CONNECTORS AND SUCH DO NOT CONFORM TO SAE J1454 "WATER TIGHT WIRE CONNECTORS" (APPLICABLE TO ALL USES) OR PART OF "WATER TIGHT WIRE CONNECTORS" (APPLICABLE TO ALL USES) OR PART OF "WATER TIGHT WIRE CONNECTORS" (APPLICABLE TO ALL USES). REFER TO DELPHI P/N 12110250 (THE ASSEMBLY INCLUDES A CONNECTOR LOCK AND AN INSULATOR) FOR ADDITIONAL INFORMATION. REFER TO DELPHI P/N 12110250 FOR SPECIFIC RESTRICTED PART NUMBERS.
  - FOR APPLICATION DATA SEE THE INDIVIDUAL APPLICATION DRAWINGS.

13532294

| 33                         | 32                         | 31                         | 30                         | 29                         | 28                         | 27                         | 26                         | 25                         | 24                         | 23                         | 22                         | 21                         | 20                         | 19                         | 18                         | 17                         | 16                         | 15                         | 14                         | 13                         | 12                         | 11                         | 10                         | 9                          | 8                          | 7                          | 6                          | 5                          | 4                          | 3                          | 2                          | 1 |
|----------------------------|----------------------------|----------------------------|----------------------------|----------------------------|----------------------------|----------------------------|----------------------------|----------------------------|----------------------------|----------------------------|----------------------------|----------------------------|----------------------------|----------------------------|----------------------------|----------------------------|----------------------------|----------------------------|----------------------------|----------------------------|----------------------------|----------------------------|----------------------------|----------------------------|----------------------------|----------------------------|----------------------------|----------------------------|----------------------------|----------------------------|----------------------------|---|
| RESTRICTED-SEE NOTE 6.1    | RESTRICTED-SEE NOTE 6.1    | RESTRICTED-SEE NOTE 6.1    | RESTRICTED-SEE NOTE 6.1    | RESTRICTED-SEE NOTE 6.1    | RESTRICTED-SEE NOTE 6.1    | RESTRICTED-SEE NOTE 6.1    | RESTRICTED-SEE NOTE 6.1    | RESTRICTED-SEE NOTE 6.1    | RESTRICTED-SEE NOTE 6.1    | RESTRICTED-SEE NOTE 6.1    | RESTRICTED-SEE NOTE 6.1    | RESTRICTED-SEE NOTE 6.1    | RESTRICTED-SEE NOTE 6.1    | RESTRICTED-SEE NOTE 6.1    | RESTRICTED-SEE NOTE 6.1    | RESTRICTED-SEE NOTE 6.1    | RESTRICTED-SEE NOTE 6.1    | RESTRICTED-SEE NOTE 6.1    | RESTRICTED-SEE NOTE 6.1    | RESTRICTED-SEE NOTE 6.1    | RESTRICTED-SEE NOTE 6.1    | RESTRICTED-SEE NOTE 6.1    | RESTRICTED-SEE NOTE 6.1    | RESTRICTED-SEE NOTE 6.1    | RESTRICTED-SEE NOTE 6.1    | RESTRICTED-SEE NOTE 6.1    | RESTRICTED-SEE NOTE 6.1    | RESTRICTED-SEE NOTE 6.1    | RESTRICTED-SEE NOTE 6.1    | RESTRICTED-SEE NOTE 6.1    | RESTRICTED-SEE NOTE 6.1    |   |
| POLYESTER-DIMENSIONAL BLUE | POLYESTER-DIMENSIONAL BLUE | POLYESTER-DIMENSIONAL BLUE | POLYESTER-DIMENSIONAL BLUE | POLYESTER-DIMENSIONAL BLUE | POLYESTER-DIMENSIONAL BLUE | POLYESTER-DIMENSIONAL BLUE | POLYESTER-DIMENSIONAL BLUE | POLYESTER-DIMENSIONAL BLUE | POLYESTER-DIMENSIONAL BLUE | POLYESTER-DIMENSIONAL BLUE | POLYESTER-DIMENSIONAL BLUE | POLYESTER-DIMENSIONAL BLUE | POLYESTER-DIMENSIONAL BLUE | POLYESTER-DIMENSIONAL BLUE | POLYESTER-DIMENSIONAL BLUE | POLYESTER-DIMENSIONAL BLUE | POLYESTER-DIMENSIONAL BLUE | POLYESTER-DIMENSIONAL BLUE | POLYESTER-DIMENSIONAL BLUE | POLYESTER-DIMENSIONAL BLUE | POLYESTER-DIMENSIONAL BLUE | POLYESTER-DIMENSIONAL BLUE | POLYESTER-DIMENSIONAL BLUE | POLYESTER-DIMENSIONAL BLUE | POLYESTER-DIMENSIONAL BLUE | POLYESTER-DIMENSIONAL BLUE | POLYESTER-DIMENSIONAL BLUE | POLYESTER-DIMENSIONAL BLUE | POLYESTER-DIMENSIONAL BLUE | POLYESTER-DIMENSIONAL BLUE | POLYESTER-DIMENSIONAL BLUE |   |
| POLYESTER-DIMENSIONAL RED  | POLYESTER-DIMENSIONAL RED  | POLYESTER-DIMENSIONAL RED  | POLYESTER-DIMENSIONAL RED  | POLYESTER-DIMENSIONAL RED  | POLYESTER-DIMENSIONAL RED  | POLYESTER-DIMENSIONAL RED  | POLYESTER-DIMENSIONAL RED  | POLYESTER-DIMENSIONAL RED  | POLYESTER-DIMENSIONAL RED  | POLYESTER-DIMENSIONAL RED  | POLYESTER-DIMENSIONAL RED  | POLYESTER-DIMENSIONAL RED  | POLYESTER-DIMENSIONAL RED  | POLYESTER-DIMENSIONAL RED  | POLYESTER-DIMENSIONAL RED  | POLYESTER-DIMENSIONAL RED  | POLYESTER-DIMENSIONAL RED  | POLYESTER-DIMENSIONAL RED  | POLYESTER-DIMENSIONAL RED  | POLYESTER-DIMENSIONAL RED  | POLYESTER-DIMENSIONAL RED  | POLYESTER-DIMENSIONAL RED  | POLYESTER-DIMENSIONAL RED  | POLYESTER-DIMENSIONAL RED  | POLYESTER-DIMENSIONAL RED  | POLYESTER-DIMENSIONAL RED  | POLYESTER-DIMENSIONAL RED  | POLYESTER-DIMENSIONAL RED  | POLYESTER-DIMENSIONAL RED  | POLYESTER-DIMENSIONAL RED  |                            |   |
| ENGINE                     | ENGINE                     | ENGINE                     | ENGINE                     | ENGINE                     | ENGINE                     | ENGINE                     | ENGINE                     | ENGINE                     | ENGINE                     | ENGINE                     | ENGINE                     | ENGINE                     | ENGINE                     | ENGINE                     | ENGINE                     | ENGINE                     | ENGINE                     | ENGINE                     | ENGINE                     | ENGINE                     | ENGINE                     | ENGINE                     | ENGINE                     | ENGINE                     | ENGINE                     | ENGINE                     | ENGINE                     | ENGINE                     | ENGINE                     | ENGINE                     | ENGINE                     |   |
| VOLUME CM <sup>3</sup>     | VOLUME CM <sup>3</sup>     | VOLUME CM <sup>3</sup>     | VOLUME CM <sup>3</sup>     | VOLUME CM <sup>3</sup>     | VOLUME CM <sup>3</sup>     | VOLUME CM <sup>3</sup>     | VOLUME CM <sup>3</sup>     | VOLUME CM <sup>3</sup>     | VOLUME CM <sup>3</sup>     | VOLUME CM <sup>3</sup>     | VOLUME CM <sup>3</sup>     | VOLUME CM <sup>3</sup>     | VOLUME CM <sup>3</sup>     | VOLUME CM <sup>3</sup>     | VOLUME CM <sup>3</sup>     | VOLUME CM <sup>3</sup>     | VOLUME CM <sup>3</sup>     | VOLUME CM <sup>3</sup>     | VOLUME CM <sup>3</sup>     | VOLUME CM <sup>3</sup>     | VOLUME CM <sup>3</sup>     | VOLUME CM <sup>3</sup>     | VOLUME CM <sup>3</sup>     | VOLUME CM <sup>3</sup>     | VOLUME CM <sup>3</sup>     | VOLUME CM <sup>3</sup>     | VOLUME CM <sup>3</sup>     | VOLUME CM <sup>3</sup>     | VOLUME CM <sup>3</sup>     | VOLUME CM <sup>3</sup>     |                            |   |

**DELPHI**  
DELPHI POWER SYSTEMS, ELECTRICS AND THERMAL PARTS

|       |     |                         |
|-------|-----|-------------------------|
| DATE  | REV | DESCRIPTION             |
| 11/02 | 1   | INITIAL DESIGN          |
| 11/02 | 2   | REVISED FOR MANUFACTURE |
| 11/02 | 3   | REVISED FOR MANUFACTURE |
| 11/02 | 4   | REVISED FOR MANUFACTURE |
| 11/02 | 5   | REVISED FOR MANUFACTURE |
| 11/02 | 6   | REVISED FOR MANUFACTURE |
| 11/02 | 7   | REVISED FOR MANUFACTURE |
| 11/02 | 8   | REVISED FOR MANUFACTURE |
| 11/02 | 9   | REVISED FOR MANUFACTURE |
| 11/02 | 10  | REVISED FOR MANUFACTURE |
| 11/02 | 11  | REVISED FOR MANUFACTURE |
| 11/02 | 12  | REVISED FOR MANUFACTURE |
| 11/02 | 13  | REVISED FOR MANUFACTURE |
| 11/02 | 14  | REVISED FOR MANUFACTURE |
| 11/02 | 15  | REVISED FOR MANUFACTURE |
| 11/02 | 16  | REVISED FOR MANUFACTURE |
| 11/02 | 17  | REVISED FOR MANUFACTURE |
| 11/02 | 18  | REVISED FOR MANUFACTURE |
| 11/02 | 19  | REVISED FOR MANUFACTURE |
| 11/02 | 20  | REVISED FOR MANUFACTURE |
| 11/02 | 21  | REVISED FOR MANUFACTURE |
| 11/02 | 22  | REVISED FOR MANUFACTURE |
| 11/02 | 23  | REVISED FOR MANUFACTURE |
| 11/02 | 24  | REVISED FOR MANUFACTURE |
| 11/02 | 25  | REVISED FOR MANUFACTURE |
| 11/02 | 26  | REVISED FOR MANUFACTURE |
| 11/02 | 27  | REVISED FOR MANUFACTURE |
| 11/02 | 28  | REVISED FOR MANUFACTURE |
| 11/02 | 29  | REVISED FOR MANUFACTURE |
| 11/02 | 30  | REVISED FOR MANUFACTURE |
| 11/02 | 31  | REVISED FOR MANUFACTURE |
| 11/02 | 32  | REVISED FOR MANUFACTURE |
| 11/02 | 33  | REVISED FOR MANUFACTURE |
| 11/02 | 34  | REVISED FOR MANUFACTURE |
| 11/02 | 35  | REVISED FOR MANUFACTURE |
| 11/02 | 36  | REVISED FOR MANUFACTURE |
| 11/02 | 37  | REVISED FOR MANUFACTURE |
| 11/02 | 38  | REVISED FOR MANUFACTURE |
| 11/02 | 39  | REVISED FOR MANUFACTURE |
| 11/02 | 40  | REVISED FOR MANUFACTURE |

13532294

11/02 13532294

13235504