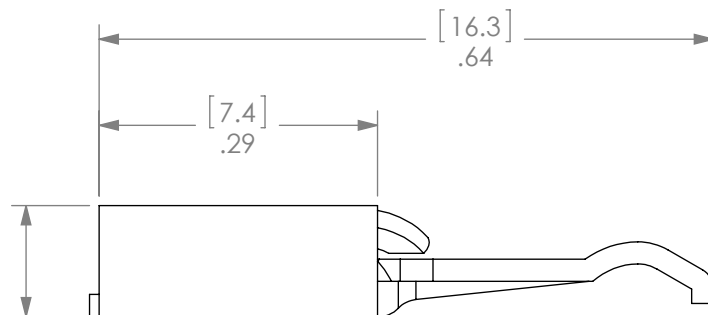
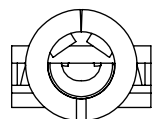
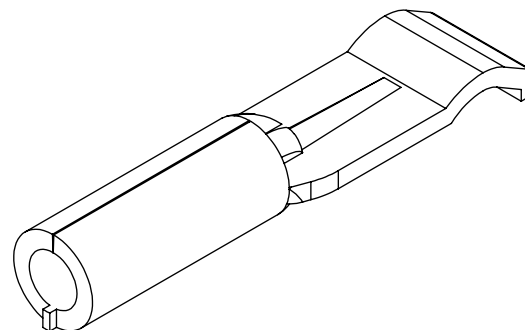
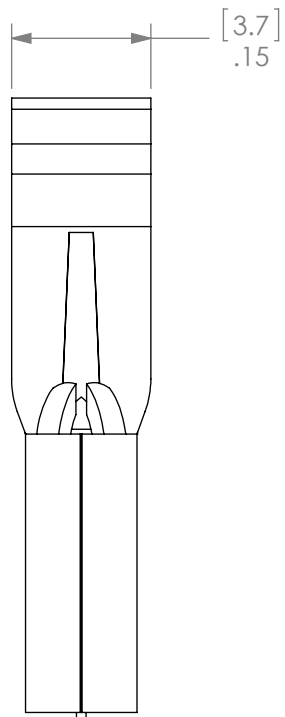


THE INFORMATION CONTAINED IN THIS DRAWING IS THE SOLE PROPERTY OF ANDERSON POWER PRODUCTS. ANY REPRODUCTION IN PART OR WHOLE WITHOUT THE WRITTEN PERMISSION OF ANDERSON POWER PRODUCTS IS PROHIBITED.

Copyright 1981

ANDERSON POWER PRODUCTS RESERVES THE RIGHT TO ALTER PRODUCT TYPES, THEIR TECHNICAL DATA, DIMENSION, STYLE AND ACCESSORIES WITHOUT PRIOR NOTIFICATION.



[2.9] .12

DIMENSIONS ARE IN:		INCH [MM]		<i>APPROVALS</i>			ANDERSON POWER PRODUCTS		
UNLESS OTHERWISE STATED				DRAWN	RS		5/5/1981	TITLE CATALOG NO. 1332 POWERPOLE 15 CONTACT FOR #16 - #20 AWG WIRE	
TOLERANCES:				CHECKED	LVR	5/5/1981	SIZE A		
DECIMALS (INCH)	DECIMALS (MM)	ANGLES		MFG APPRV	CHB	10/21/2001			
.XX ± .02	.X ± .5	±2°		QC APPRV	RPO	10/10/2001	REV. 7		
SURFACE FINISH:				ENG APPRV	UFN	10/21/2001			
MACHINED		128µin [3.2µ]		-CAD GENERATED DRAWING- DO NOT MANUALLY UPDATE DO NOT SCALE			NONE	01034	1 OF 1
MOLDED		64µin [1.6µ]							
MATERIAL:				3rd ANGLE PROJECTION					
COPPER									
FINISH:									
SILVER PLATE									

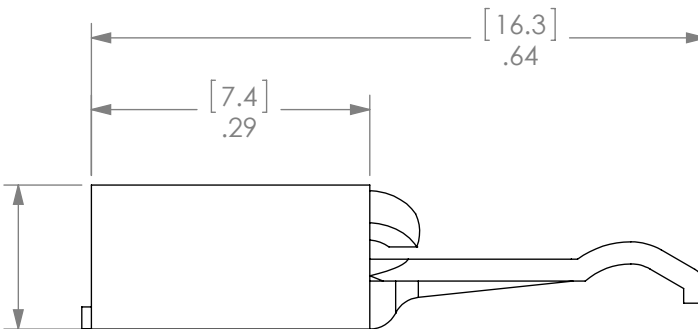
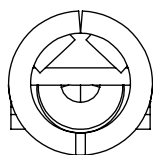
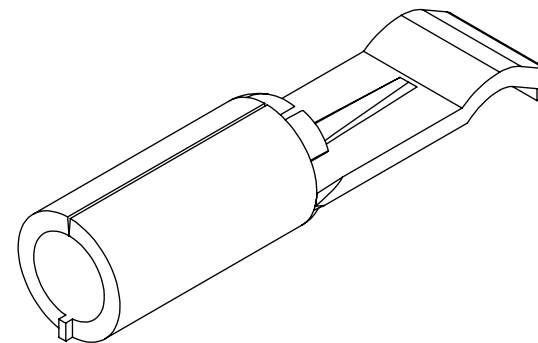
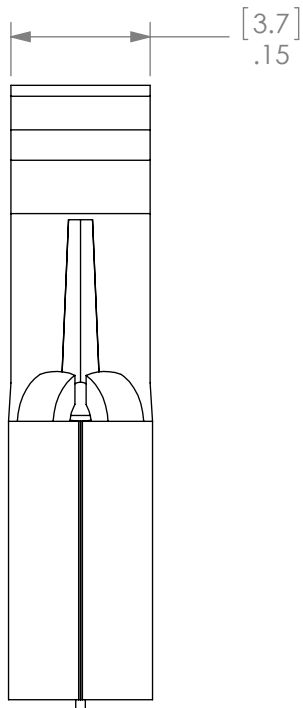
REV.	DESCRIPTION	APPRV	DATE
7	ECRN-15550	TWE	1/15/2014
6	ECRN-13433	CMS	10/23/01
5	ECRN-13212 REDRAWN	CMS	6/15/99

REVISIONS

THE INFORMATION CONTAINED IN THIS DRAWING IS THE SOLE PROPERTY OF ANDERSON POWER PRODUCTS. ANY REPRODUCTION IN PART OR WHOLE WITHOUT THE WRITTEN PERMISSION OF ANDERSON POWER PRODUCTS IS PROHIBITED.

Copyright 1997

ANDERSON POWER PRODUCTS RESERVES THE RIGHT TO ALTER PRODUCT TYPES, THEIR TECHNICAL DATA, DIMENSION, STYLE AND ACCESSORIES WITHOUT PRIOR NOTIFICATION.



[3.8] .15

3	ECRN-15550	TWE	1/15/2014
2	ECRN-13433	CMS	10/23/01
1	ECRN-13220 REDRAWN	CMS	8/25/99
REV.	DESCRIPTION	APPRV	DATE

REVISIONS

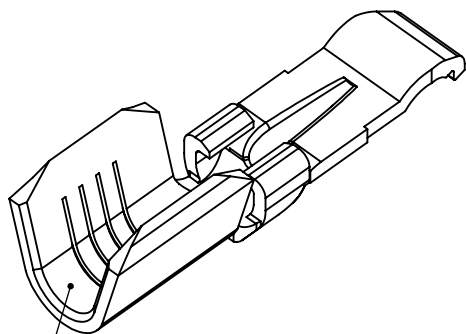
DIMENSIONS ARE IN:	INCH [MM]	APPROVALS			ANDERSON POWER PRODUCTS		
UNLESS OTHERWISE STATED		DRAWN	RLE		3/11/1997	TITLE CATALOG NUMBER 1331 PP30 CONTACT FOR #12 - #16 AWG WIRE	
TOLERANCES:		CHECKED	DJD	10/9/2001			
DECIMALS (INCH) DECIMALS (MM) ANGLES .XX ± .02 .X ± .5 ±2°		MFG APPRV	CHB	10/21/2001			
SURFACE FINISH:		QC APPRV	RPO	10/10/2001			
MATERIAL:		ENG APPRV	UFN	3/11/1997	SIZE	DWG NO.	REV.
COPPER					A	114018S2	3
FINISH:					SCALE	CADFILE	SHEET
SILVER PLATE					NONE	01057	1 OF 1
		-CAD GENERATED DRAWING- DO NOT MANUALLY UPDATE DO NOT SCALE					

8 7 6 5 4 3 2 1

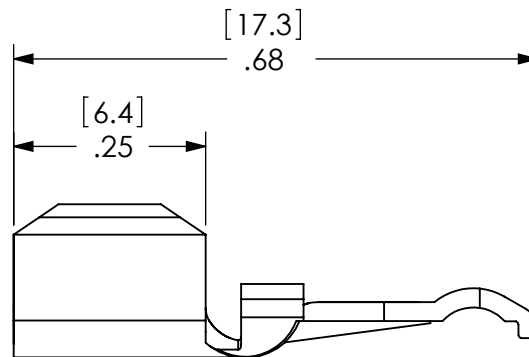
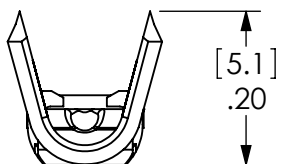
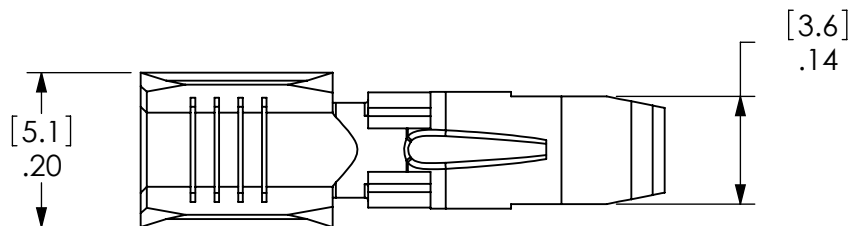
THE INFORMATION CONTAINED IN THIS DRAWING IS THE SOLE PROPERTY OF ANDERSON POWER PRODUCTS. ANY REPRODUCTION IN PART OR WHOLE WITHOUT THE WRITTEN PERMISSION OF ANDERSON POWER PRODUCTS IS PROHIBITED.

Copyright 2009

ANDERSON POWER PRODUCTS RESERVES THE RIGHT TO ALTER PRODUCT TYPES, THEIR TECHNICAL DATA, DIMENSION, STYLE AND ACCESSORIES WITHOUT PRIOR NOTIFICATION.



BARREL FOR
#10-14 AWG WIRE



DIMENSIONS ARE IN:	INCH[MM]	APPROVALS	
UNLESS OTHERWISE STATED		DRAWN	NTS 6/18/09
TOLERANCES:		CHECKED	DJD 6/18/09
DECIMALS (INCH)	DECIMALS (MM)	ANGLES	MFG APP
.XX ± .02	.X ± .5	±2°	CHB 6/18/09
SURFACE FINISH:		QC APP	UFN 6/18/09
MACHINED	128 [3.2]	ENG APP	BD 6/18/09
MOLDED	64 [1.6]	SIZE A/A4	
MATERIAL:	COPPER	DWG NO. 112718S7	
FINISH:	SILVER PLATE	REV. 0	

ANDERSON POWER PRODUCTS

TITLE
CATALOG #261G3
PP45 REEL CONTACT
TYPE "F" CRIMP

SCALE: NONE
CADFILE: 02926
SHEET: 1 OF 1

* REV.	*****	***	*****
DESCRIPTION OF CHANGES	APPROVED	DATE	

3rd ANGLE PROJECTION

-CAD GENERATED DRAWING-
DO NOT MANUALLY UPDATE
DO NOT SCALE

8 7 6 5 4 3 2 1