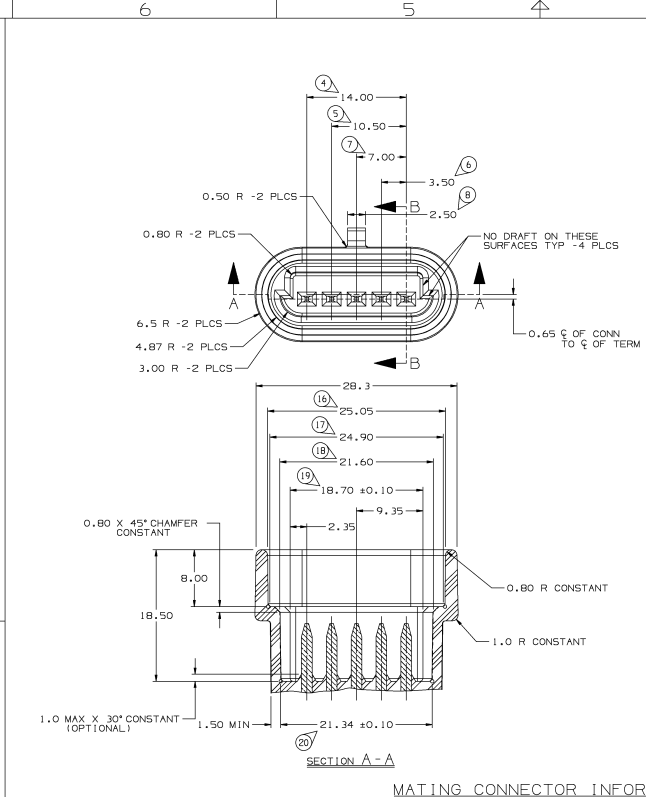
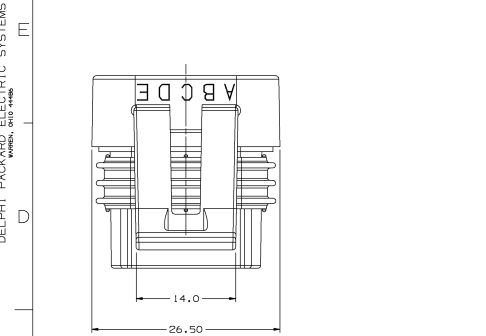
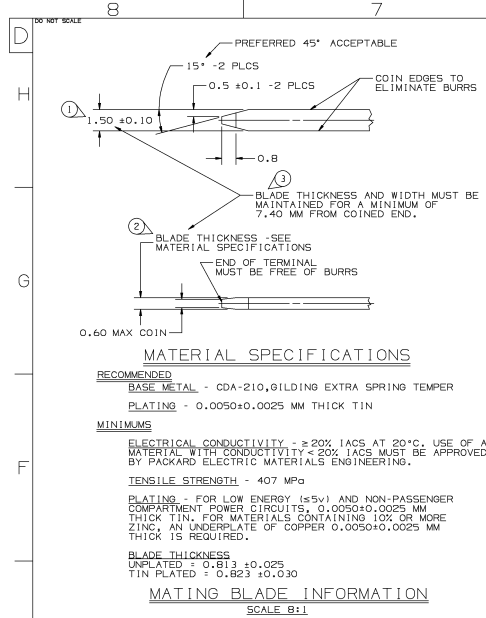


DELPHI PACKARD ELECTRIC SYSTEMS



NOTES:

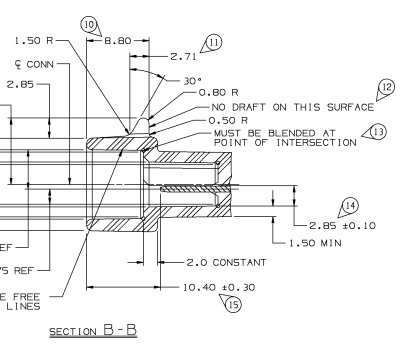
- UNLESS OTHERWISE SPECIFIED AND/OR INDICATED: DIMENSIONS ARE TO FACE OF VIEW SHOWN AND AUTOMATICALLY ROUNDED BY COMPUTER FOR INSPECTION. (SEE MATH MODEL FOR PRECISE DIMENSION) FOR ALL OTHER DIMENSIONS NOT SHOWN BUT REQUIRED FOR TOOL BUILD, SEE MATH MODEL FOR PRECISE TOOL PATH DATA. ALL RADII 0.40 DRAFT 15 1° ON ALL OUTSIDE SURFACES

RECOMMENDED MATERIAL: GLASS REINFORCED NYLON OR POLYESTER

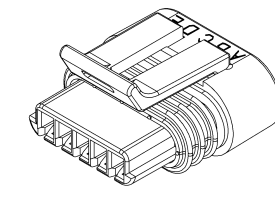
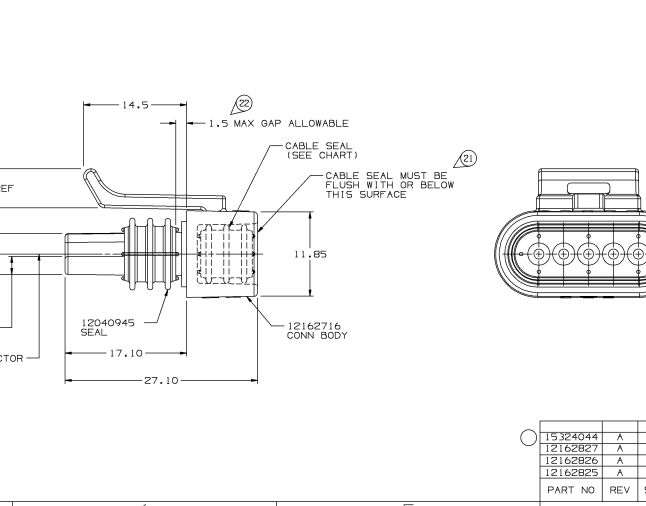
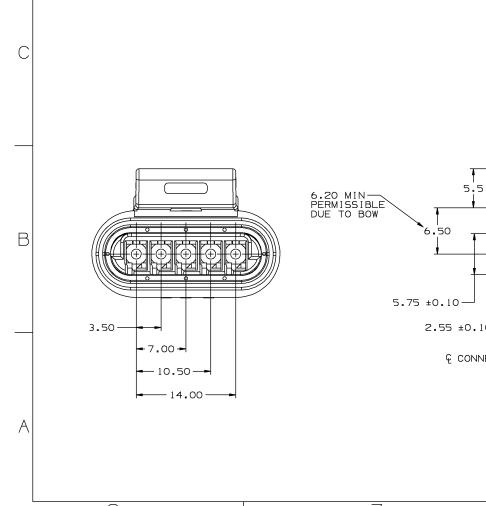
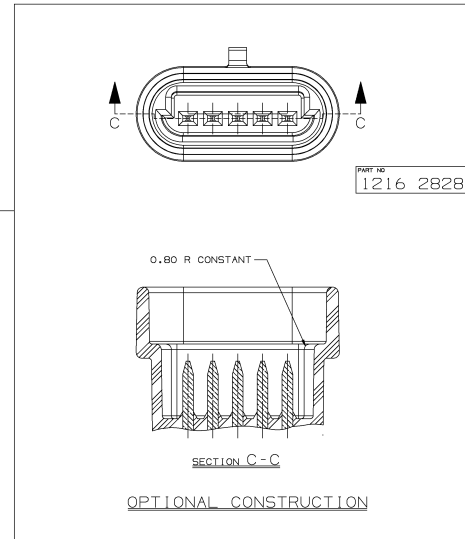
SNOWCONE CHARACTERISTICS

C DENOTES DIMENSIONS AND CHARACTERISTICS THAT ARE IMPORTANT TO THE FUNCTION AND/OR PROCESSING OF THE PART THAT HAVE SPECIAL ACCEPTANCE CRITERIA FOR PRODUCTION APPROVAL.

TOTAL ON DRAWING	22
LAST NO. USED	



DATE	REV	REVISION RECORD	AUTH	DR	OK
24.L.97		CLEARED REV. COLLAN & 15324044 RELEASED TO REV "A"			



NOTES:

- UNLESS OTHERWISE SPECIFIED AND/OR INDICATED: DIMENSIONS ARE TO FACE OF VIEW SHOWN AND AUTOMATICALLY ROUNDED BY COMPUTER FOR INSPECTION. (SEE MATH MODEL FOR PRECISE DIMENSION) FOR ALL OTHER DIMENSIONS NOT SHOWN BUT REQUIRED FOR TOOL BUILD, SEE MATH MODEL FOR PRECISE TOOL PATH DATA. ALL RADII 0.40 DRAFT 15 1° ON ALL OUTSIDE SURFACES CAVITIES ARE IDENTICAL LOCKING FEATURES ARE IDENTICAL
- MATING COMPONENTS: CAVITIES TO ACCEPT 12124075 TERMINAL OR EQUIVALENT
- WHEN PARTS ARE SHIPPED THEY MUST BE PACKED IN PLASTIC BAGS OR SHIPPING CONTAINERS MUST BE LINED WITH PLASTIC LINERS. BAGS OR LINERS MUST BE SEALED TO AVOID ENTRY OF FOREIGN MATTER
- FOR LEAD LENGTH CALCULATIONS DISTANCE FROM MATING END OF CONNECTOR TO FRONT OF CABLE CORE IS 8.60 ±1.55
- SEALING CODE 3

15324044	A		15324043 - WHITE
12162827	A		12161140 - PURPLE
12162826	A		12084415 - TAN
12162825	A		12040946 - GREEN
PART NO	REV	STATUS	CABLE SEAL & COLOR

PART NO: 1216 2828

DRIVING TYPE P1D	OTHER DRAWINGS AVAILABLE
THIRD ANGLE PROJECTION	METRIC
CODE NO: 6900	ONE PLACE ±0.3
OC: C-5110	TWO PLACE ±0.15
DRP DATE: 19FE96	DR ALBERTO VITE 19FE96
SCALE: 4:1	DR ALBERTO VITE 19FE96
REFERENCE NO: 12084489	DRN T.E. UNLR 20FE96
MATERIAL SPEC	VOL. 04*
NAME: TAXI ASM CONN 5F M/P 150.2 P25	SEE CHART
PART NUMBER: 1216 2828	REV: A0