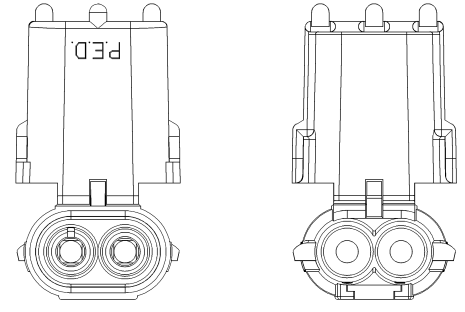
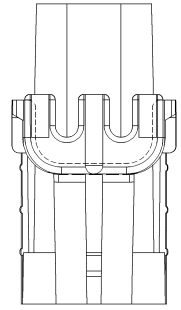
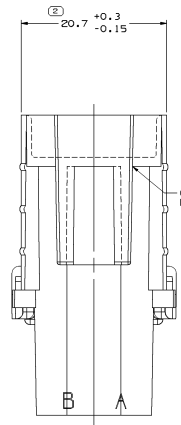
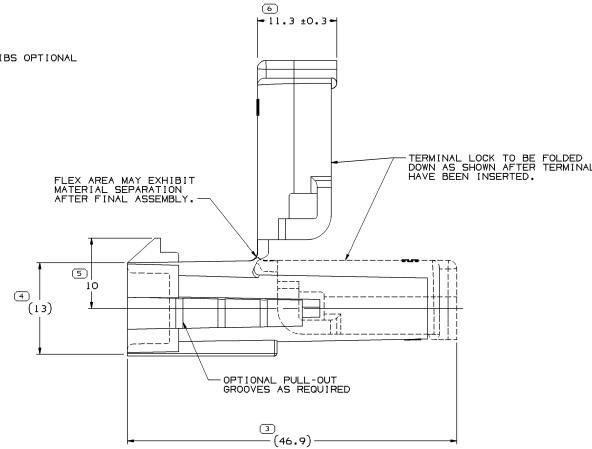
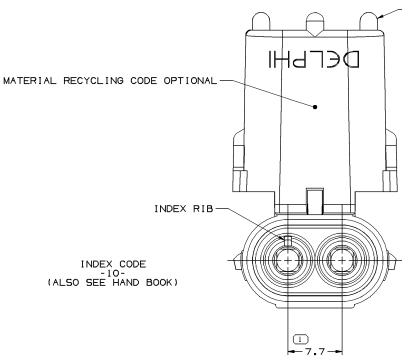
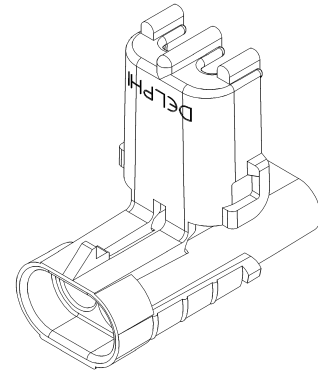


SYMBOL DEFINITION		MISSING SYMBOLS	
A DIMENSION WITHOUT AN INSPECTION REPORT SYMBOL DOES NOT REQUIRE INSPECTION. IT MAY BE CONTROLLED ON THE INDIVIDUAL COMPONENT DRAWING.	TOTAL NO OF INSPECTIONS REQUIRED	NO MISSING SYMBOL NUMBER	
	9		
	LAST NO. USED	9	

DWG STATUS				REVISION HISTORY				AUTH		DR	
DATE	REV	BY	COM	DATE	REV	BY	COM	DR	APP	CHK	APP
18JAN01	R 01	-	-					295957	EOV	EVV	JA
10MY02	R 02	-	-					225251	EOV	EVV	RC
11DEC02	R 03	-	-					234561	EOV	EVV	RC
21AUG03	R 04	-	-					244745	EOV	EVV	AM
01JUL04	R 05	-	-					254451	JS	JS	TM
12AP06	R 06	-	-					276333	JS	JS	TM
27DEC06	R 07	-	-					288195	WCH	FRD	901
26JAN07	R 08	-	-					480344	WCH	JVM	WTM
08MAY08	R 09	-	-					484221	WCH	TLR	RLS
18FEB10	R 10	-	-					410063	LMT	LMT	LMT
23DEC11	R 11	-	-					418552	JRY	FOO	JRY



OPTIONAL CONSTRUCTION



- NOTES
- UNLESS OTHERWISE SPECIFIED AND/OR INDICATED: DIMENSIONS ARE TO FACE OF VIEW SHOWN AND AUTOMATICALLY ROUNDED BY COMPUTER FOR INSPECTION (SEE MATH MODEL FOR PRECISE DIMENSIONS). FOR ALL OTHER DIMENSIONS NOT SHOWN BUT REQUIRED FOR TOOL BUILD, SEE MATH MODEL FOR PRECISE TOOL PATH DATA.
 - MATERIAL RECYCLING CODE PER ISO 11469. (2,3)X(10,11) CHARACTERS AS SHOWN TO BE LOCATED ON ANY EXTERIOR SURFACE.
 - THIS PRODUCT IS NOT CATEGORIZED AS AN APPEARANCE ITEM, MINOR IMPERFECTIONS INCLUDING, BUT NOT LIMITED TO, FLOW MARKS, COLOR BLEMISHES, GATE VESTIGES, AND SOFT FLASH THAT DO NOT AFFECT THE FIT, FORM, OR FUNCTION OF THE PART ARE PERMISSIBLE PER NAP 4.10-18.
 - (2,3)X(10,11) DELPHI CORPORATE BRAND TO BE LOCATED ON ANY EXTERIOR SURFACE, PREFERABLY VISIBLE AT FINAL ASSEMBLY. OPTIONAL CONSTRUCTION FOR EXISTING TOOLING MAY BE "PED".
 - FOR APPLICATION DATA SEE THE INDIVIDUAL APPLICATION DRAWINGS.
 - CAUTION: DO NOT ATTEMPT TO COPY THIS DRAWING WHEN DESIGNING A MATING PART TO A WEATHER PACK CONNECTOR. PLEASE REQUEST THE LATEST COPY OF DRAWING NUMBER 12020084 FROM THE PACKARD ELECTRIC DIVISION.

PART NO	REV	N/P	STATUS	MATERIAL SPECIFICATION AND COLOR	APPLICATION	VOL	CM²
12176672	A10	-	-	POLYAMIDE COMPOUND GRAY	IN-LINE	5.621	
12146103	A10	-	OBSELETE	POLYAMIDE COMPOUND NATURAL	IN-LINE	5.621	
12010973	F13	-	-	POLYAMIDE COMPOUND BLACK	IN-LINE	5.621	

PART DRAWING	
DATE	DATE
VOLUME (SHEET)	DISTR CODE
SEE CHART	D
UNLESS OTHERWISE SPECIFIED	
THIS DRAWING IS IN CONFORMANCE WITH THE 11.428-1994 AS SPECIFIED IN THE DRAWING. DIMENSIONS ARE UNLESS OTHERWISE SPECIFIED IN MILLIMETERS.	
ALL DIMENSIONS ARE IN MILLIMETERS	
SEE CHART	
THIRD ANGLE PROJECTION	DO NOT SCALE
USE MATH DATA	

DELPHI
DELPHI PACKARD ELECTRICAL/ELECTRONIC ARCHITECTURE
WARREN, OH

DR	DATE
WFOV E. VAZQUEZ	18JAN01
WFOV E. VAZQUEZ	18JAN01
WFOV J. ALVAREZ	18JAN01

SUBSTANCES OF CONCERN AND RESTRICTED CONTENT PER DELPHI 12049261

SEE CHART

DRAWING TITLE
TAXI CONN M W/P SHD SLD

DRAWING NUMBER
12146288

SHEET 11 OF 11

PROCESS SENSITIVE DIMENSION	MINIMUM INSURED IN-LINE & THROUGH DIMENSIONS	MINIMUM THROUGH DIMENSIONS	MINIMUM THROUGH DIMENSIONS	MINIMUM THROUGH DIMENSIONS
12	10	10	10	10
15	15	15	15	15
20	20	20	20	20
25	25	25	25	25
30	30	30	30	30
35	35	35	35	35
40	40	40	40	40
45	45	45	45	45
50	50	50	50	50
55	55	55	55	55
60	60	60	60	60
65	65	65	65	65
70	70	70	70	70
75	75	75	75	75
80	80	80	80	80
85	85	85	85	85
90	90	90	90	90
95	95	95	95	95
100	100	100	100	100