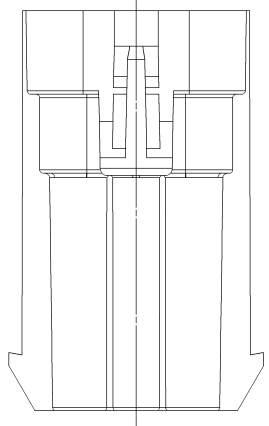
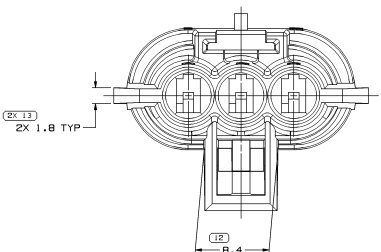
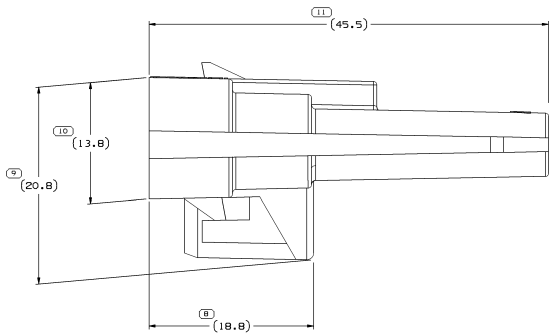
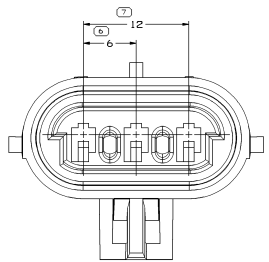
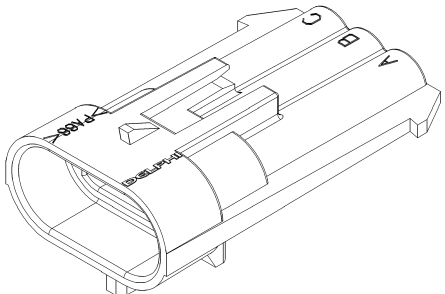
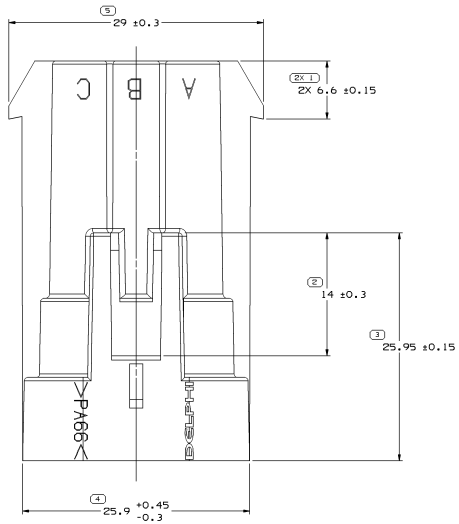


SYMBOL DEFINITION		MISSING SYMBOLS	
A DIMENSION WITHOUT AN INSPECTION REPORT SYMBOL (□) DOES NOT REQUIRE INSPECTION. IT MAY BE CONTROLLED ON THE INDIVIDUAL COMPONENT DRAWING.	TOTAL NO. OF INSPECTIONS REQUIRED	NO. MISSING SYMBOL NUMBER	DATE
	15		19F06 R B2
	LAST NO. USED		13606 R B3
	13		090606 R B4

DATE				REVISION HISTORY				AUTH	DR	APP/APP'D
19F06	R	B2	-	CLEARED REV COLUMN, UPDATED TO LATEST UO STANDARD, MAT'L SPEC WAS R0071754 AND ADDED NOTES 6 & 7				277186	JTZ	R0000
13606	R	B3	-	UPDATED POM ATTRIBUTES				284433	MM	MM
090606	R	B4	-	REVISED MODEL TO MATCH PART				287497	RH	RH



- NOTES
- UNLESS OTHERWISE SPECIFIED AND/OR INDICATED:
DIMENSIONS ARE TO FACE OF VIEW SHOWN AND AUTOMATICALLY ROUNDED BY COMPUTER FOR INSPECTION (SEE MATH MODEL FOR PRECISE DIMENSIONS). FOR ALL OTHER DIMENSIONS NOT SHOWN BUT REQUIRED FOR TOOL BUILD, SEE MATH MODEL FOR PRECISE TOOL PATH DATA.
 - MAXIMUM CABLE DIAMETER FOR THIS PART IS 2.8 MM.
 - SEALING CODE 3 - DESIGN WILL PASS SALT FOG AND IMMERSION TEST AFTER CONDITIONING AS SPECIFIED IN ESA-644 (WEATHER-PACK), ESA-710 (METRI-PACK), ESA-690 (UNDERHOOD MICRO-PACK), C-4006 (WORLD CONNECTOR), ETC. - WHEN MATED TO MATING PART OR EQUIVALENT
 - THIS PART IS NOT CONTROLLED FOR AUTOMATIC FEEDING.
 - THIS PART ACCEPTS THE FOLLOWING COMPONENTS OR EQUIVALENT: CONNECTOR TO MATE WITH 12110293 CONNECTOR AND SEAL ASSEMBLY CAVITIES TO ACCEPT 12045773 TERMINAL SECONDARY TERMINAL LOCK 12052845 CABLE SEAL 12048086 CONNECTOR POSITION ASSURANCE T-LOCK 12020833 WHEN MATED WITH 12110293 CONNECTOR AND SEAL ASM
 - MATERIAL RECYCLING CODE PER ISO 11469. (1,5)X(10,1) CHARACTERS AS SHOWN TO BE LOCATED ON ANY EXTERIOR SURFACE.
 - (10,9)X(10,1) DELPHI CORPORATE BRAND TO BE LOCATED ON ANY EXTERIOR SURFACE, PREFERABLY VISIBLE AT FINAL ASSEMBLY. OPTIONAL CONSTRUCTION FOR EXISTING TOOLING MAY BE "PED".

PART DRAWING	
DATE	12052844
QUANTITY	4,970
UNLESS OTHERWISE SPECIFIED	
THIS DRAWING IS IN CONFORMANCE WITH THE 1975-1994 ASME Y14.5 STANDARD FOR DIMENSIONING AND TOLERANCING UNLESS OTHERWISE SPECIFIED	
ALL DIMENSIONS ARE IN MILLIMETERS	
REFERENCE	12052844
THIRD ANGLE PROJECTION	DO NOT SCALE
USE MATR	UNLESS OTHERWISE SPECIFIED

DELPHI	
DELPHI PASSENGER ELECTRIC SYSTEMS	
REVISED 04	
DATE	
DR	
DR	W. H. POEHLER 13F02
DR	HENRY HOVE 12F02
DR	W. K. CHIN 12F02
DR	
DR	
SUBSTANCES OF CONCERN AND RECYCLED MATERIALS ARE CONTROLLED PER DELPHI (104990)	
RECYCLED MATERIALS ARE CONTROLLED PER DELPHI (104990)	
UNLESS OTHERWISE SPECIFIED	
ALL DIMENSIONS ARE IN MILLIMETERS	
DRAWING TITLE	
CONN 3 M W/P 150 BLK SLD	
DRAWING NUMBER	
12129615	
DATE	SCALE
NO	5:11
OF	1
OF	1
OF	1
OF	1