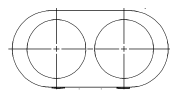
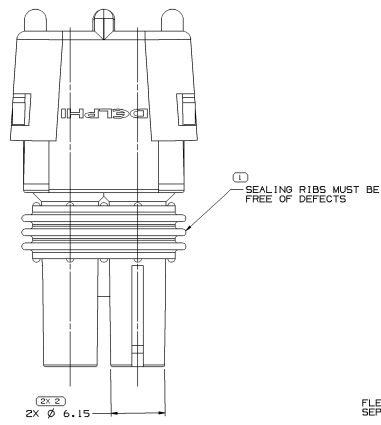
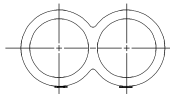


SYMBOL DEFINITION		MISSING SYMBOLS		REV STATUS		ZONE		REVISION HISTORY		AUTH	DR	APP'D
A DIMENSION WITHOUT AN INSPECTION REPORT SYMBOL ( ) DOES NOT REQUIRE INSPECTION. IT MAY BE CONTROLLED ON THE INDIVIDUAL COMPONENT DRAWING.	TOTAL NO OF INSPECTIONS REQUIRED	NO MISSING SYMBOL NUMBER	11	DATE	DESCRIPTION					214555	OPS/PROJECT	
	LAST NO. USED		10	28M07	R 01	-	-			CLEARED REV COLUMN: ALL PARTS - REDRAWN TO PD		
					R 02	-	-			ALL PARTS - REVISED NOTE #5 & MODEL ASM	481351	JS JS WTM

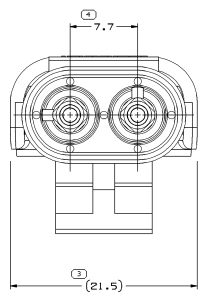
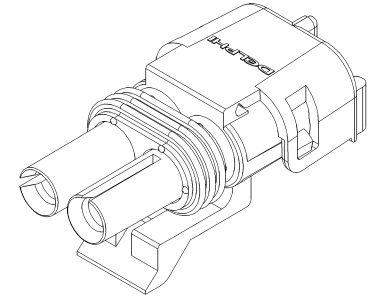


STANDARD CONSTRUCTION

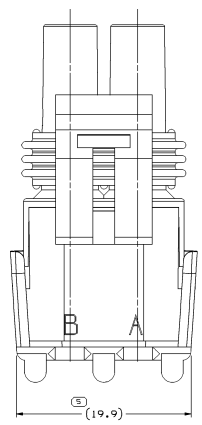
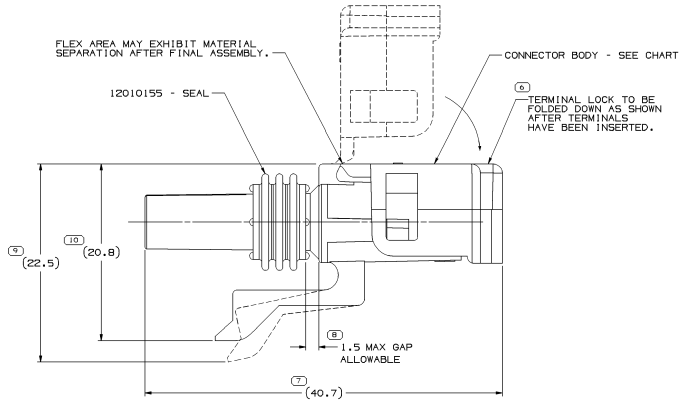


OPTIONAL CONSTRUCTION

CABLE END VIEW OF CONNECTOR BODY



INDEX CODE  
- 32 -  
(ALSO SEE HANDBOOK)



- NOTES
- UNLESS OTHERWISE SPECIFIED AND/OR INDICATED:  
DIMENSIONS ARE TO FACE OF VIEW SHOWN AND AUTOMATICALLY ROUNDED BY COMPUTER FOR INSPECTION (SEE MATH MODEL FOR PRECISE DIMENSIONS). FOR ALL OTHER DIMENSIONS NOT SHOWN BUT REQUIRED FOR TOOL BUILD, SEE MATH MODEL FOR PRECISE TOOL PATH DATA.
  - REFERENCE MATING COMPONENTS OR EQUIVALENT:  
MATING CONNECTOR - SEE CHART
  - THIS PART ACCEPTS THE FOLLOWING COMPONENTS OR EQUIVALENT:  
FEMALE TERMINAL 12089188 FOR IN-LINE APPLICATIONS  
MALE TERMINAL 12089040 FOR PANEL MOUNT APPLICATIONS  
CABLE SEAL 12015323
  - WHEN PARTS ARE SHIPPED THEY MUST BE PACKED IN PLASTIC BAGS OR SHIPPING CONTAINERS MUST BE LINED WITH PLASTIC LINERS. BAGS OR LINERS MUST BE SEALED TO AVOID FOREIGN MATTER.
  - SEALING CODE 3 - DESIGN WILL PASS SALT FOG AND IMMERSION TEST AFTER CONDITIONING AS SPECIFIED IN ESA-644 (WEATHER-PACK), WHEN MATED TO MATING PART OR EQUIVALENT
  - WHEN DESIGNING A PART TO MATE TO THIS WEATHER PACK CONNECTOR, REQUEST THE LAST COPY OF DRAWING NUMBER 12020084 FROM THE PACKARD ELECTRIC DIVISION.

ASSEMBLY PART NO	REV N/P	STATUS	CONNECTOR BODY	STANDARD DESCRIPTION	APPLICATION	TERMINAL/GENDER	MATING PART
12103784	A3	-	12103782	ASM CONN 2F W/P TWR	IN-LINE	12089188/FEMALE	1203M074
12015378	A3	-	12010810	ASM CONN 2M W/P TWR	DEVICE	12089040/MALE	DEVICE

DIMENSIONAL SCALE (MM)	THIRD ANGLE PROJECTION	DO NOT SCALE	USE MATH
1:1			

**DELPHI**  
DELPHI PACKARD ELECTRICAL/ELECTRONIC ARCHITECTURE  
REVISED 08

DATE: \_\_\_\_\_  
DR: GERALD CHAPMAN  
APP'D: GERALD CHAPMAN  
CHECKED: ALEX HERMANN

21N090  
21N090  
21N090

SUBSTANCES OF COPPER AND RECYCLED CONTENT PER DELPHI (120495)

SEE DRAWING

DRAWING TITLE: TAXI ASM CONN W/P TWR SLD

DRAWING NUMBER: 12103785

SHEET NO: 1 OF 1