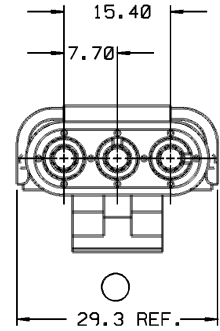
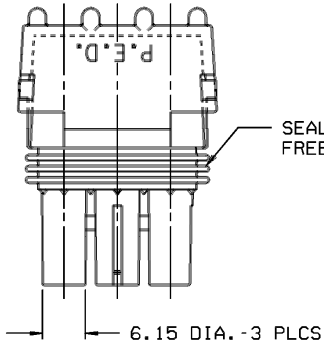


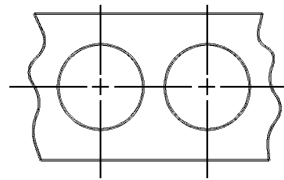
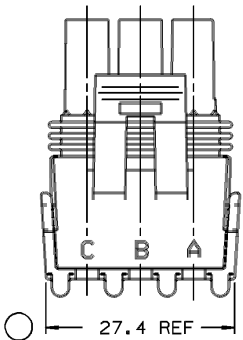
D

THIS DRAWING AND DESIGN HEREON CONSTITUTES A PROPRIETARY DESIGN OF PACKARD ELECTRIC DIVISION AND IS NOT TO BE DUPLICATED OR REPRODUCED WITHOUT AUTHORITY OF PACKARD ELECTRIC DIVISION.

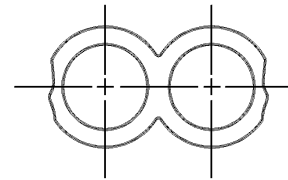
DO NOT SCALE



INDEX CODE
-430-
(ALSO SEE HANDBOOK)

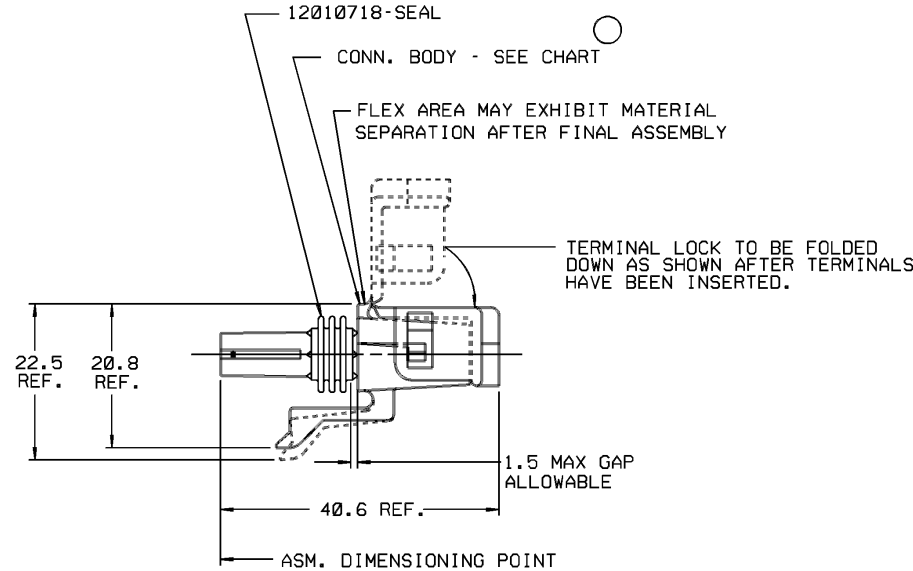


STANDARD CONSTRUCTION



OPTIONAL CONSTRUCTION

CABLE END VIEW OF CONN. BODY



- NOTES—
1. USE FEMALE TERMINAL 12089188 OR EQUIVALENT FOR "IN LINE" APPLICATIONS. USE MALE TERMINAL 12089040 OR EQUIVALENT FOR PANEL MOUNT APPLICATIONS.
 2. USE CABLE SEAL 12015323 OR EQUIVALENT.
 3. MATING PART - SEE CHART.
 4. WHEN PARTS ARE SHIPPED THEY MUST BE PACKED IN PLASTIC BAGS OR SHIPPING CONTAINERS MUST BE LINED WITH PLASTIC LINERS. BAGS OR LINERS MUST BE SEALED TO AVOID ENTRY OF FOREIGN MATTER.
 5. SEALING CODE 3.
 6. WHEN DESIGNING A PART TO MATE TO THIS WEATHER PACK CONNECTOR, REQUEST THE LATEST COPY OF DRAWING NUMBER 12020084 FROM THE PACKARD ELECTRIC DIVISION.

DATE	SYM	REVISION RECORD	AUTHORITY	DR	CK
230C90		P/N'S 12015796 & 12041332 REDRAWN FROM SEPARATE 'C' SIZE SHEETS AND REVISED - NO REVISION UPDATE REQ'D	137269	FDS	FDS
07NO90		12103771 - RELEASE TO REV 'A'	900005	GC	GC
13JUN91		ALL PARTS - REVISED NOTE *3; ADDED MATING PARTS TO CHART, CONN. BODY - SEE CHART WAS 12015786 CONN. BODY - 29.3 REF. WAS 29.0 REF., 40.6 REF. WAS 40.3 REF. AND 27.4 REF. WAS 27.40 REF. - NO REV UPDATE REQ'D	142373	GC	GC

PART NO.
1210 3632

PACKARD ELECTRIC DIVISION
GENERAL MOTORS CORPORATION
WARREN, OHIO

197A
4471A(2)
43A
4274A
4300A

ASM PART NUMBER	REV	STATUS	CONNECTOR BODY	STANDARD DESCRIPTION	APPLICATION	REF. TERM/GENDER	MATING PART
12103771	A		12103770	ASM CONN 3M W/P TWR	DEVICE	12089040/M	DEVICE
12041332	A		12041326	ASM CONN 3F W/P TWR	IN-LINE	12089188/F	12015442 PLUS 12015174 INSERT
12015796	A		12015786	ASM CONN 3F W/P TWR	IN-LINE	12089188/F	12015442 PLUS 12015174 INSERT

PED / INEGRAPH MICROSTATION		FILE SPEC: ***** DN#SPECIFICATION***** *****TIME*****
THIRD ANGLE PROJECTION		METRIC DIMENSIONS ARE IN MILLIMETERS UNLESS OTHERWISE SPECIFIED.
CODE NO. 6900	TOLERANCE UNLESS OTHERWISE SPECIFIED DECIMAL: ANGULAR ± 2° ONE PLACE ± 0.3 TWO PLACE ± 0.15	
Q.C. -C-5110	SCALE NONE	DR. F. DAVID SILVIO 230C90
DWG. DATE 230C90	APPR. ALEX R HERMANN DATE 250C90	
EST. NO.	APPR.	DATE
REFERENCE NO.	MATERIAL SPEC. SEE DWG.	
NAME ASM CONN 3 W/P TWR		
PART NO. 1210 3632	SIZE C	