

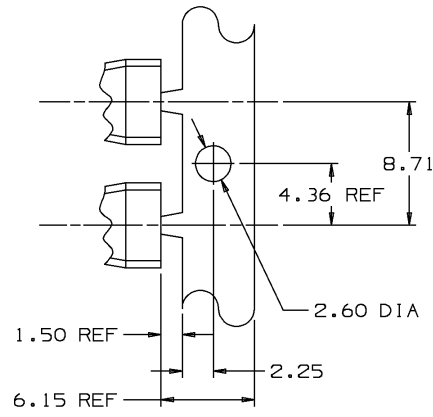
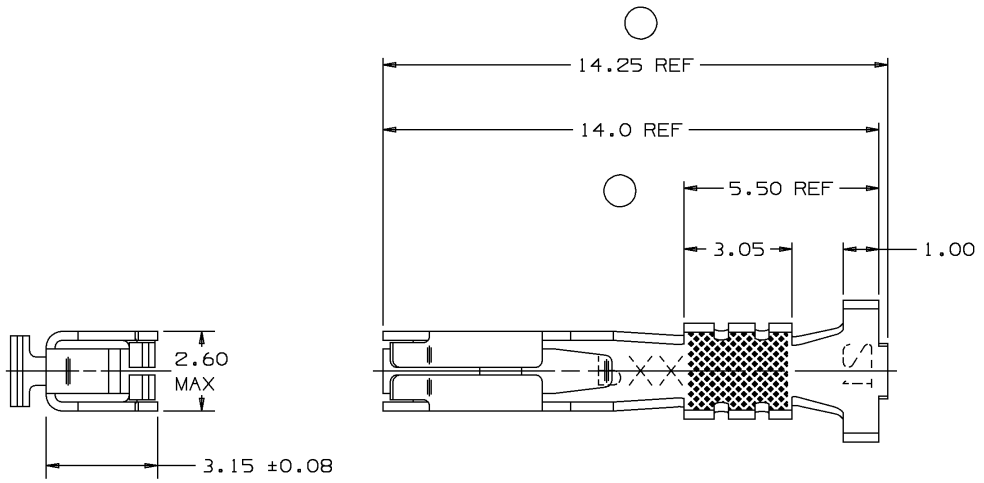
D THIS DRAWING AND DESIGN HEREON CONSTITUTES A PROPRIETARY DESIGN OF PACKARD ELECTRIC DIVISION AND IS NOT TO BE DUPLICATED OR REPRODUCED WITHOUT AUTHORITY OF PACKARD ELECTRIC DIVISION

DO NOT SCALE

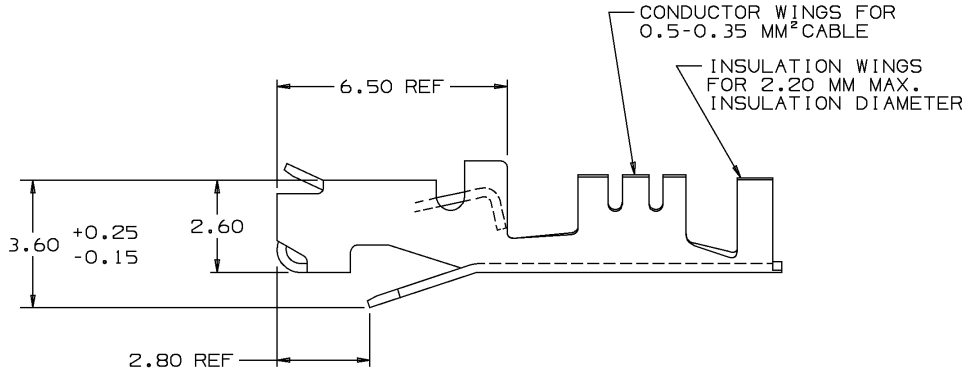
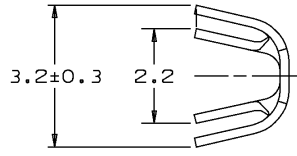
PART NO
1208 9290

DATE	SYM	REVISION RECORD	AUTH	DR	CK
24SE92		REDRAWN AND UPDATED TO LATEST STANDARDS			
		REV LEVEL REMAINS			
		AT "C"	920007	JK	JK
24FE93		REDRAWN AND REVISED			
		REV LEVEL REMAINS			
		AT "C"	154464	DE	DE
07AP93		REVISED GRAPHICS -			
		REV LEVEL REMAINS			
		AT "C"	155245	DE	DE
09ND94		DRAWING REVISED PER CUSTOMER REQUEST;			
		REV LEVEL REMAINS			
		AT "C"	164566	JVM	SMP
25MR96	D	REVISED	171061	JGS	JGS
21JN96		REVISED - REV LEVEL REMAINS AT "D"	173815	MRG	RPC

PACKARD ELECTRIC DIVISION
GENERAL MOTORS CORPORATION
WARREN, OHIO



CARRIER STRIP
SCALE 4:1



- NOTES** — 1. UNLESS OTHERWISE SPECIFIED AND/OR INDICATED: DIMENSIONS ARE TO FACE OF VIEW SHOWN AND AUTOMATICALLY ROUNDED BY COMPUTER FOR INSPECTION. (SEE MATH MODEL FOR PRECISE DIMENSION)
2. DIMENSIONS MARKED "REF" ARE FOR REFERENCE ONLY AND NO TOLERANCE LIMITS ARE ESTABLISHED.
3. ENGAGE : 3-10N
DEENGAGE : 1.5-8N
4. REFERENCE PACKARD GAGE # G-8261

PART NO
1208 9290

Unigraphics II METRIC
DIMENSIONS ARE IN MILLIMETERS UNLESS OTHERWISE SPECIFIED

THIRD ANGLE PROJECTION

CODE NO: 6900 OC
6901

DWG DATE: 30SE88

SCALE: NONE

REFERENCE NO: SHT #1
12020717 "AO" SIZE

MATERIAL SPEC: 0.254 THK SILICON BRONZE - TIN PLATED

NAME: TERM F M/P 150 SER P25

PART NUMBER: 1208 9290
OUTLINE DRAWING

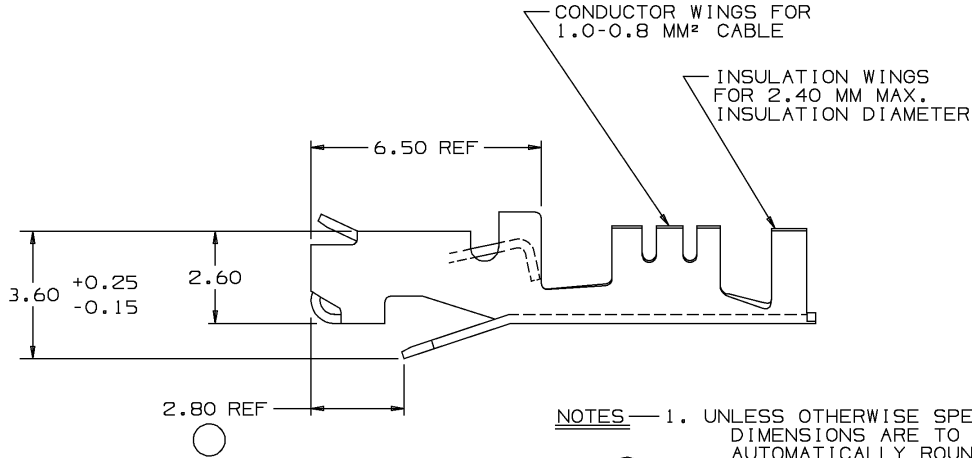
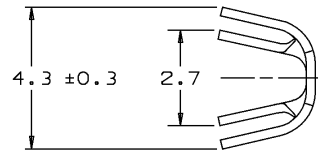
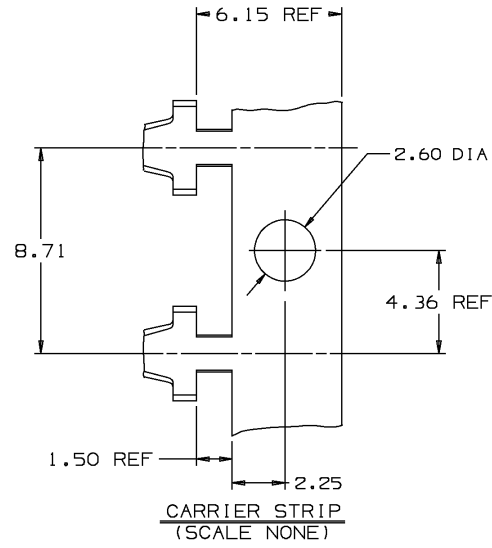
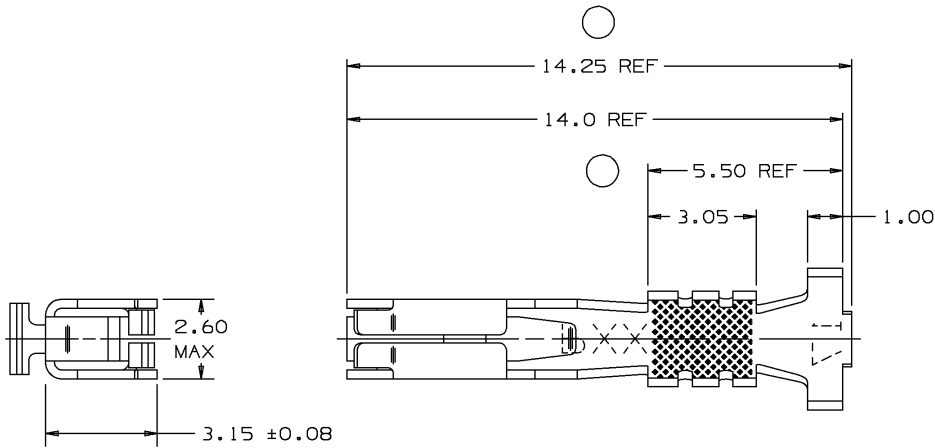
SIZE: A2

THIS DRAWING AND DESIGN HEREON CONSTITUTES A PROPRIETARY DESIGN OF PACKARD ELECTRIC DIVISION AND IS NOT TO BE DUPLICATED OR REPRODUCED WITHOUT AUTHORITY OF PACKARD ELECTRIC DIVISION

DO NOT SCALE

PACKARD ELECTRIC DIVISION
GENERAL MOTORS CORPORATION
WARREN, OHIO

PART NO
1210 3881



- NOTES**
- UNLESS OTHERWISE SPECIFIED AND/OR INDICATED: DIMENSIONS ARE TO FACE OF VIEW SHOWN AND AUTOMATICALLY ROUNDED BY COMPUTER FOR INSPECTION. (SEE MATH MODEL FOR PRECISE DIMENSION)
 - DIMENSIONS MARKED "REF" ARE FOR REFERENCE ONLY AND NO TOLERANCE LIMITS ARE ESTABLISHED.
 - ENGAGE : 3-10N
DISENGAGE : 1.5-8N
 - REFERENCE PACKARD GAGE # G-8261

DATE	SYM	REVISION RECORD	AUTH	DR	CK
24SE92		REDRAWN AND UPDATED TO LATEST STANDARDS			
		REV LEVEL REMAINS			
		AT "A"	920007	JK	JC
24FE93		REDRAWN TO "C" SIZE			
		REV LEVEL REMAINS			
		AT "A"	154464	DE	DE
05AU94		ADDED 4.3±0.3 DIM- NO REV UPDATE	161276	TW	TW
09N094		DRAWING REVISED PER CUSTOMER REQUEST			
		REV LEVEL REMAINS			
		AT "A"	164566	JVMSMP	
25MR96	B	REVISED	171061	JGS	JGS
21JN96		REVISED - REV LEVEL REMAINS AT "B"	173815	MGRPC	

PART NO
1210 3881

Unigraphics II METRIC
DIMENSIONS ARE IN MILLIMETERS UNLESS OTHERWISE SPECIFIED

THIRD ANGLE PROJECTION

TOLERANCE UNLESS OTHERWISE SPECIFIED
DECIMAL: ANGULAR: ± 30

ONE PLACE ± 0.2
TWO PLACE ± 0.10

CODE NO: 6900 DC
6901

DES HENRY HOKE 22MY91

DWG DATE 22MY91 DR HENRY HOKE 22MY91

SCALE NONE CK DAVID BECK 06JN91

REFERENCE NO SHT #1 APPR
12020717 "A0" SIZE VOL CM³

MATERIAL SPEC
0.254 THK SILICON BRONZE - TIN PLATED

NAME
TERM F M/P 150 SER P25

PART NUMBER
1210 3881 SIZE
OUTLINE DRAWING A2

101A
197A