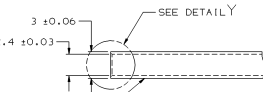
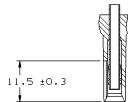


DETAIL Y
SCALE 10:1

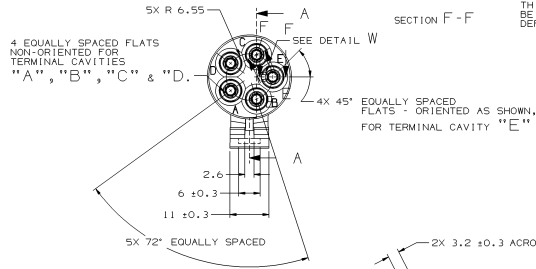


PREFERRED CONSTRUCTION IS A 2.4 ± 0.03 ID (AFTER PLATING) SEAMLESS TUBE, TIN PLATED TO A THICKNESS OF 0.00385 ± 0.00125 INSIDE AND OUTSIDE SURFACES.

MATING TERMINAL INFORMATION

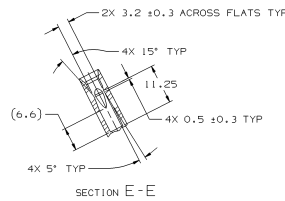


SECTION F-F



FLASH IN INDEX SLOT MUST NOT BRIDGE ACROSS SLOT AND IS NOT ACCEPTABLE EXCEPT IN AREA SHOWN.

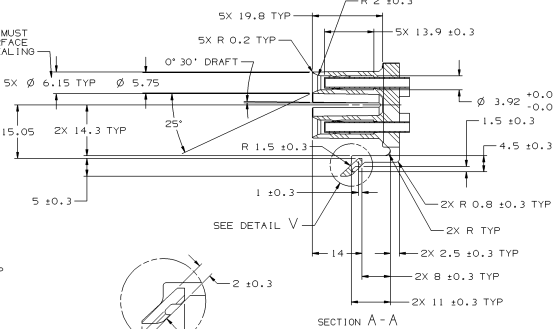
DETAIL W
SCALE 10:1



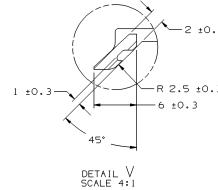
SECTION E-E

MATING CONNECTOR INFORMATION

THIS DIAMETER MUST BE FREE OF SURFACE DEFECTS FOR SEALING



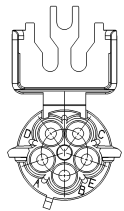
SECTION A-A



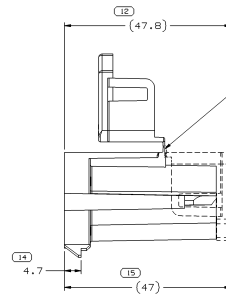
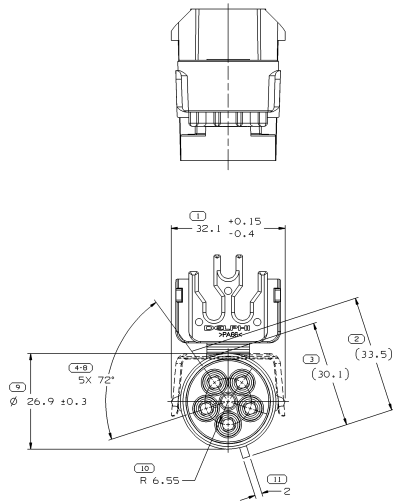
DETAIL V
SCALE 4:1

SYMBOL DEFINITION		MISSING NUMBERS	
A DIMENSION WITHOUT AN INSPECTION REPORT SYMBOL DOES NOT REQUIRE INSPECTION, IT MAY BE CONTROLLED ON AN INDIVIDUAL COMPONENT DRAWING.	TOTAL NO. SYMBOLS ON DRAWING	10	13.
	LAST NO. USED	15	

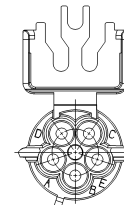
DWD STATUS		ZONE		REVISION HISTORY		AUTH	DR	APPROVAL
DATE	STO	REV	N/P	DRG	NO			
05A002	R	04	-	-	-	CLEARED REV COL; ALL ACTIVE PARTS - ADDED NOTES (2 FLTS); REMOVED DIM AND REVISED MAT'L SPEC	228307	ER/EUR/RC
05A002	R	05	-	-	-	ALL ACTIVE PARTS - REVISED NOTE 2	229031	ER/EUR/RC
20A002	R	06	-	-	-	ALL ACTIVE PARTS - ADDED MATING CONNECTOR INFORMATION	233220	RC/RCH/RC
12A003	R	07	-	-	-	ALL ACTIVE PARTS - REVISED MAT'L SPEC AND NOTE	242400	JVD/JVD/ET
12N003	R	08	-	-	-	ALL ACTIVE PARTS - ADDED SEPARATION NOTE TO HINGE FLEX VIEW	248545	RY/RX/TM



OPTIONAL CONSTRUCTION



FLEX AREA MAY EXHIBIT MATERIAL SEPARATION AFTER FINAL ASSEMBLY.



NOTES

- UNLESS OTHERWISE SPECIFIED AND/OR INDICATED: DIMENSIONS ARE TO FACE OF VIEW SHOWN AND AUTOMATICALLY ROUNDED BY COMPUTER FOR INSPECTION (SEE MATH MODEL FOR PRECISE DIMENSIONS). FOR ALL OTHER DIMENSIONS NOT SHOWN BUT REQUIRED FOR TOOL BUILD, SEE MATH MODEL FOR PRECISE TOOL PATH DATA. LIKE CAVITIES ARE IDENTICAL.
- MATERIAL RECYCLING CODE >PA66< PER SAE J1344. (1.1.3)X(10.1) RAISED CHARACTERS AS SHOWN TO BE LOCATED ON ANY EXTERIOR SURFACE. OPTIONAL CONSTRUCTION TO BE NO MATERIAL RECYCLING CODE.
- (1.1.3)X(10.1) RAISED DELPHI CORPORATE BRAND TO BE LOCATED ON ANY EXTERIOR SURFACE, PREFERABLY VISIBLE AT FINAL ASSEMBLY. OPTIONAL CONSTRUCTION TO BE "RED" OR NO LOGO.
- CAUTION: DO NOT ATTEMPT TO COPY THIS DRAWING WHEN DESIGNING A MATING PART TO A WEATHER PACK CONNECTOR. PLEASE REQUEST THE LATEST COPY OF DRAWING NUMBER 12020064 FROM THE PACKARD ELECTRIC DIVISION.

PART NO	STO	REV	N/P	STATUS	MATERIAL SPECIFICATION AND COLOR	VOL	CM ³
12065158	R	06	AA		M3592012 PA66 HS IM GRA LT	10.972	
12045647	R	B	-	OBSELETE	R0067547 PA6-BLK	10.963	
12045646	R	B	-	OBSELETE	R0065688 PA6-GRN	10.963	
12045645	R	B	-	OBSELETE	R0064438 PA6-YEL	10.963	

PRECISE DIMENSIVE DIMENSION		REFERENCE	
SHOWN ENCLOSED IN ()	INDICATE DIMENSION	THIRD ANGLE PROJECTION	DO NOT SCALE
SHOWN ENCLOSED IN []	INDICATE DIMENSION	USE MATH DATA	

DWG TYPE		PART DRAWING	
SCALE	SEE CHART	STW CODE	D
PLATE COPY	6900		
UNLESS OTHERWISE SPECIFIED			
THIS DOCUMENT IS UNCLASSIFIED UNTIL 11-26-1994			
TOLERANCES UNLESS OTHERWISE SPECIFIED:			
DIMENSIONS UNLESS OTHERWISE SPECIFIED:			
DIMENSIONS UNLESS OTHERWISE SPECIFIED:			
ALL DIMENSIONS ARE IN MILLIMETERS			
DRAWING NAME			
TAXI CONN 5 M W/P SHD N/A			
DRAWING NUMBER			
12045548			
SIZE	SCALE	FRAME NO	SHEET NO
A0	2:1	1	1
NO		OF	DR

DELPHI
DELPHI PACKARD ELECTRIC SYSTEMS
WARREN, MI

DATE

DR

APPROV G. ESTRADA 05A002

APPROV G. WALLACE 12A002

APPROV G. GALLEGOS 17A002

APPROV

SUBMITTERS OF CHANGES AND RETROFIT CONTENT PER DELPHI 1040040

MATERIAL SEE CHART

DRAWING NAME

TAXI CONN 5 M W/P SHD N/A

DRAWING NUMBER

12045548

SIZE A0 SCALE 2:1 FRAME NO 1 SHEET NO 1 OF 1 DR 08