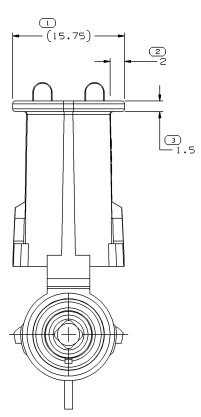
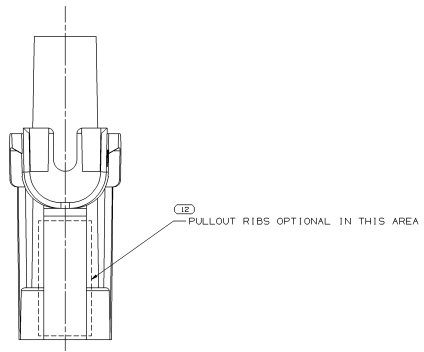
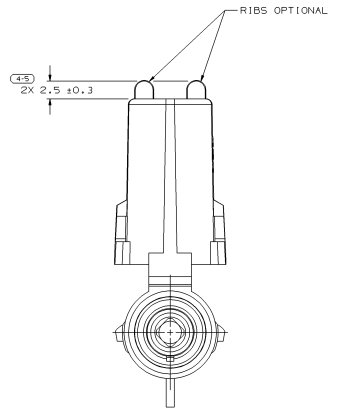


SYMBOL DEFINITION		MISSING NUMBERS		DWG STATUS			ZONE		REVISION HISTORY		AUTH	OR	APPROVAL		
DATE	STG	REV	N/P	DATE	STG	REV	N/P	DATE	STG	REV	N/P	DATE	STG	REV	N/P
12N099	R	01	-	-	-	-	-	-	-	-	-	196952	EDV	DMC	JA
19M101	R	02	-	-	-	-	-	-	-	-	-	209713	DT	OT	RC
28SE01	R	03	-	-	-	-	-	-	-	-	-	213806	DT	OT	RC
28JA04	U	04	-	-	-	-	-	-	-	-	-	250663	LL	ALL	TM
25FE04	R	05	-	-	-	-	-	-	-	-	-	251796	LL	ALL	TM

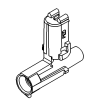
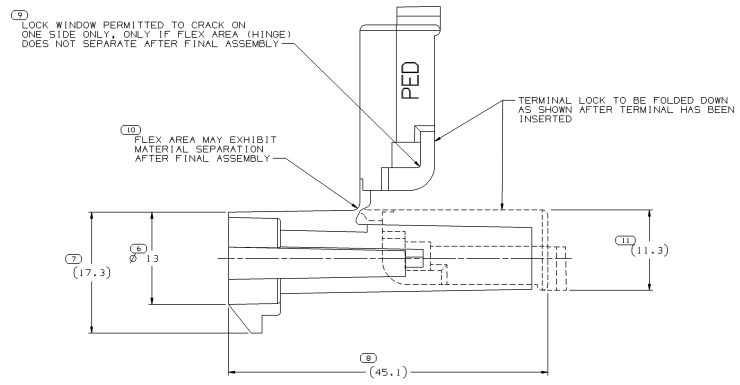


TYPE 102  
SAME AS TYPE 101  
EXCEPT AS SHOWN



INDEX CODE  
(ALSO SEE HANDBOOK)

TYPE 101



- NOTES:
- UNLESS OTHERWISE SPECIFIED AND/OR INDICATED: DIMENSIONS ARE TO FACE OF VIEW SHOWN AND AUTOMATICALLY ROUNDED BY COMPUTER FOR INSPECTION. (SEE MATH MODEL FOR PRECISE DIMENSION). FOR ALL OTHER DIMENSIONS NOT SHOWN BUT REQUIRED FOR TOOL BUILD, SEE MATH MODEL FOR PRECISE TOOL PATH DATA.
  - MATING COMPONENTS OR EQUIVALENT: CONNECTOR 12015781, CABLE SEAL 12015323, TERMINAL 12089040
  - SEALING CODE 3.
  - CAUTION: DO NOT ATTEMPT TO COPY THIS DRAWING WHEN DESIGNING A MATING PART TO A WEATHER PACK CONNECTOR. PLEASE REQUEST THE LATEST COPY OF DRAWING NUMBER 12020064 FROM THE PACKARD ELECTRIC DIVISION.
  - (2.31X(0.11) RAISED DELPHI CORPORATE BRAND TO BE LOCATED ON ANY EXTERIOR SURFACE, PREFERABLY VISIBLE AT FINAL ASSEMBLY. OPTIONAL CONSTRUCTION TO BE "PED" OR NO LOGO.
  - MATERIAL RECYCLING CODE PER ISO 11469. (2.31X(0.11) RAISED CHARACTERS AS SHOWN TO BE LOCATED ON ANY EXTERIOR SURFACE. OPTIONAL CONSTRUCTION TO BE NO MATERIAL RECYCLING CODE.

PART NO	STG	REV	N/P	STATUS	TYPE	MATERIAL SPECIFICATION AND COLOR	APPLICATION	REF	TERMINAL GENDER	PART NUMBER (SI)	ASM MATING PART	VOL CM <sup>3</sup>
12186965	R	A4	-	-	102	M3592001 PA66 HS IM BLK	IN-LINE			12089040/MALE		12015791 3.531
12020893	R	05	AC	-	101	M3592005 PA66 HS IM GRA MD	IN-LINE			12089040/MALE		12077615 3.358
12010996	R	E4	-	-	101	M3592001 PA66 HS IM BLK	IN-LINE			12089040/MALE	12047671	12015791 3.358

DWG TYPE PART DRAWING	
SCALE 1:1	STW CODE
SEE CHART	D
REV 1	6900,6901
UNLESS OTHERWISE SPECIFIED THIS DRAWING IS IN ACCORDANCE WITH THE DELPHI DRAWING STANDARDS. TELEPHONE NO. 484-2000. FAX NO. 484-2001. DELPHI IS AN ISO 9001 REGISTERED COMPANY.	
ALL DIMENSIONS ARE IN MILLIMETERS	
REFERENCE	
THIRD ANGLE PROJECTION	DO NOT SCALE
USE MATH DATA	ISO 9001

**DELPHI**  
DELPHI PACKARD ELECTRIC SYSTEMS  
WARREN, OH

DATE: \_\_\_\_\_  
OR: \_\_\_\_\_  
APPRO: E.L. MUNIZ/SAVIA 30.A.96  
APPRO: G. DIEZ 02A.96  
APPRO: T.A. MADDEN 28.JA.04  
APPRO: \_\_\_\_\_

SUBMITTERS OF CHANGES AND RETROFITTED CONTENT PLS DELPHI 12045001

DRAWING NAME: TAXI CONN W/P SHD

DRAWING NUMBER: 12020814

SIZE: A0 SCALE: 4:1 FRAME NO: 1 OF 1 SHEET NO: 1 OF 1 REV: 05