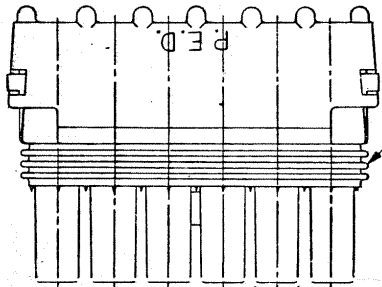
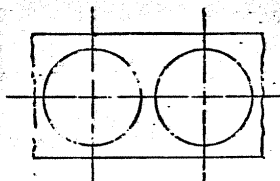


DO NOT SCALE

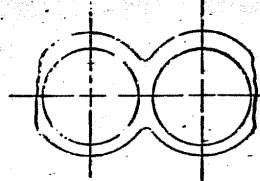
THIS DRAWING AND DESIGN HEREON CONSTITUTE A PROPRIETARY DESIGN OF PACKARD ELECTRIC DIVISION AND IS NOT TO BE DUPLICATED OR REPRODUCED WITHOUT AUTHORITY OF PACKARD ELECTRIC DIVISION.



SEALING RIBS MUST BE FREE OF DEFECTS



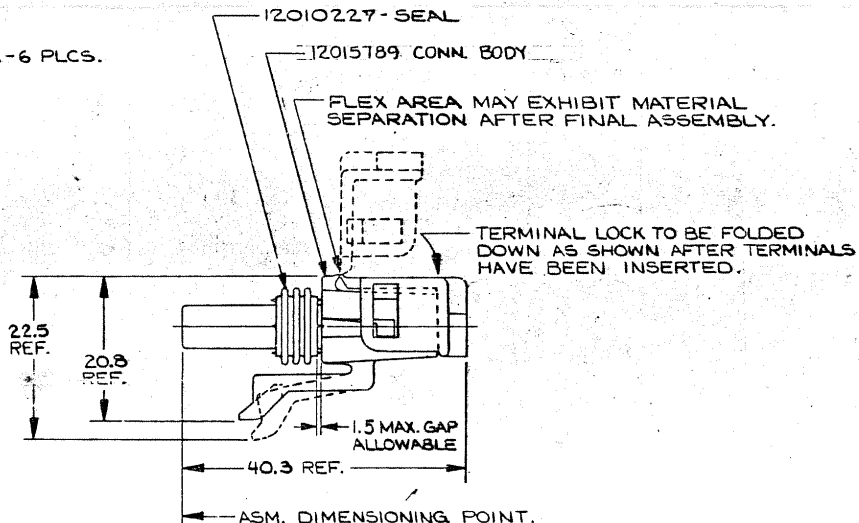
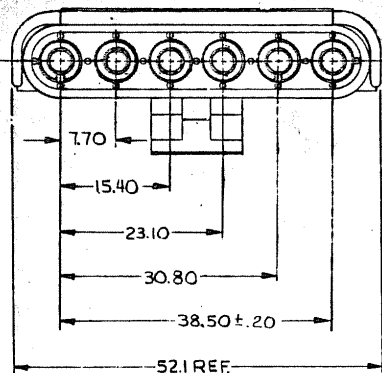
STANDARD CONSTRUCTION



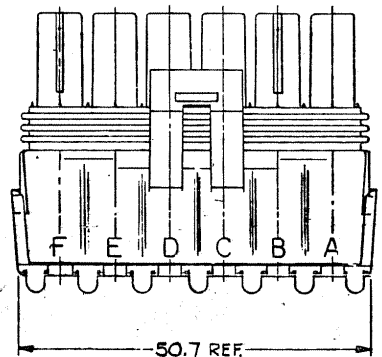
OPTIONAL CONSTRUCTION

CABLE END VIEW OF CONN. BODY

6.15 DIA. - 6 PLCS.



ASM. DIMENSIONING POINT.



- NOTES**
1. USE FEMALE TERMINAL 12034051 OR EQUIVALENT FOR "IN-LINE" APPLICATIONS. USE MALE TERMINAL 12033674 OR EQUIVALENT FOR "PANEL MOUNT" APPLICATIONS.
  2. USE CABLE SEAL 12015323 OR EQUIVALENT.
  3. MATING CONNECTOR - DELCO ELECTRONIC PART #12008965 OR EQUIVALENT.
  4. WHEN PARTS ARE SHIPPED, THEY MUST BE PACKED IN PLASTIC BAGS OR SHIPPING CONTAINERS MUST BE LINED WITH PLASTIC LINERS. BAGS OR LINERS MUST BE SEALED TO AVOID ENTRY OF FOREIGN MATTER.
  5. SEALING CODE 3.

DATE	SYM	REVISION RECORD	AUTH	DR	CK
05MY80	A	RELEASED	80005	JH	JH
09FE81	-	ADDED STANDARD & OPTIONAL CONST. VIEWS	75211	DB	JK
21JA82	-	38.50 ± .20 DIM WAS 38.50 ± .15	79596	DB	RA
19JL83	-	1.5 MAX. WAS 1.0 MAX.	85923	FW	WJ
11SE87	-	REVISED NOTE #1 & ADDED NOTE #5	115623	TR	SP
21OC87	-	REVISED TERMINAL NOTE	116529	JH	JH

PART NO. 1201 5199

**METRIC**  
DIMENSIONS ARE IN MILLIMETRES  
UNLESS OTHERWISE SPECIFIED

P. N. C. CODE	
CODE NO. 6900	TOLERANCE UNLESS OTHERWISE SPECIFIED DECIMAL: ANGULAR: ± .2° TWO PLACE ± .015 ONE PLACE ± 0.3
QC-C-5110	
DWG. DATE 05MY80	SCALE NONE
DR. Gary E. Roberts	DATE 05MY80
EST. NO. 1201	DATE 06MY80
REFERENCE NO. 1201	DATE 07MY80
MATERIAL SPEC.	SEE DWG.
NAME ASM CONN GM/F W/P TWR	
PART NO. 1201 5199	SIZE C

PACKARD ELECTRIC DIVISION  
GENERAL MOTORS CORPORATION  
WARREN, OHIO

7A  
6-V  
1A  
99

01M 1115AN

PACKARD ELECTRIC