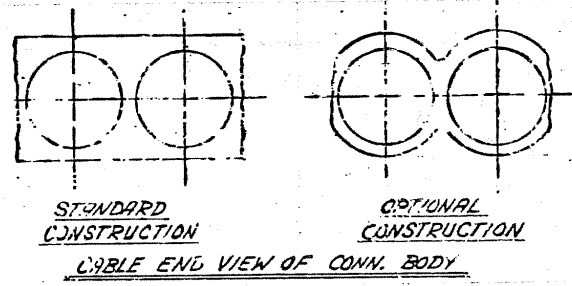
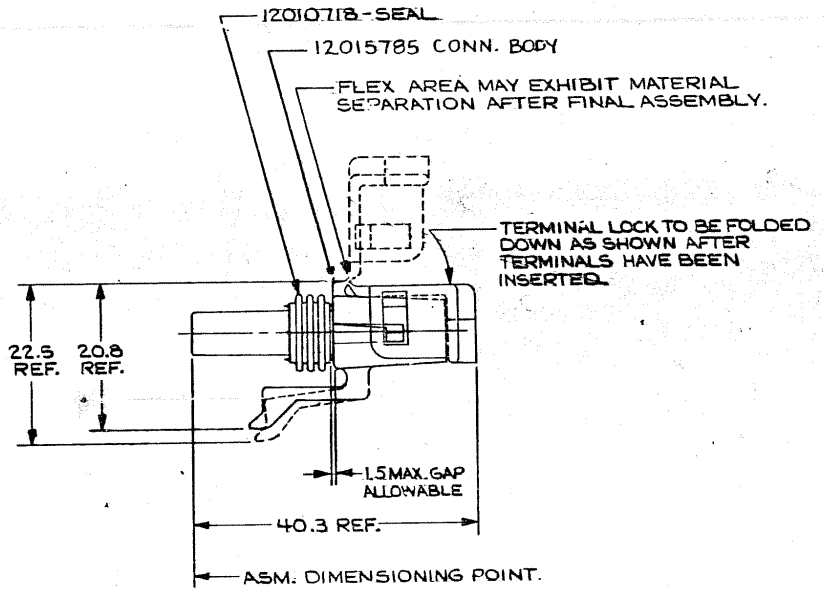
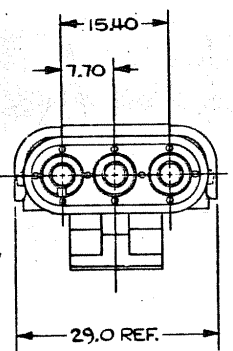
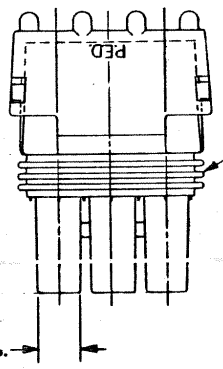


D THIS DRAWING AND DESIGN HEREON COMPUTED & MILITARY DESIGNER OF PACKARD ELECTRIC DIVISION AND IS NOT TO BE DUPLICATED OR REPRODUCED WITHOUT AUTHORITY OF PACKARD ELECTRIC DIVISION.



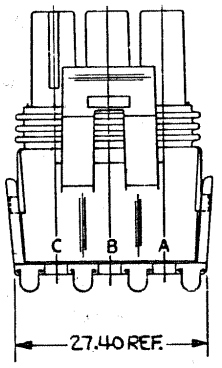
DATE	SYL	REVISION RECORD	AUTH	DR.	CK.
06MY80	A	RELEASED	80005	JH	JW
09FE81	-	ADDED STANDARD & OPTIONAL CONST. VIEWS	75211	DB	JK
9JL83	-	1.5 MAX. WAS 1.0 MAX.	85923	GW	TD
11SE87	-	REVISED NOTE #1 & ADDED NOTE #5	115623	FD	Y
28OC87	-	REVISED NOTE #1+3	116529	PA	DM



PART NO. 1201 5795

**METRIC**  
DIMENSIONS ARE IN MILLIMETRES  
UNLESS OTHERWISE SPECIFIED

- NOTES — 1. USE FEMALE TERMINAL 12034051 OR EQUIVALENT FOR 'IN-LINE' APPLICATIONS. USE MALE TERMINAL 12033674 FOR 'PANEL MOUNT' APPLICATIONS.
2. USE CABLE SEAL 12015323 OR EQUIVALENT.
3. MATING PART - DEVICE
4. WHEN PARTS ARE SHIPPED, THEY MUST BE PACKED IN PLASTIC BAGS OR SHIPPING CONTAINERS MUST BE LINED WITH PLASTIC LINERS. BAGS OR LINERS MUST BE SEALED TO AVOID ENTRY OF FOREIGN MATTER.
5. SEALING CODE 3.



P. N. C. CODE

CODE NO. 6900

QC-C-5110

DWG. DATE 05MY80

SCALE NONE

DR. J. E. Wetters

CE. J. M. ...

EST. NO.

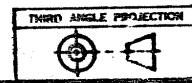
REFERENCE NO.

MATERIAL SPEC. SEE DWG.

NAME ASM CONN 3M/F W/P TWR

PART NO. 1201 5795

SIZE C



400A  
171A

PACKARD ELECTRIC DIVISION  
GENERAL MOTORS CORPORATION  
WARREN, OHIO

84A  
99  
274A