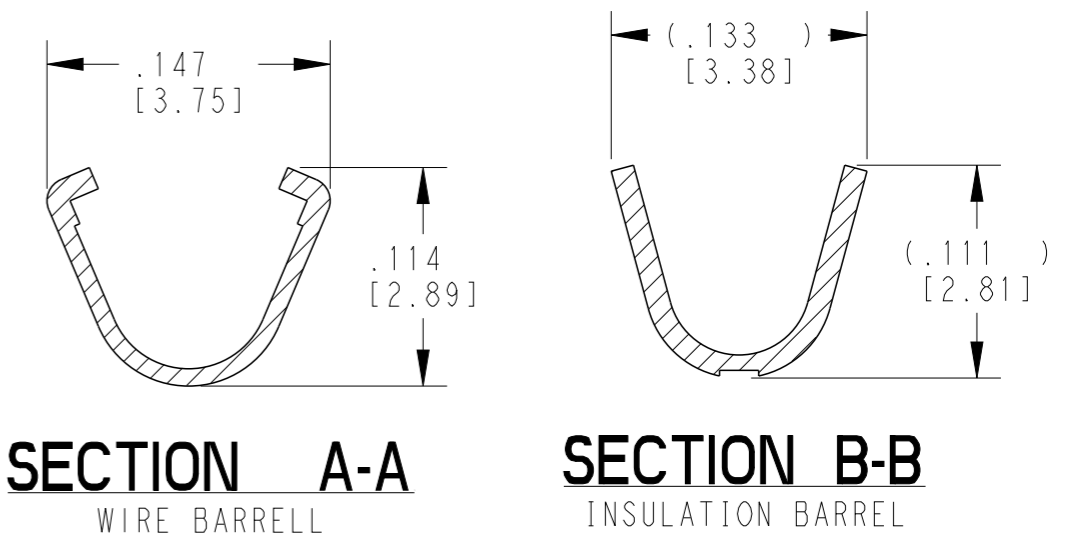
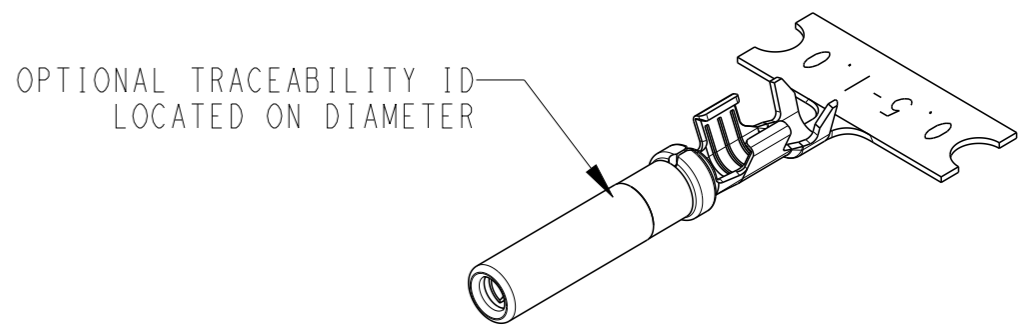
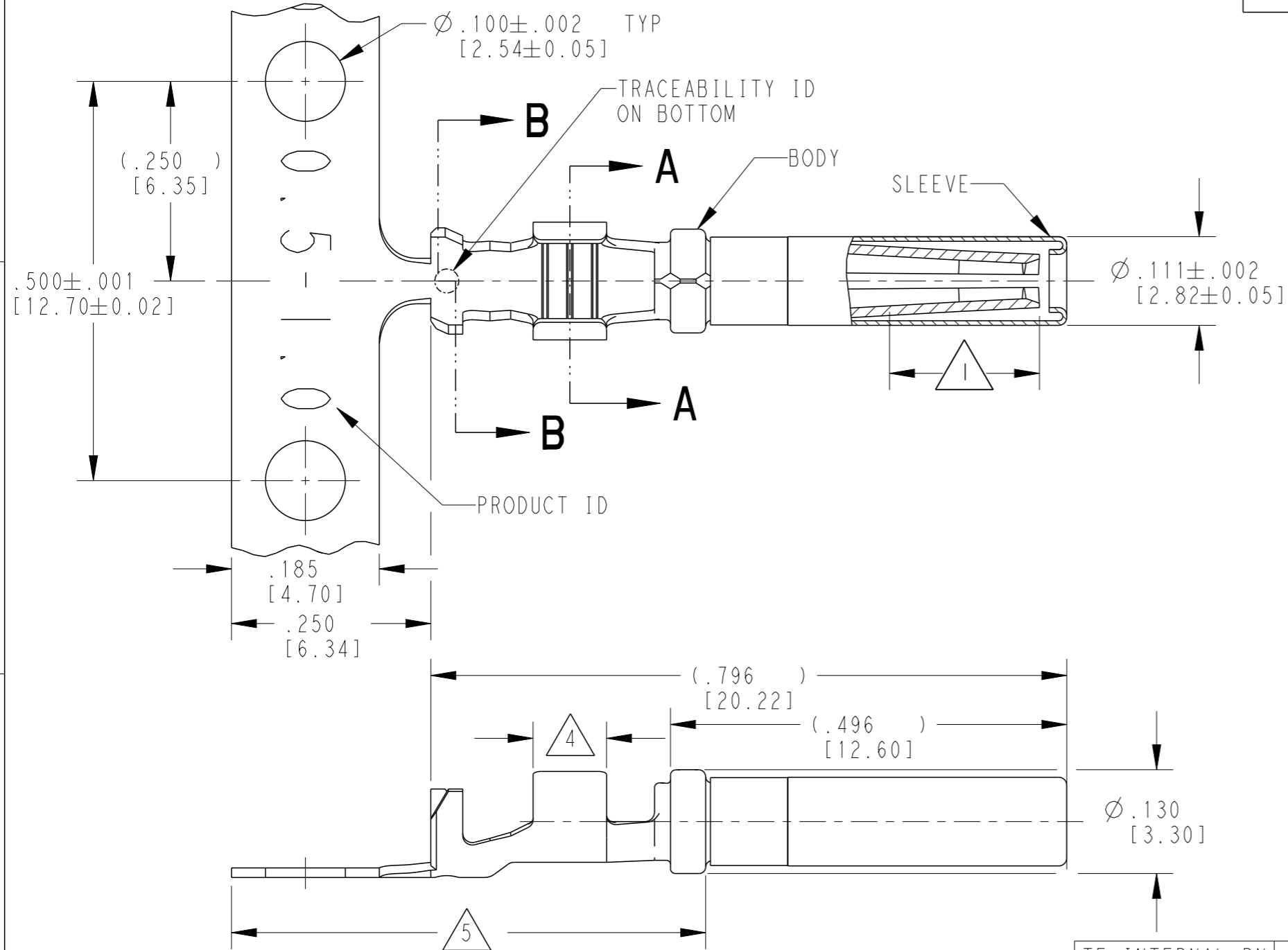


THIS DRAWING IS UNPUBLISHED
 RELEASED FOR PUBLICATION 2020
 © COPYRIGHT 2020 BY - TE CONNECTIVITY ALL RIGHTS RESERVED.

LOC	DIST	REVISIONS			
P	LTR	DESCRIPTION	DATE	DWN	APVD
	F1	REVISED PER PCN E-17-014802	06OCT2017	AJ	DM
	G	REVISED PER PCN E-20-008101	12JUN2020	DM	DM
	G1	REVISED PER PCN-22-157823	12OCT2022	SP	DM



- 5 TIN PLATING MAY BE IN THIS REGION.
- 4 TIN PLATED REGION.
- 3 MATERIAL:
BODY: .012 [0.30] THICK COPPER ALLOY
SLEEVE: STAINLESS STEEL
- 2. WIRE RANGE: 20 AWG TO 16 AWG [0.5-1.0 mm²]
INSULATION RANGE: \varnothing .055-.100 [\varnothing 1.40-2.54]
- 1 44: GOLD PLATED REGION.
88: PALLADIUM-NICKEL PLATED REGION.

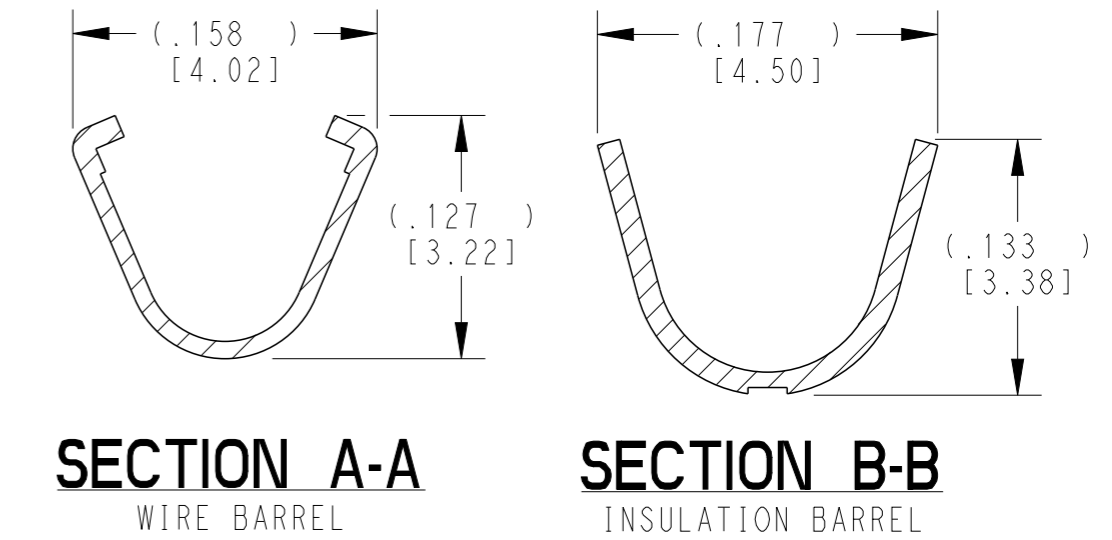
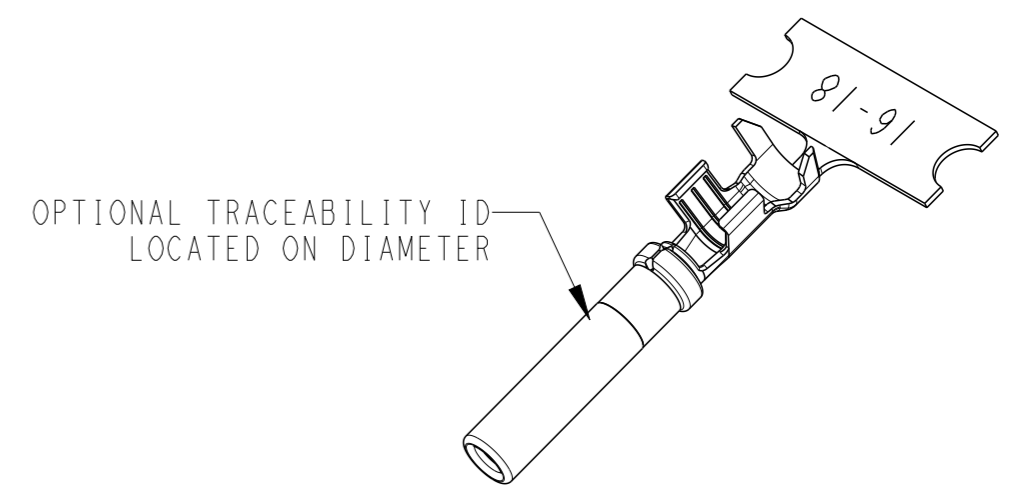
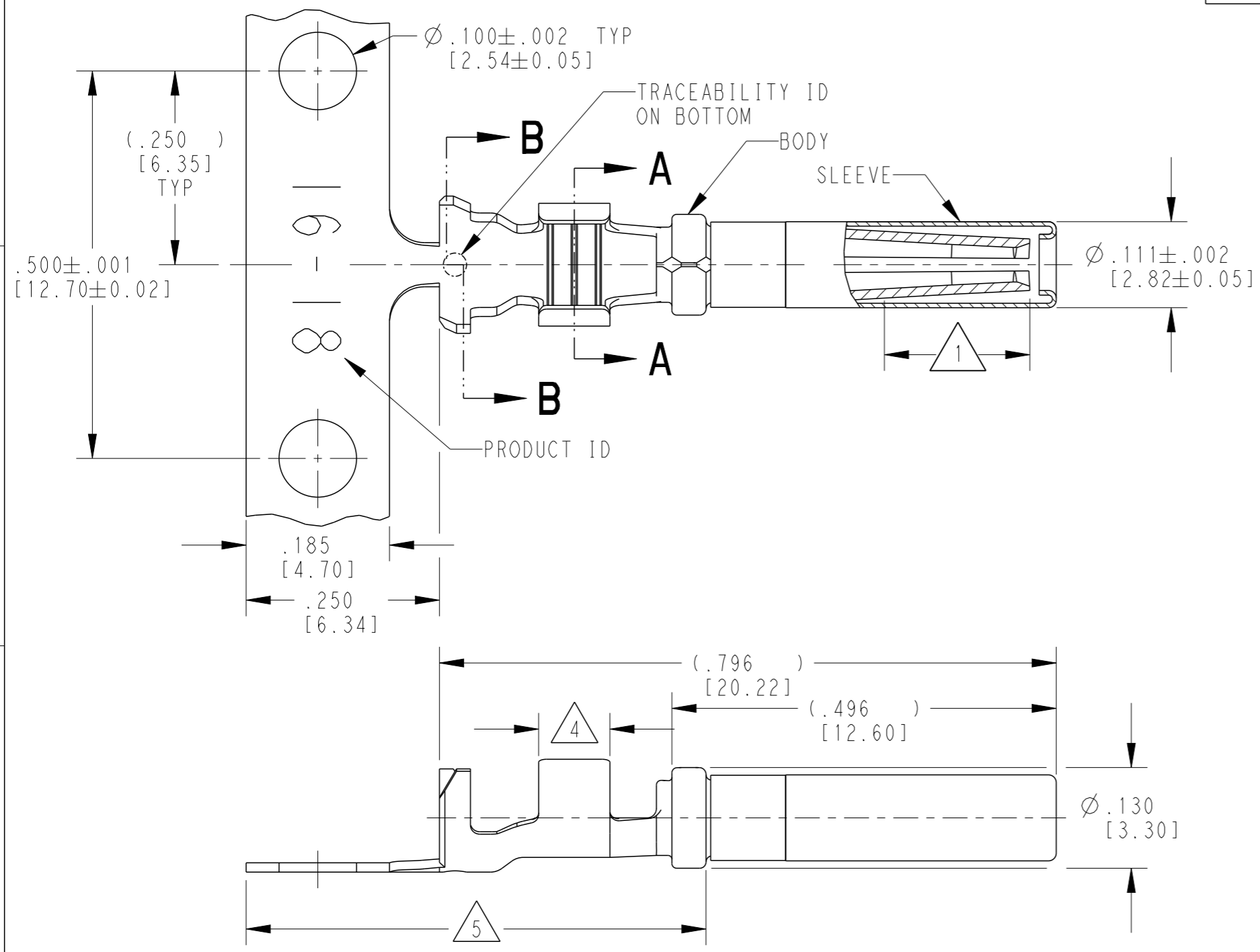
NOTES: UNLESS OTHERWISE SPECIFIED

TE INTERNAL PN	DEUTSCH PN	PLATING
1062-16-0622	1062-16-0622	Ni/Cu overall, Sn/Ni/Cu Wire Barrel
1062-16-0644	1062-16-0644	Selective Au, Ni/Cu overall, Sn/Ni/Cu Wire Barrel
1062-16-0677	1062-16-0677	Sn/Ni/Cu overall
1062-16-0688	1062-16-0688	Selective Pd-Ni, Au/Ni/Cu overall

THIS DRAWING IS A CONTROLLED DOCUMENT.		DWN STEVE PALLUTH 28NOV2000		
DIMENSIONS: INCHES [mm]		CHK VLADIMIR TOMSA 06DEC2000		
TOLERANCES UNLESS OTHERWISE SPECIFIED:		APVD R. REED 08DEC2000	NAME SOCKET, STAMPED AND FORMED SIZE 16 16-20AWG	
0 PLC ± 1 PLC ± 2 PLC ± 3 PLC ±0.025 [0.64] 4 PLC ± ANGLES ±		PRODUCT SPEC 108-151000	RESTRICTED TO	
MATERIAL 3		APPLICATION SPEC 114-151000	SIZE A3	CAGE CODE 4AFU8
FINISH SEE TABLE		WEIGHT 0.42 g	DRAWING NO C=1062-16-06XX	REV G1
		Customer Drawing	SCALE 6:1	SHEET 1 OF 1

THIS DRAWING IS UNPUBLISHED
 RELEASED FOR PUBLICATION 2015
 © COPYRIGHT 1999 BY TE CONNECTIVITY ALL RIGHTS RESERVED.

LOC	DIST	REVISIONS			
P	LTR	DESCRIPTION	DATE	DWN	APVD
	J	REVISED PER ECO-15-007761	28MAY2015	RL	DM
	K	REVISED PER PCN E-20-008101	12JUN2020	DM	DM
	K1	REVISED PER PCN-22-157823	12OCT2022	SP	DM



5 TIN PLATING MAY BE IN THIS REGION.

4 TIN PLATED REGION.

3 MATERIAL:
 BODY: .012 [0.30] THICK COPPER ALLOY
 SLEEVE: STAINLESS STEEL

2. WIRE RANGE: 18 AWG TO 14 AWG [0.75-2.0 mm²]
 INSULATION RANGE: Ø.075-.140 [Ø1.91-3.56]

1 GOLD PLATED REGION.

NOTES: UNLESS OTHERWISE SPECIFIED

TE INTERNAL PN	DEUTSCH PN	PLATING
1062-16-0122	1062-16-0122	Ni/Cu overall, Sn/Ni/Cu Wire Barrel
1062-16-0144	1062-16-0144	Selective Au, Ni/Cu overall, Sn/Ni/Cu Wire Barrel
1062-16-0177	1062-16-0177	Sn/Ni/Cu overall

THIS DRAWING IS A CONTROLLED DOCUMENT.

DWN: M. BLUM 03NOV1999
 CHK: A. ROLINSKI 08DEC2000
 APVD: R. REED 08DEC2000

NAME: SOCKET, STAMPED AND FORMED SIZE 16 14-18AWG

PRODUCT SPEC: 108-151000
 APPLICATION SPEC: 114-151000

WEIGHT: 0.43 g

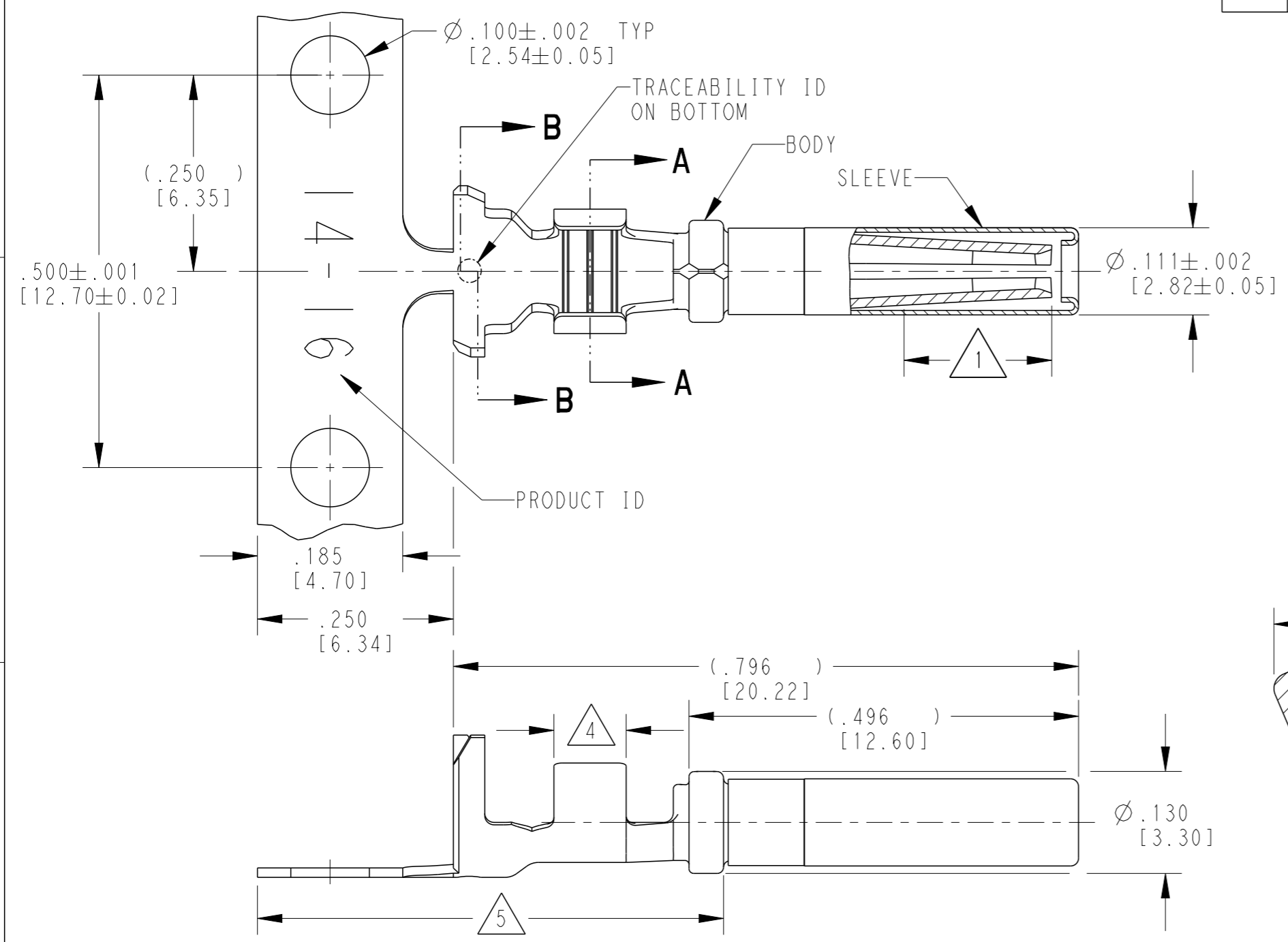
Customer Drawing

SCALE: 6:1 SHEET 1 OF 1 REV K1

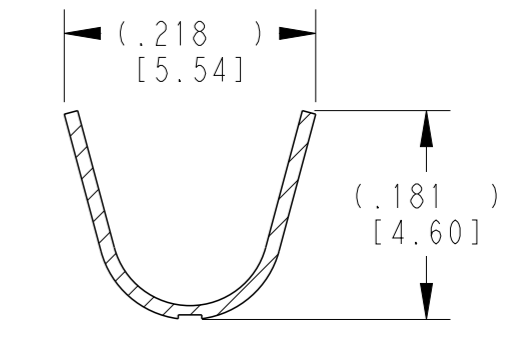
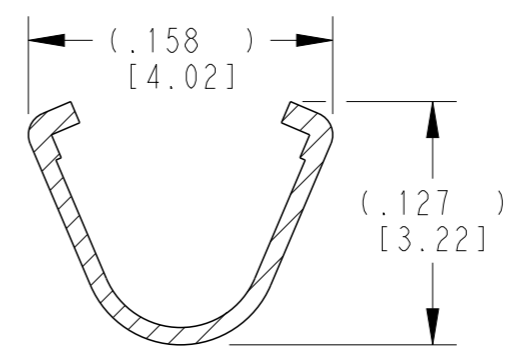
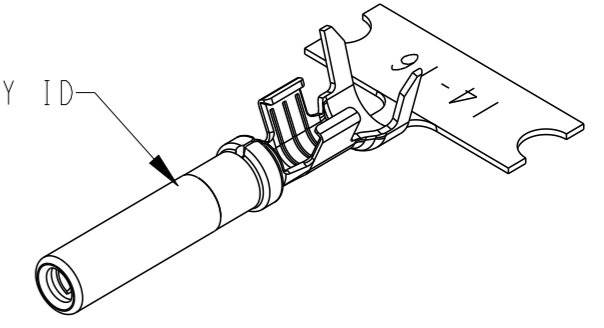
TE Connectivity

THIS DRAWING IS UNPUBLISHED
 RELEASED FOR PUBLICATION 2020
 © COPYRIGHT 2020 BY TE CONNECTIVITY ALL RIGHTS RESERVED.

LOC	DIST	REVISIONS			
P	LTR	DESCRIPTION	DATE	DWN	APVD
	F	REVISED PER ECO-15-007761	28MAY2015	RL	DM
	G	REVISED PER PCN E-20-008101	12JUN2020	DM	DM
	G1	REVISED PER PCN-22-157823	12OCT2022	SP	DM



OPTIONAL TRACEABILITY ID LOCATED ON DIAMETER



5 TIN PLATING MAY BE IN THIS REGION.

4 TIN PLATED REGION.

3 MATERIAL:
 BODY: .012 [0.30] THICK COPPER ALLOY
 SLEEVE: STAINLESS STEEL

2. WIRE RANGE: 18 AWG TO 14 AWG [0.75-2.0 mm²]
 INSULATION RANGE: Ø .095-.150 [Ø 2.41-3.81]

1 GOLD PLATED REGION.

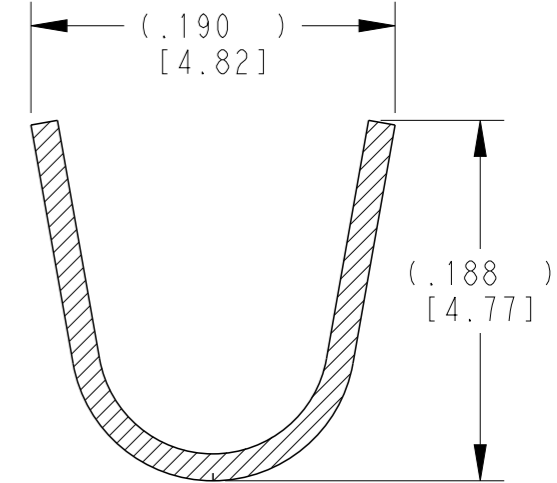
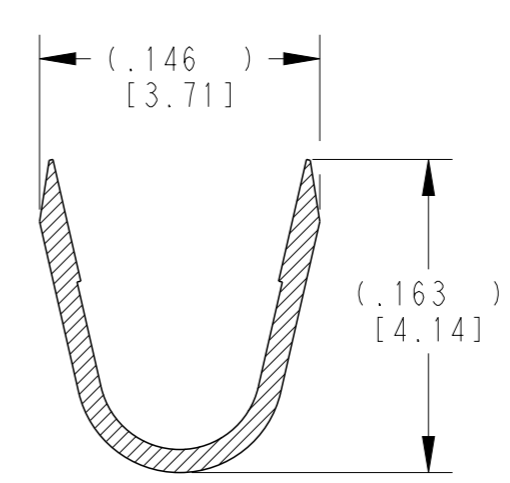
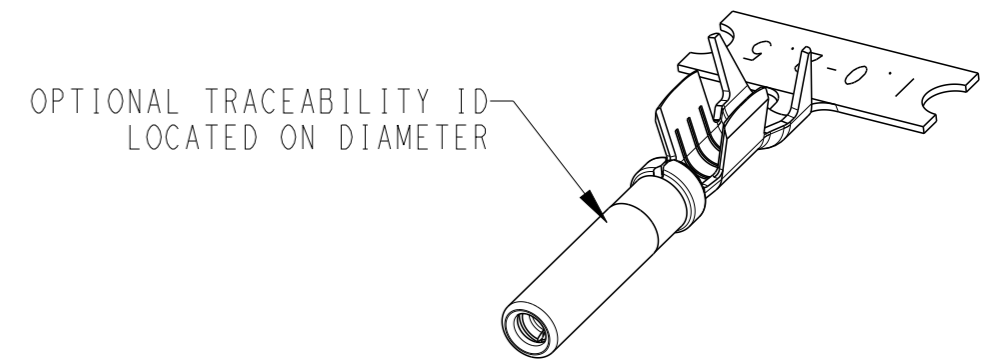
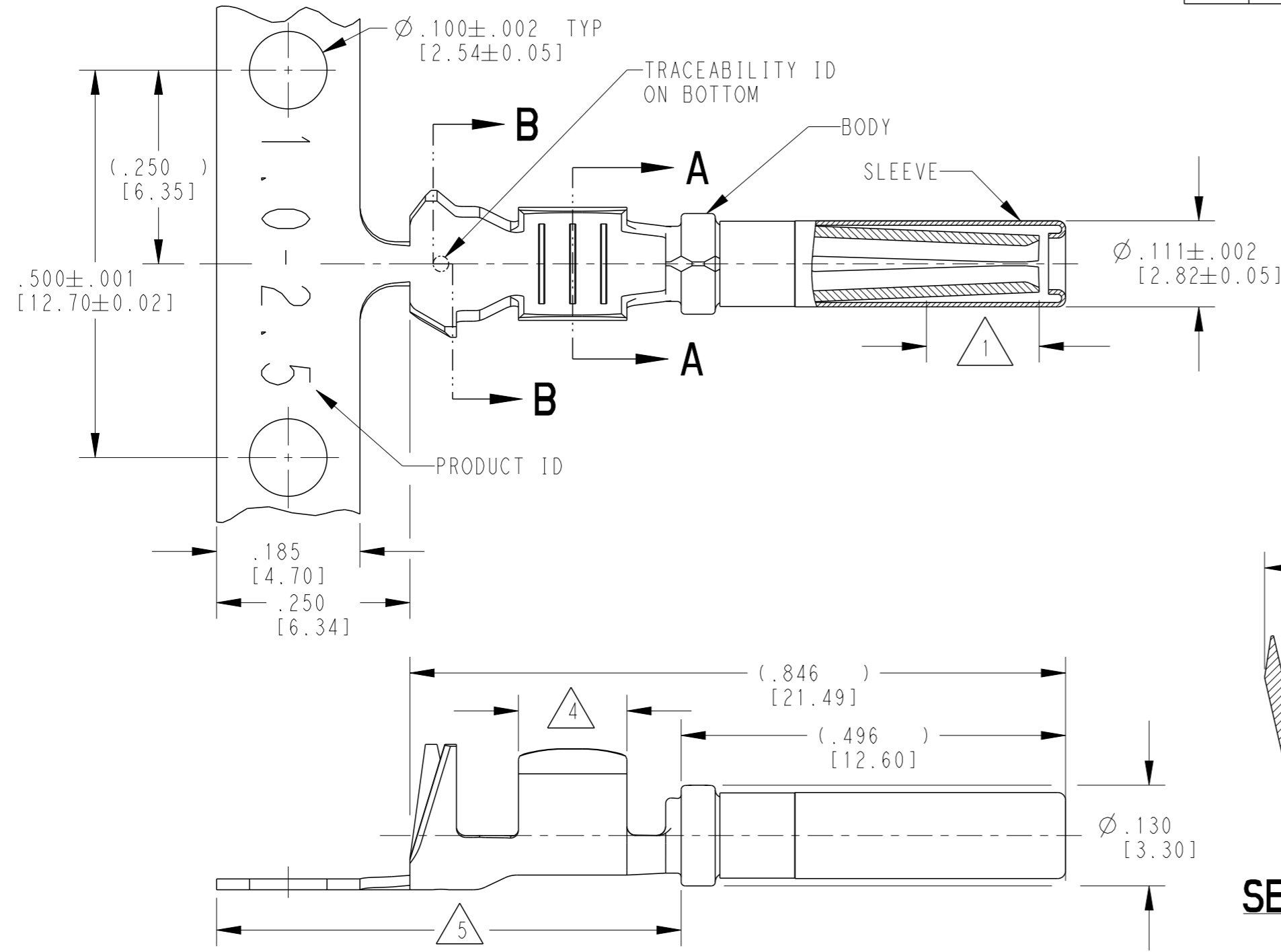
NOTES: UNLESS OTHERWISE SPECIFIED

TE INTERNAL PN	DEUTSCH PN	PLATING
1062-14-0122	1062-14-0122	Ni/Cu overall, Sn/Ni/Cu Wire Barrel
1062-14-0144	1062-14-0144	Selective Au, Ni/Cu overall, Sn/Ni/Cu Wire Barrel
1062-14-0177	1062-14-0177	Sn/Ni/Cu overall

THIS DRAWING IS A CONTROLLED DOCUMENT.		DWN M. BLUM 04NOV1999	TE TE Connectivity	
DIMENSIONS: INCHES [mm]		CHK VLADIMIR TOMSA 04DEC2000		
TOLERANCES UNLESS OTHERWISE SPECIFIED:		APVD R. REED 08DEC2000	NAME SOCKET, STAMPED AND FORMED SIZE 16 14-18AWG	
0 PLC ±		PRODUCT SPEC 108-151000	SIZE A3	
1 PLC ±		APPLICATION SPEC 114-151000	CAGE CODE 4AFU8	DRAWING NO C=1062-14-01XX
2 PLC ±		WEIGHT 0.44 g	RESTRICTED TO -	
3 PLC ±0.025 [0.64]		Customer Drawing		
4 PLC ±		SCALE 6:1 SHEET 1 OF 1 REV G1		
ANGLES ±				
FINISH SEE TABLE				

THIS DRAWING IS UNPUBLISHED
 © COPYRIGHT 2020 BY TE CONNECTIVITY ALL RIGHTS RESERVED.

LOC	DIST	REVISIONS			
P	LTR	DESCRIPTION	DATE	DWN	APVD
	C	REVISED PER ECO-15-007761	28MAY2015	RL	DM
	D	REVISED PER PCN E-20-008101	12JUN2020	DM	DM
	D1	REVISED PER PCN-22-157823	12OCT2022	SP	DM



5 TIN MAY BE IN THIS REGION.

4 TIN PLATED REGION.

3 MATERIAL:
 BODY: .014 [0.36] THICK COPPER ALLOY
 SLEEVE: STAINLESS STEEL

2. WIRE RANGE: 16 AWG TO 12 AWG [1.0-2.5 mm²]
 INSULATION RANGE: Ø.075-.140 [Ø1.91-3.56]

1 GOLD PLATED REGION.

NOTES: UNLESS OTHERWISE SPECIFIED

TE INTERNAL PN	DEUTSCH PN	PLATING
1062-16-1222	1062-16-1222	Ni/Cu overall, Sn/Ni/Cu Wire Barrel
1062-16-1244	1062-16-1244	Selective Au, Ni/Cu overall, Sn/Ni/Cu Wire Barrel
1062-16-1277	1062-16-1277	Sn/Ni/Cu overall

THIS DRAWING IS A CONTROLLED DOCUMENT.		DWN 28 JUN 2000 VLADIMIR TOMSA	TE Connectivity			
DIMENSIONS: mm [INCHES]		CHK 14 MAR 2002 BRICE BYFORD				
TOLERANCES UNLESS OTHERWISE SPECIFIED:		APVD 14 MAR 2000 ROBIN REED	NAME SOCKET, STAMPED AND FORMED SIZE 16 12-16AWG			
0 PLC ± 1 PLC ± 2 PLC ± 3 PLC ±.025 [0.64] 4 PLC ± ANGLES ±		PRODUCT SPEC 108-151000	SIZE A3	CAGE CODE 4AFU8	DRAWING NO C=1062-16-12XX	RESTRICTED TO -
MATERIAL 3		FINISH SEE TABLE	WEIGHT 0.50 g	SCALE 6:1	SHEET 1 OF 1	REV D1
Customer Drawing						